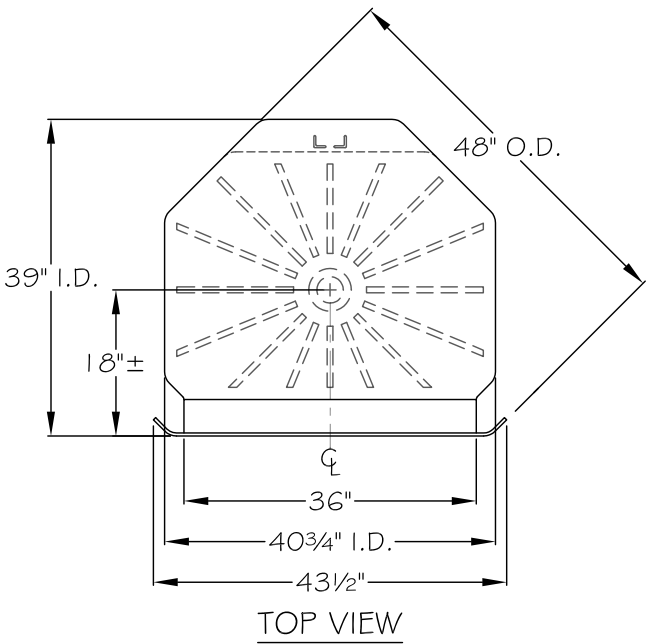


THIS DRAWING IS FOR SUBMITTAL PURPOSES ONLY. THIS DRAWINGS SHOULD NOT BE USED FOR INSTALLATION OF THIS UNIT. REFER TO AQUA BATH'S INSTALLATION INSTRUCTIONS FOR FRAMING AND ROUGH-IN DIMINSIONS.

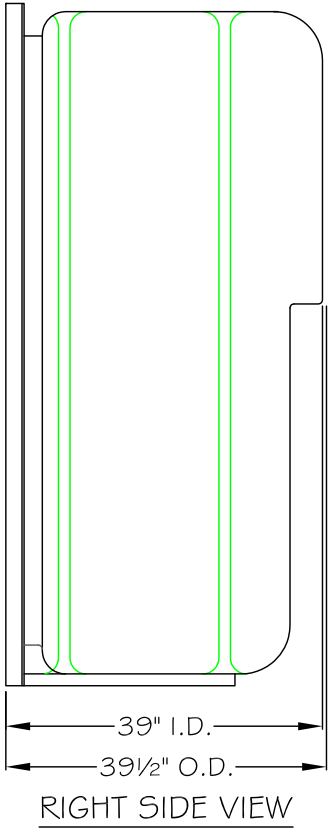
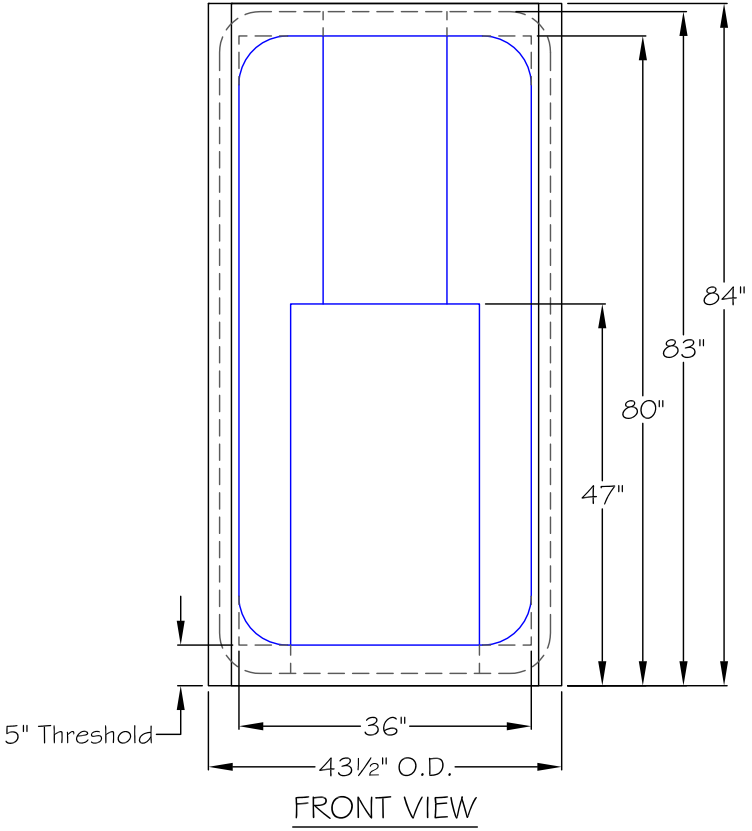


**GENERAL NOTES:**

Dimensions are Diagrammatical only.  
Contractor to Field Verify conditions prior to installation. Due to the nature of materials used, Manufacturing Tolerance of ( $\pm 1/4$ ).

**NOTE:**

If the guidelines for installation are not followed in detail the risk of inadequate water drainage could be the results.



SYMMETRICAL UNIT SHOWN, HAND TBD IN FIELD

REV.	DR.	DATE	DESCRIPTION

**AQUA BATH CO.**  
921 CHEROKEE AVENUE  
NASHVILLE, TN 37207

TITLE: Acrylic Corner Shower  
MODEL NO.: AB3639SH  
DRWG NO.:  
DRN BY:  
DATE:  
SCALE: 1/2" = 1'-0"