

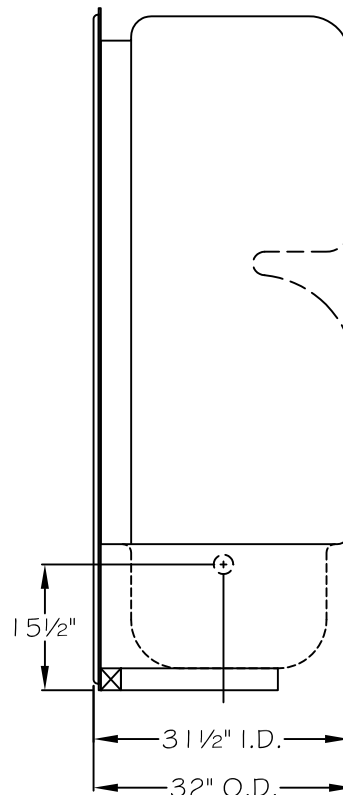
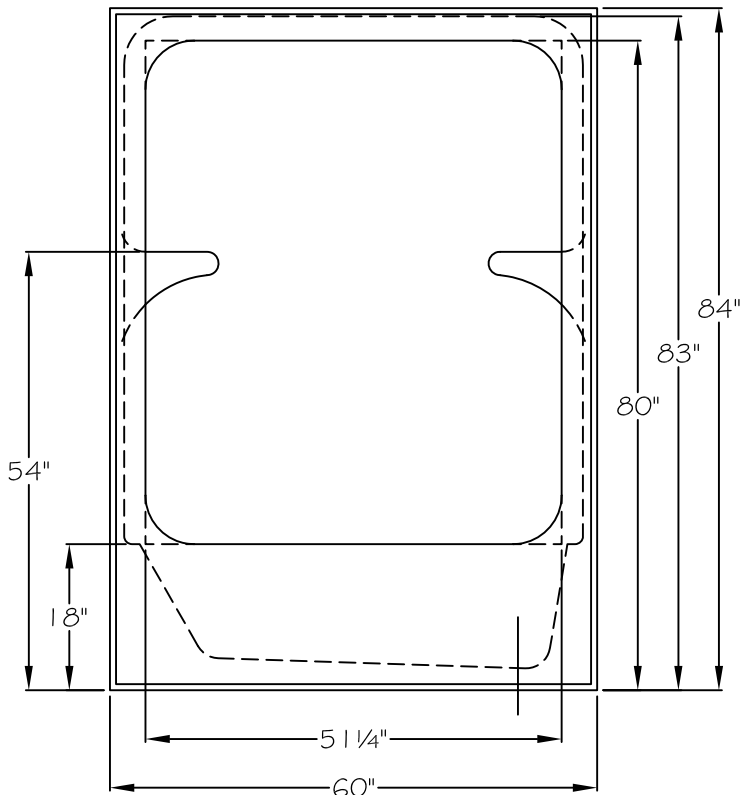
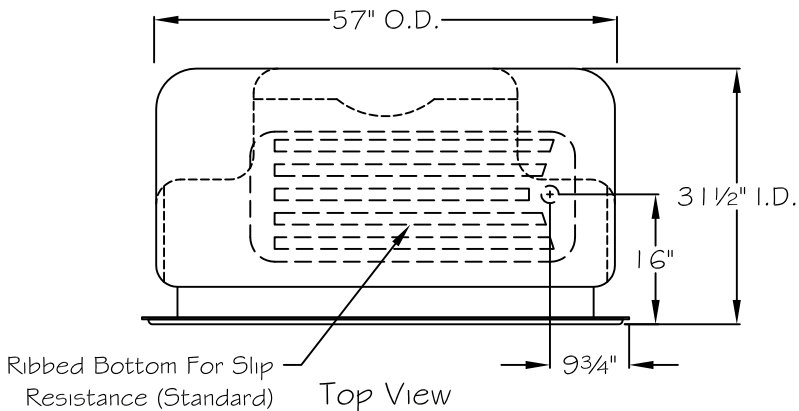
THIS DRAWING IS FOR SUBMITTAL PURPOSES ONLY. THIS DRAWINGS SHOULD NOT BE USED FOR INSTALLATION OF THIS UNIT. REFER TO AQUA BATH'S INSTALLATION INSTRUCTIONS FOR FRAMING AND ROUGH-IN DIMINSIONS.

**GENERAL NOTES:**

Dimensions are Diagrammatical only. Contractor to Field Verify conditions prior to installation. Due to the nature of materials used, Manufacturing Tolerance of ( $\pm 1/4$ ).

**NOTE:**

If the guidelines for installation are not followed in detail the risk of inadequate water drainage could be the results.



Front View

Right Side View

RIGHT HAND UNIT SHOWN

**AQUA BATH CO.**

921 CHEROKEE AVENUE  
NASHVILLE, TN 37207

REV.	DR.	DATE	DESCRIPTION

Title:	Acrylic Tub/Shower	Drawn By:	
Model #:	AB6032TS	Date:	
Drawing #:		Scale:	1/2" = 1'-0"