

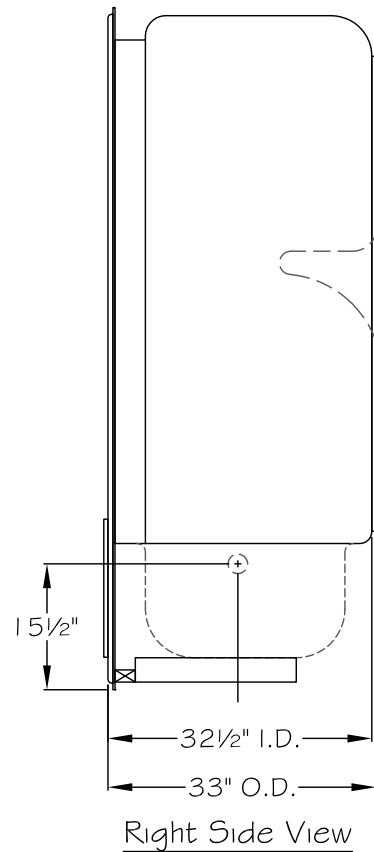
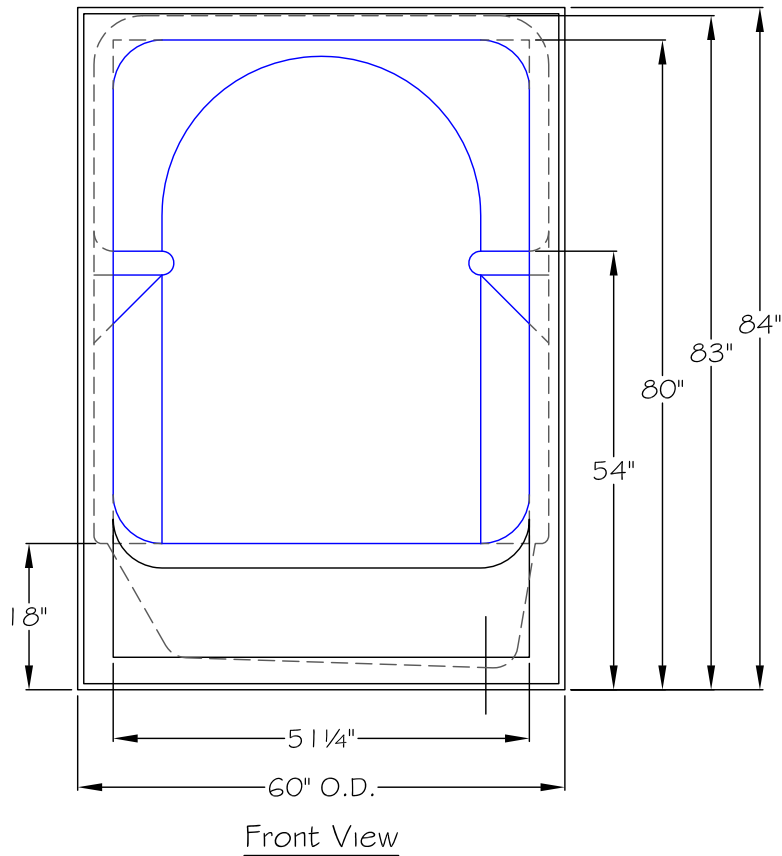
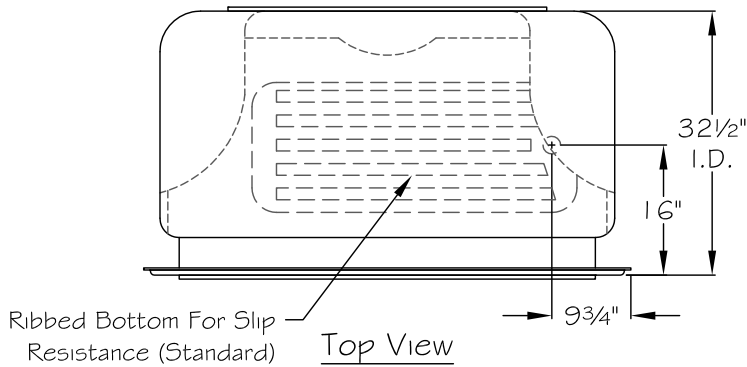
THIS DRAWING IS FOR SUBMITTAL PURPOSES ONLY. THIS DRAWINGS SHOULD NOT BE USED FOR INSTALLATION OF THIS UNIT. REFER TO AQUA BATH'S INSTALLATION INSTRUCTIONS FOR FRAMING AND ROUGH-IN DIMINSIONS.

GENERAL NOTES:

Dimensions are Diagrammatical only.
Contractor to Field Verify conditions prior to installation. Due to the nature of materials used, Manufacturing Tolerance of ($\pm 1/4$).

NOTE:

If the guidelines for installation are not followed in detail the risk of inadequate water drainage could be the results.



RIGHT HAND UNIT SHOWN

				AQUA BATH CO.	
				921 CHEROKEE AVENUE NASHVILLE, TN 37207	
REV.	DR.	DATE	DESCRIPTION	TITLE:	DRN BY:
				Acrylic Tub / Shower	DATE:
				MODEL NO.: AB6033TS	
				DRWG NO.:	SCALE: 1/2" = 1'-0"