

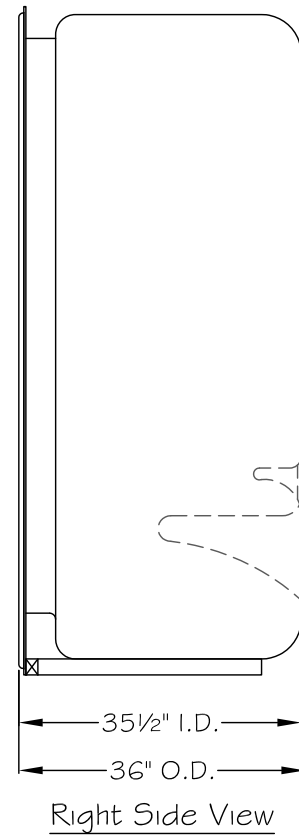
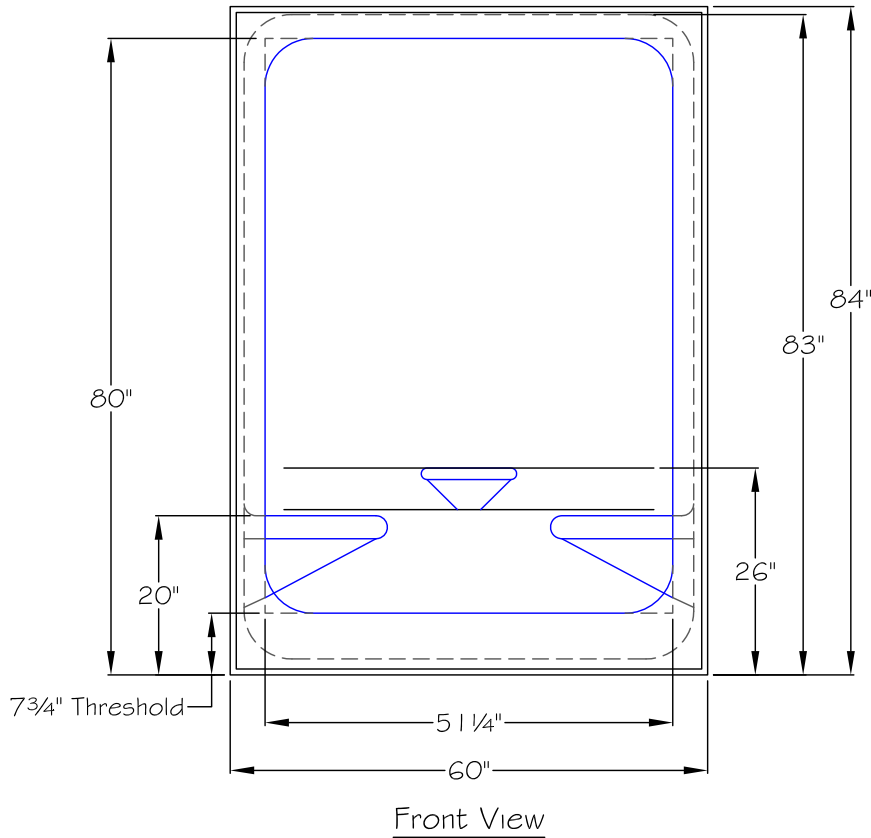
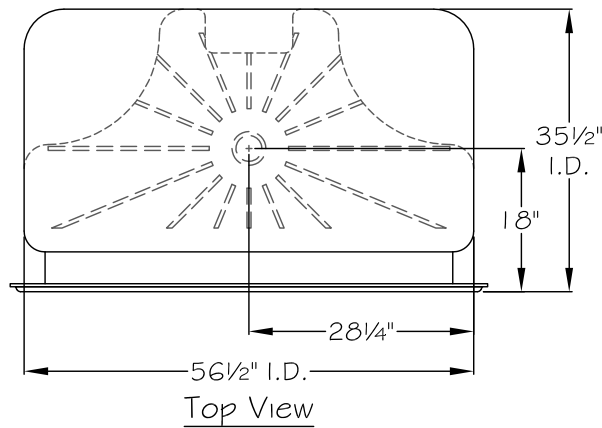
THIS DRAWING IS FOR SUBMITTAL PURPOSES ONLY. THIS DRAWINGS SHOULD NOT BE USED FOR INSTALLATION OF THIS UNIT. REFER TO AQUA BATH'S INSTALLATION INSTRUCTIONS FOR FRAMING AND ROUGH-IN DIMENSIONS.

GENERAL NOTES:

Dimensions are Diagrammatical only.
Contractor to Field Verify conditions prior to installation. Due to the nature of materials used, Manufacturing Tolerance of ($\pm 1/4$).

NOTE:

If the guidelines for installation are not followed in detail the risk of inadequate water drainage could be the results.



SYMMETRICAL UNIT SHOWN, HAND TBD IN FIELD

AQUA BATH CO.
921 CHEROKEE AVENUE
NASHVILLE, TN 37207

REV.	DR.	DATE	DESCRIPTION

TITLE: Acrylic Shower Stall	DRN BY:
MODEL NO.: ABG036SH	DATE:
DRWG NO.:	SCALE: 1/2" = 1'-0"