

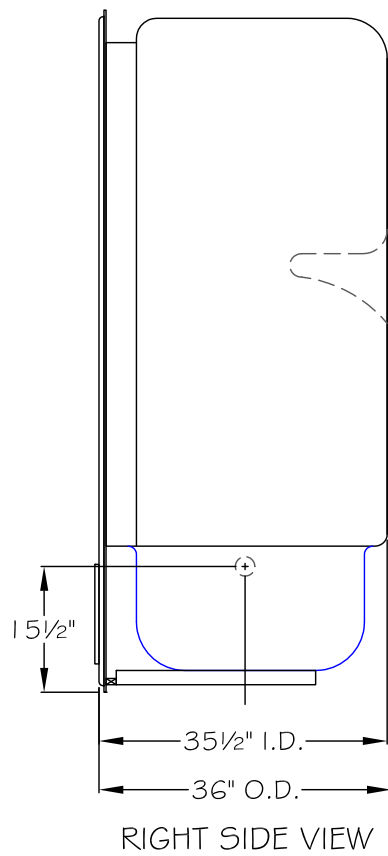
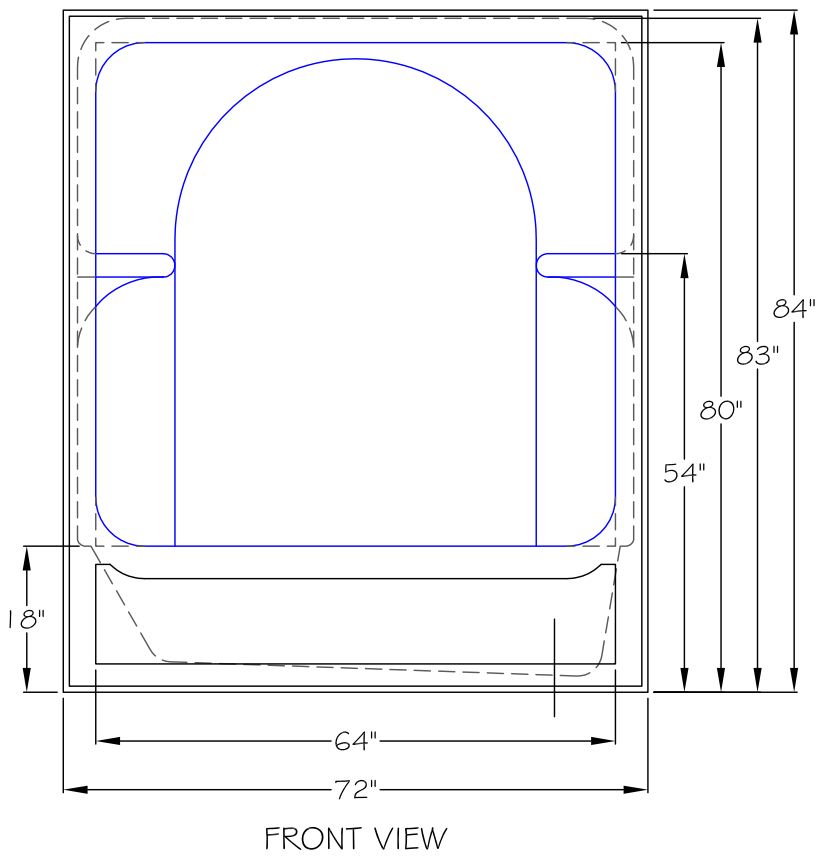
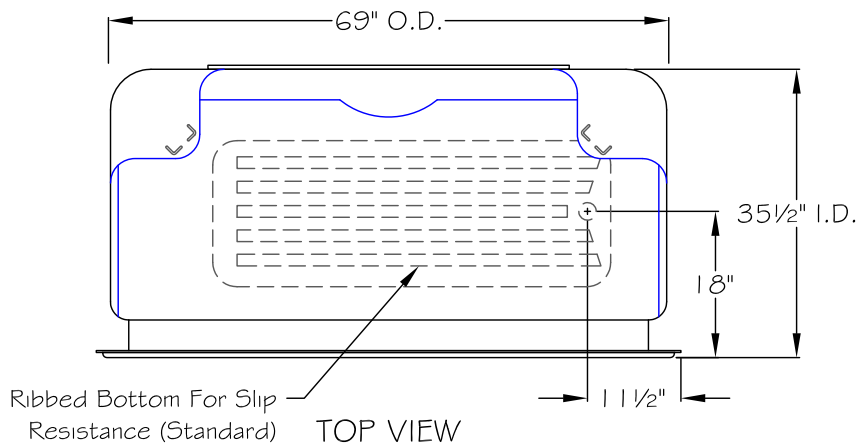
THIS DRAWING IS FOR SUBMITTAL PURPOSES ONLY. THIS DRAWINGS SHOULD NOT BE USED FOR INSTALLATION OF THIS UNIT. REFER TO AQUA BATH'S INSTALLATION INSTRUCTIONS FOR FRAMING AND ROUGH-IN DIMINSIONS.

GENERAL NOTES:

Dimensions are Diagrammatical only. Contractor to Field Verify conditions prior to installation. Due to the nature of materials used, Manufacturing Tolerance of ($\pm 1/4$).

NOTE:

If the guidelines for installation are not followed in detail the risk of inadequate water drainage could be the results.



RIGHT HAND UNIT SHOWN

REV.	DR.	DATE	DESCRIPTION

AQUA BATH CO.
 921 CHEROKEE AVENUE
 NASHVILLE, TN 37207

TITLE: Acrylic Tub / Shower	DRN BY:
MODEL NO.: AB7236TS	DATE:
DRWG NO.:	SCALE: 1/2" = 1'-0"