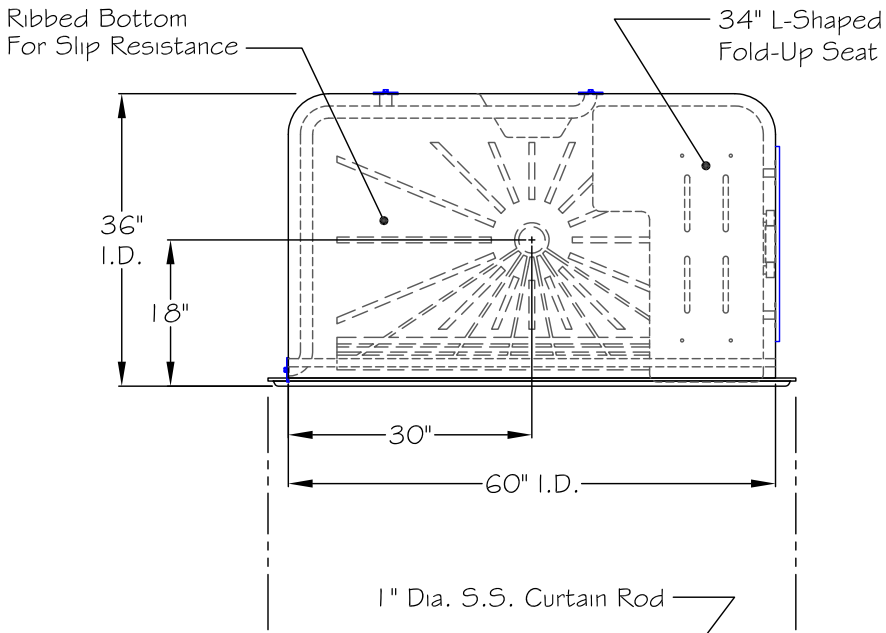


THIS DRAWING IS FOR SUBMITTAL PURPOSES ONLY. THIS DRAWINGS SHOULD NOT BE USED FOR INSTALLATION OF THIS UNIT. REFER TO AQUA BATH'S INSTALLATION INSTRUCTIONS FOR FRAMING AND ROUGH-IN DIMENSIONS.

Top View

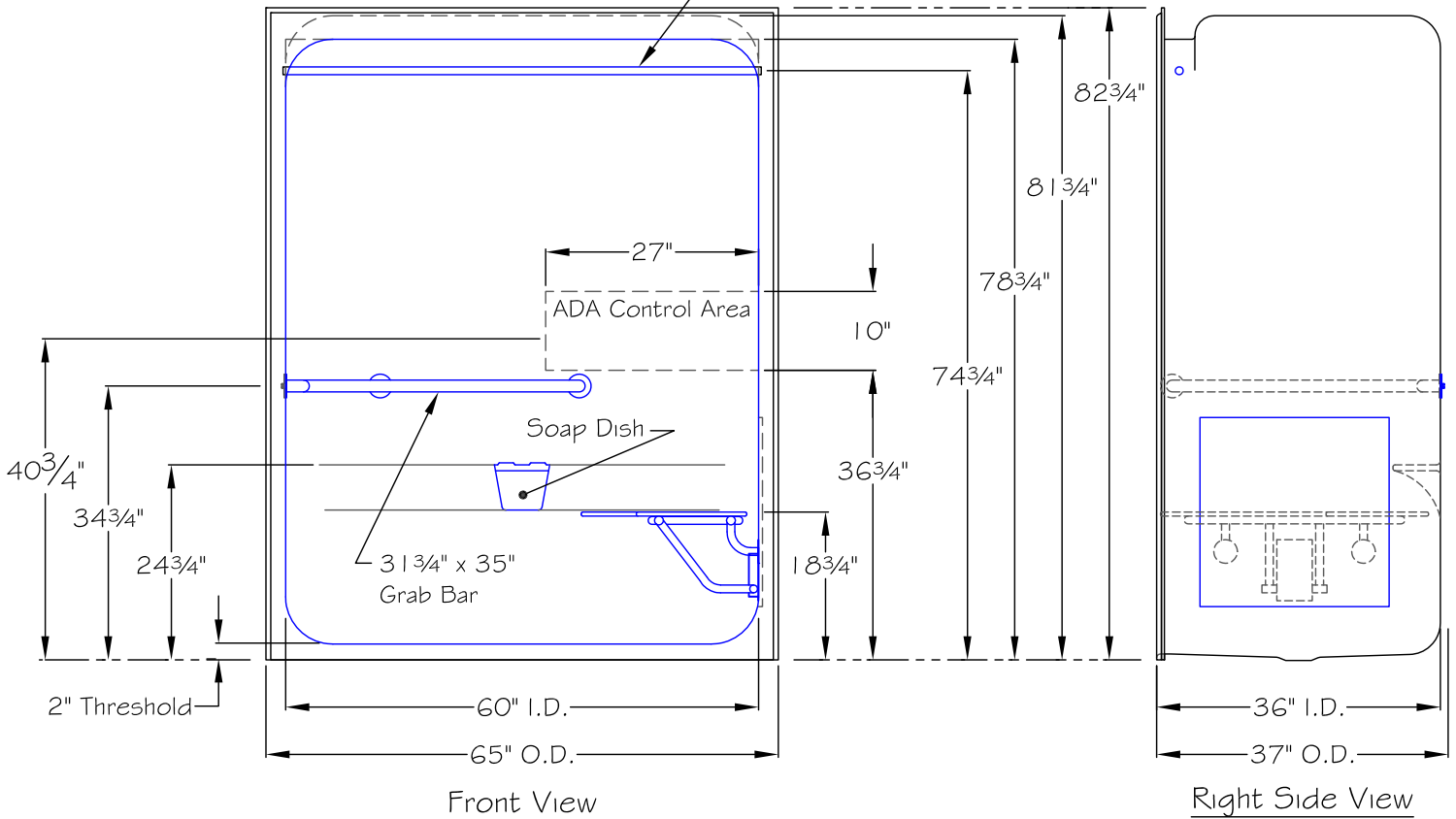


GENERAL NOTES:

Dimensions are Diagrammatical only. Contractor to Field Verify conditions prior to installation. Due to the nature of materials used, Manufacturing Tolerance of ($\pm 1/4$).

NOTE:

If the guidelines for installation are not followed in detail the risk of inadequate water drainage could be the results.



C6536BF-FUS 2"

RIGHT HAND UNIT SHOWN

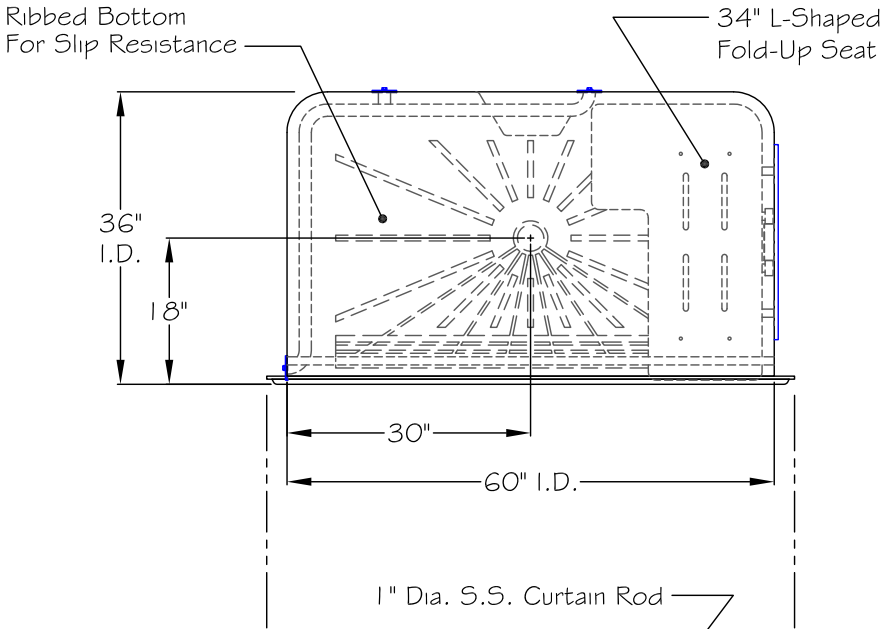
AQUA BATH CO.
 921 CHEROKEE AVENUE
 NASHVILLE, TN 37207

REV.	DR.	DATE	DESCRIPTION

Title:	ADA Roll-In Shower	Drawn By:	
Model #:	C6536BF-FUS 2"	Date:	
Drawing #:		Scale:	1/2" = 1'-0"

THIS DRAWING IS FOR SUBMITTAL PURPOSES ONLY. THIS DRAWINGS SHOULD NOT BE USED FOR INSTALLATION OF THIS UNIT. REFER TO AQUA BATH'S INSTALLATION INSTRUCTIONS FOR FRAMING AND ROUGH-IN DIMENSIONS.

Top View

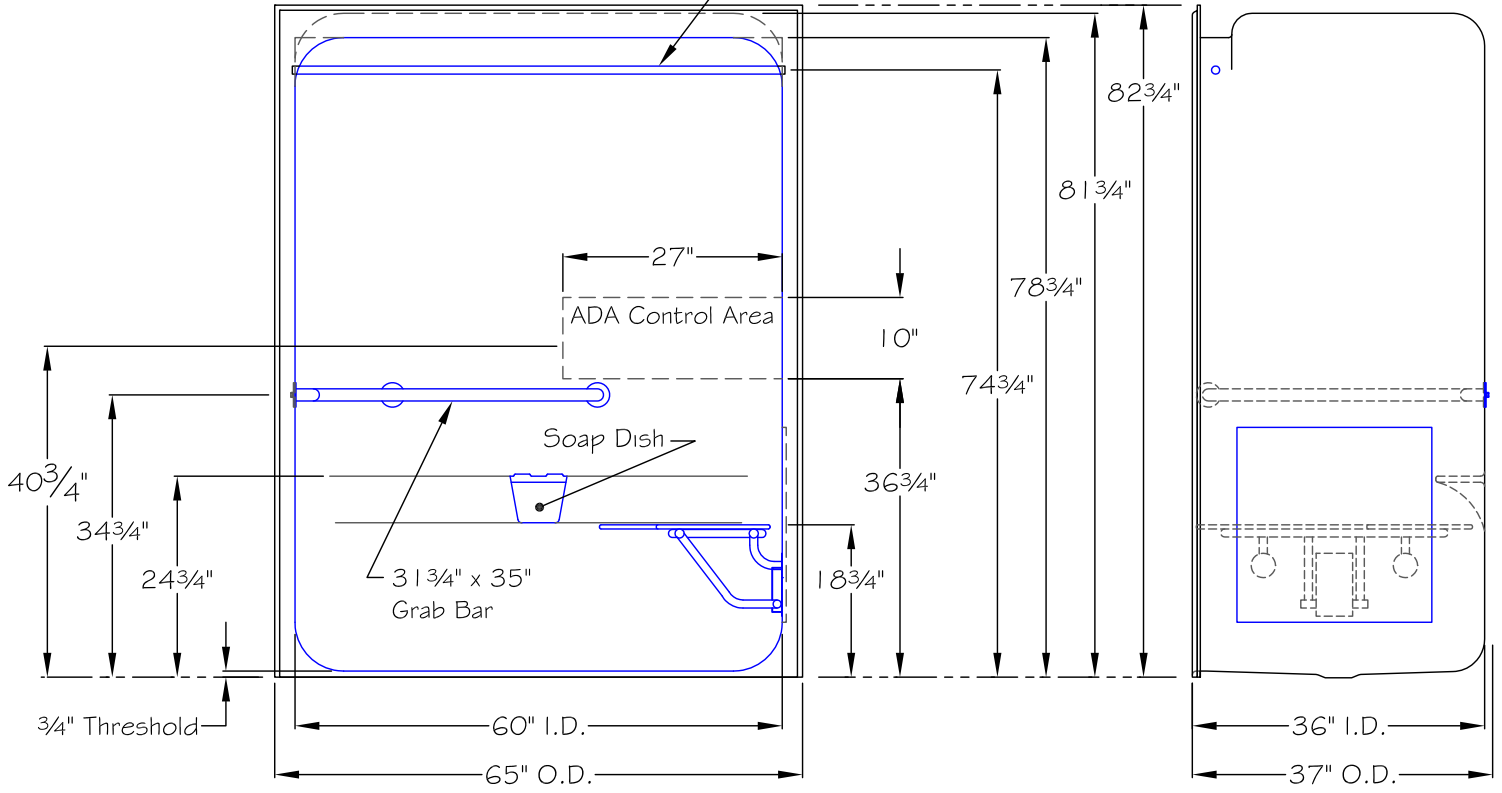


GENERAL NOTES:

Dimensions are Diagrammatical only. Contractor to Field Verify conditions prior to installation. Due to the nature of materials used, Manufacturing Tolerance of ($\pm 1/4$).

NOTE:

If the guidelines for installation are not followed in detail the risk of inadequate water drainage could be the results.



Front View

Right Side View

C6536BF-FUS 3/4"

RIGHT HAND UNIT SHOWN

AQUA BATH CO.
 921 CHEROKEE AVENUE
 NASHVILLE, TN 37207

REV.	DR.	DATE	DESCRIPTION

Title:	ADA Roll-In Shower	Drawn By:	
Model #:	C6536BF-FUS 3/4"	Date:	
Drawing #:		Scale:	1/2" = 1'-0"

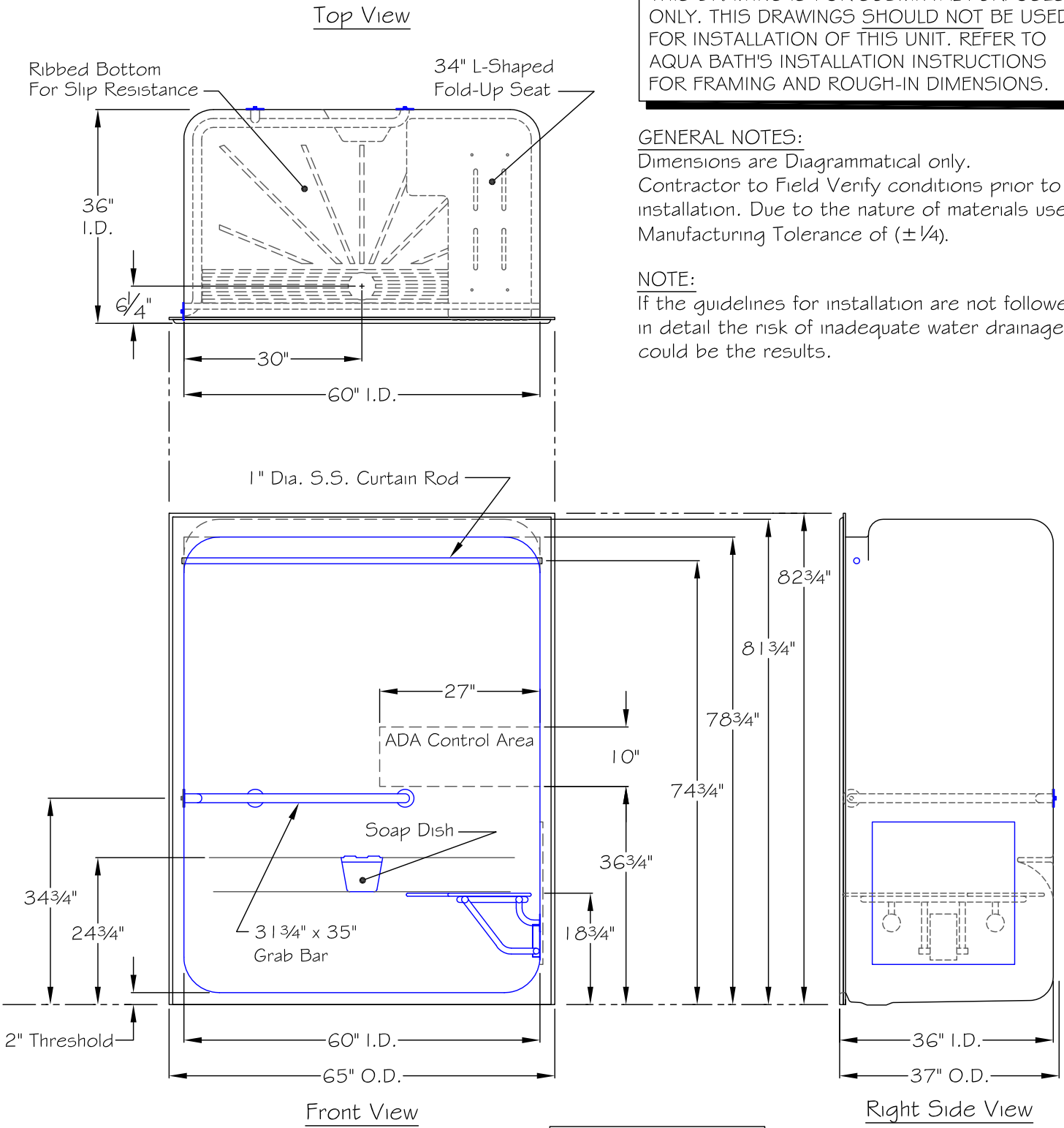
THIS DRAWING IS FOR SUBMITTAL PURPOSES ONLY. THIS DRAWINGS SHOULD NOT BE USED FOR INSTALLATION OF THIS UNIT. REFER TO AQUA BATH'S INSTALLATION INSTRUCTIONS FOR FRAMING AND ROUGH-IN DIMENSIONS.

GENERAL NOTES:

Dimensions are Diagrammatical only.
Contractor to Field Verify conditions prior to installation. Due to the nature of materials used, Manufacturing Tolerance of (± 1/4).

NOTE:

If the guidelines for installation are not followed in detail the risk of inadequate water drainage could be the results.



C6536TD-FUS 2"

RIGHT HAND UNIT SHOWN

				<h1>AQUA BATH CO.</h1> <p>921 CHEROKEE AVENUE NASHVILLE, TN 37207</p>	
REV.	DR.	DATE	DESCRIPTION	Title:	Drawn By:
				ADA Roll-In Shower	Date:
				Model #:	C6536TD-FUS 2"
				Drawing #:	Scale: 1/2" = 1'-0"

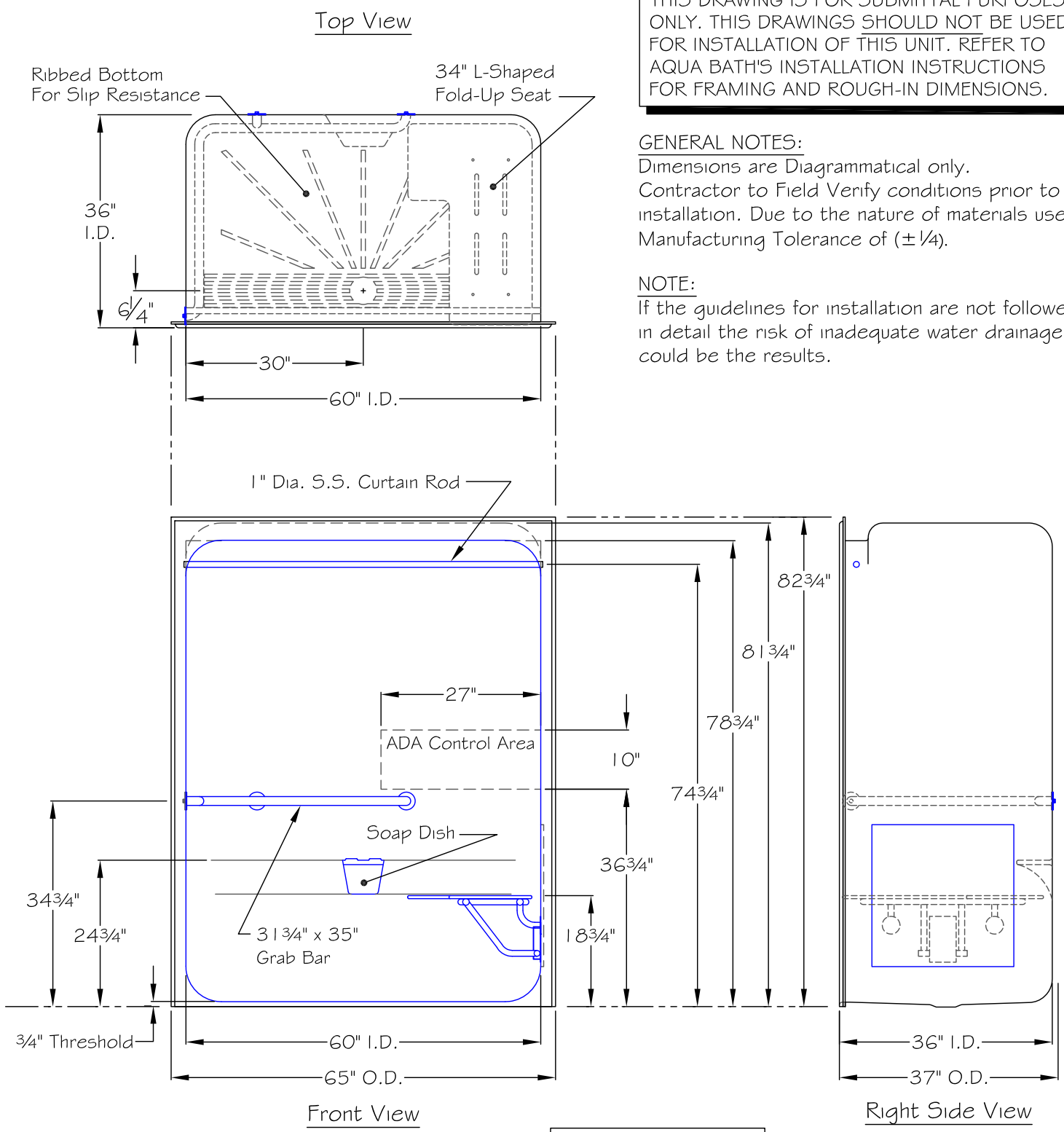
THIS DRAWING IS FOR SUBMITTAL PURPOSES ONLY. THIS DRAWINGS SHOULD NOT BE USED FOR INSTALLATION OF THIS UNIT. REFER TO AQUA BATH'S INSTALLATION INSTRUCTIONS FOR FRAMING AND ROUGH-IN DIMENSIONS.

GENERAL NOTES:

Dimensions are Diagrammatical only. Contractor to Field Verify conditions prior to installation. Due to the nature of materials used, Manufacturing Tolerance of ($\pm 1/4$).

NOTE:

If the guidelines for installation are not followed in detail the risk of inadequate water drainage could be the results.



C6536TD-FUS 3/4"

RIGHT HAND UNIT SHOWN

AQUA BATH CO.
 921 CHEROKEE AVENUE
 NASHVILLE, TN 37207

REV.	DR.	DATE	DESCRIPTION

Title:	ADA Roll-In Shower	Drawn By:	
Model #:	C6536TD-FUS 3/4"	Date:	
Drawing #:		Scale:	1/2" = 1'-0"