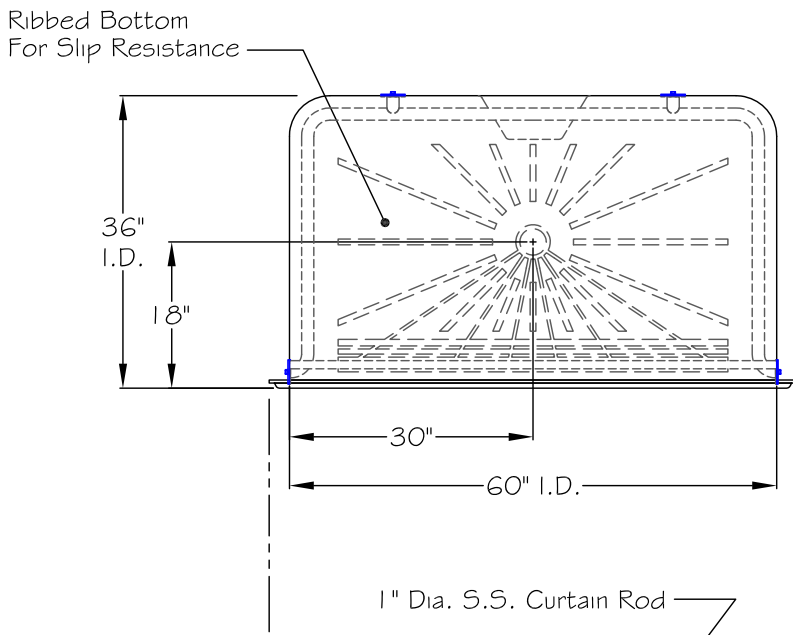


Top View



THIS DRAWING IS FOR SUBMITTAL PURPOSES ONLY. THIS DRAWINGS SHOULD NOT BE USED FOR INSTALLATION OF THIS UNIT. REFER TO AQUA BATH'S INSTALLATION INSTRUCTIONS FOR FRAMING AND ROUGH-IN DIMENSIONS.

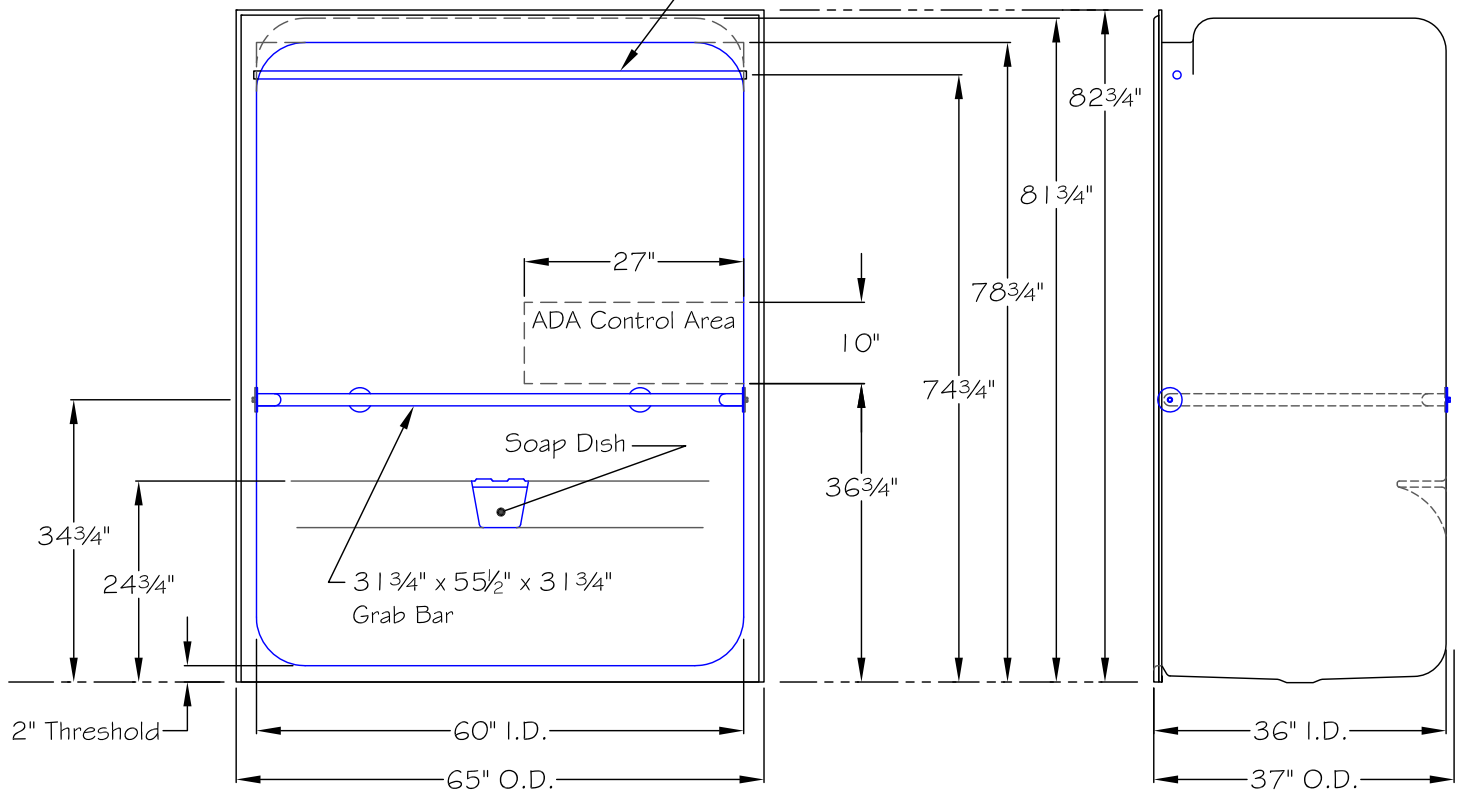
GENERAL NOTES:

Dimensions are Diagrammatical only. Contractor to Field Verify conditions prior to installation. Due to the nature of materials used, Manufacturing Tolerance of ($\pm 1/4$).

NOTE:

If the guidelines for installation are not followed in detail the risk of inadequate water drainage could be the results.

1" Dia. S.S. Curtain Rod



Front View

Right Side View

C6536BF- 2"

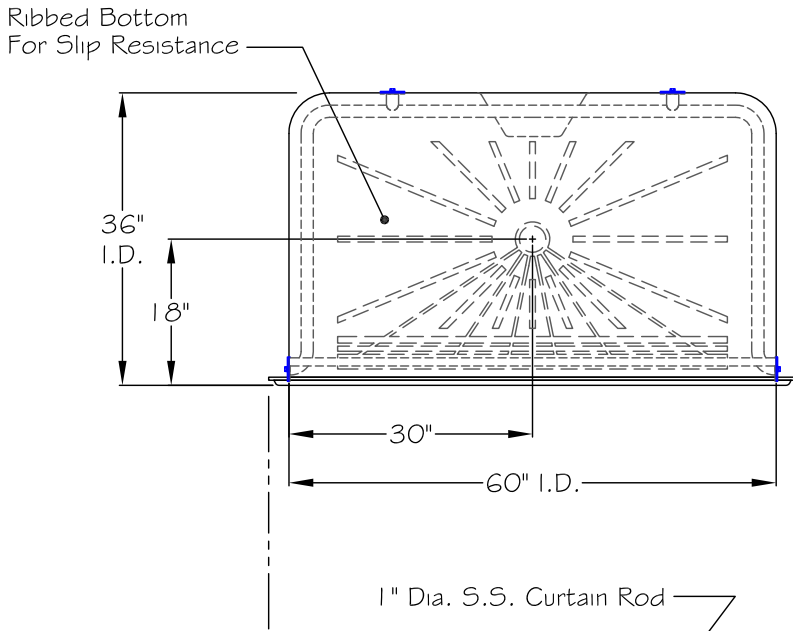
RIGHT HAND UNIT SHOWN

AQUA BATH CO.
 921 CHEROKEE AVENUE
 NASHVILLE, TN 37207

REV.	DR.	DATE	DESCRIPTION
			ORIGINAL

Title:	ADA Roll-In Shower	Drawn By:	
Model #:	C6536BF-2"	Date:	
Drawing #:		Scale:	1/2" = 1'-0"

Top View



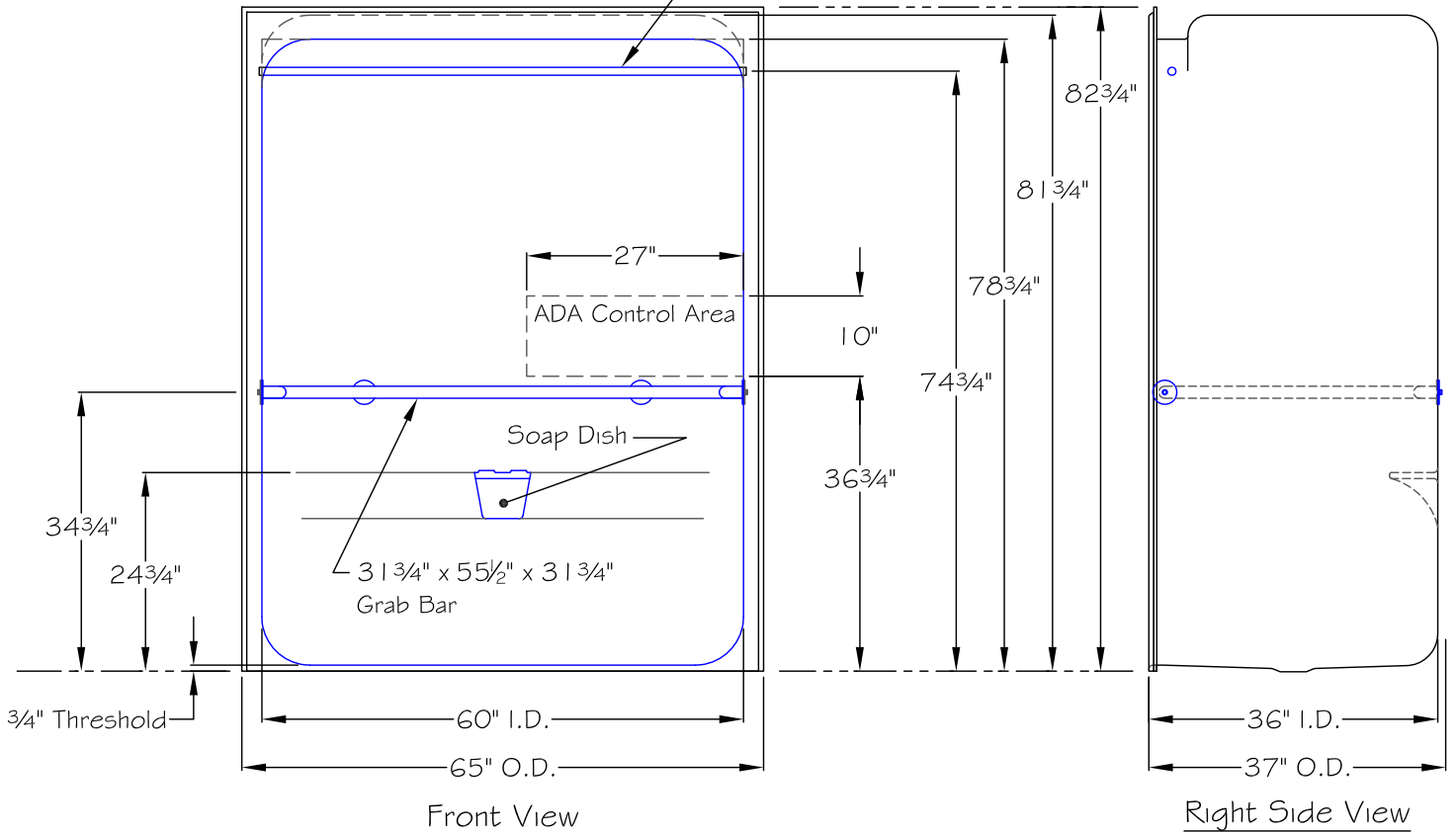
THIS DRAWING IS FOR SUBMITTAL PURPOSES ONLY. THIS DRAWINGS SHOULD NOT BE USED FOR INSTALLATION OF THIS UNIT. REFER TO AQUA BATH'S INSTALLATION INSTRUCTIONS FOR FRAMING AND ROUGH-IN DIMENSIONS.

GENERAL NOTES:

Dimensions are Diagrammatical only.
Contractor to Field Verify conditions prior to installation. Due to the nature of materials used, Manufacturing Tolerance of ($\pm 1/4$).

NOTE:

If the guidelines for installation are not followed in detail the risk of inadequate water drainage could be the results.



C6536BF- 3/4"

RIGHT HAND UNIT SHOWN

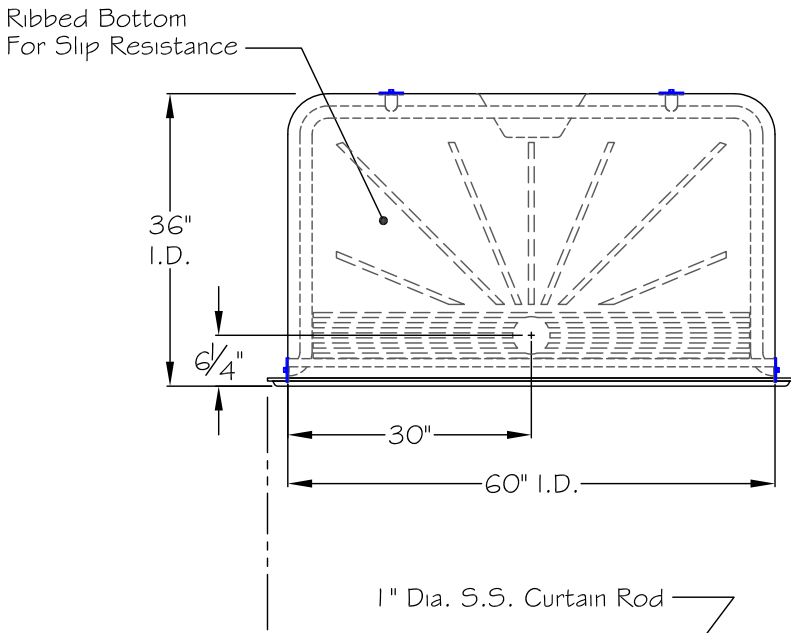
AQUA BATH CO.
921 CHEROKEE AVENUE
NASHVILLE, TN 37207

REV.	DR.	DATE	DESCRIPTION
			ORIGINAL

Title:	ADA Roll-In Shower	Drawn By:	
Model #:	C6536BF-3/4"	Date:	
Drawing #:		Scale:	1/2" = 1'-0"

THIS DRAWING IS FOR SUBMITTAL PURPOSES ONLY. THIS DRAWINGS SHOULD NOT BE USED FOR INSTALLATION OF THIS UNIT. REFER TO AQUA BATH'S INSTALLATION INSTRUCTIONS FOR FRAMING AND ROUGH-IN DIMENSIONS.

Top View



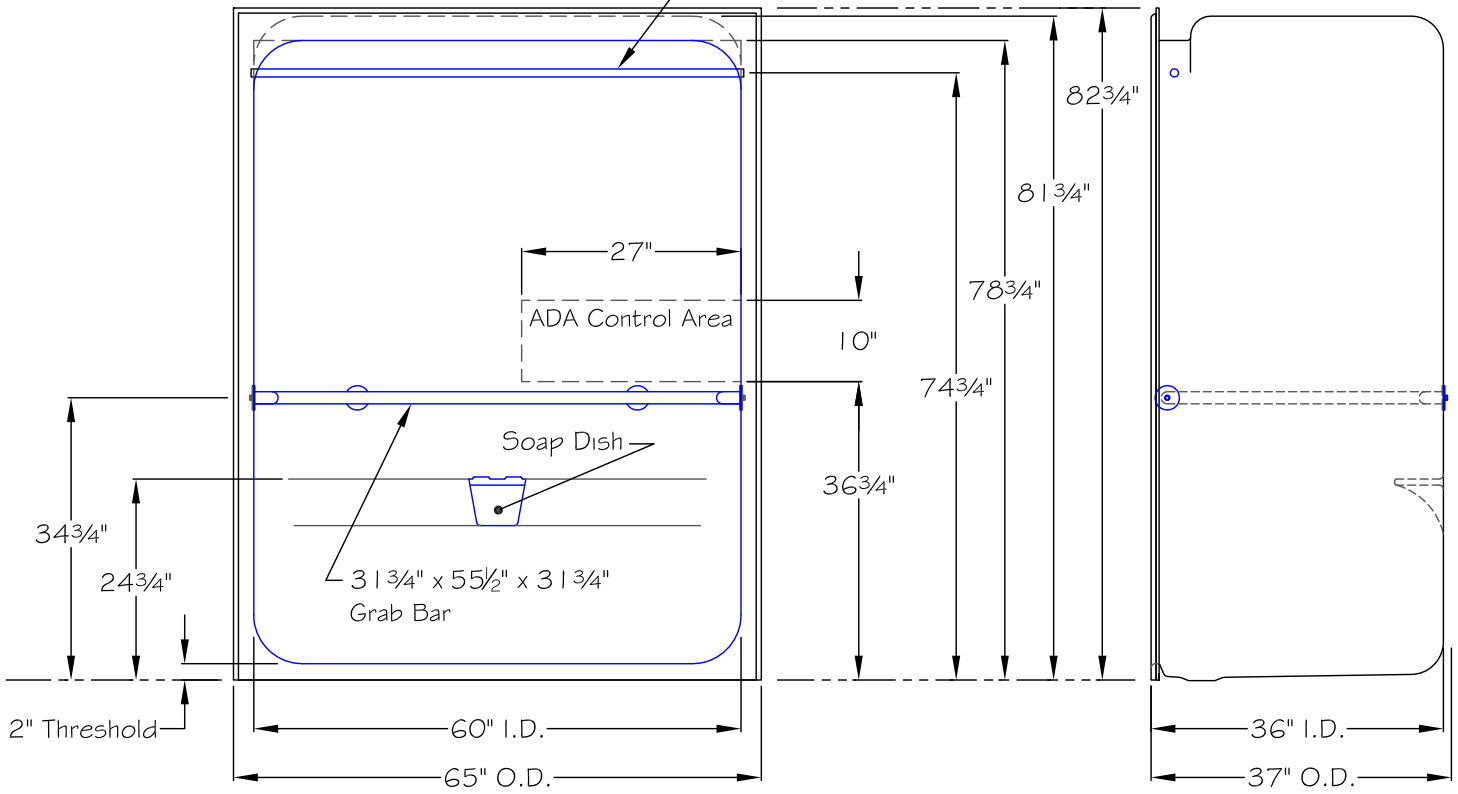
GENERAL NOTES:

Dimensions are Diagrammatical only. Contractor to Field Verify conditions prior to installation. Due to the nature of materials used, Manufacturing Tolerance of ($\pm 1/4$).

NOTE:

If the guidelines for installation are not followed in detail the risk of inadequate water drainage could be the results.

1" Dia. S.S. Curtain Rod



Front View

Right Side View

C6536TD- 2"

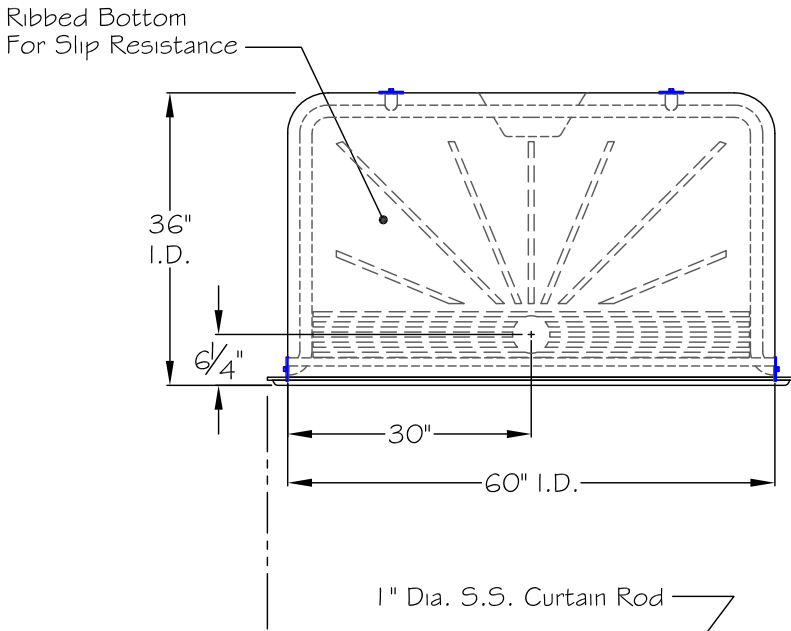
RIGHT HAND UNIT SHOWN

AQUA BATH CO.
 921 CHEROKEE AVENUE
 NASHVILLE, TN 37207

REV.	DR.	DATE	DESCRIPTION

Title:	ADA Roll-In Shower	Drawn By:	
Model #:	C6536TD-2"	Date:	
Drawing #:		Scale:	1/2" = 1'-0"

Top View



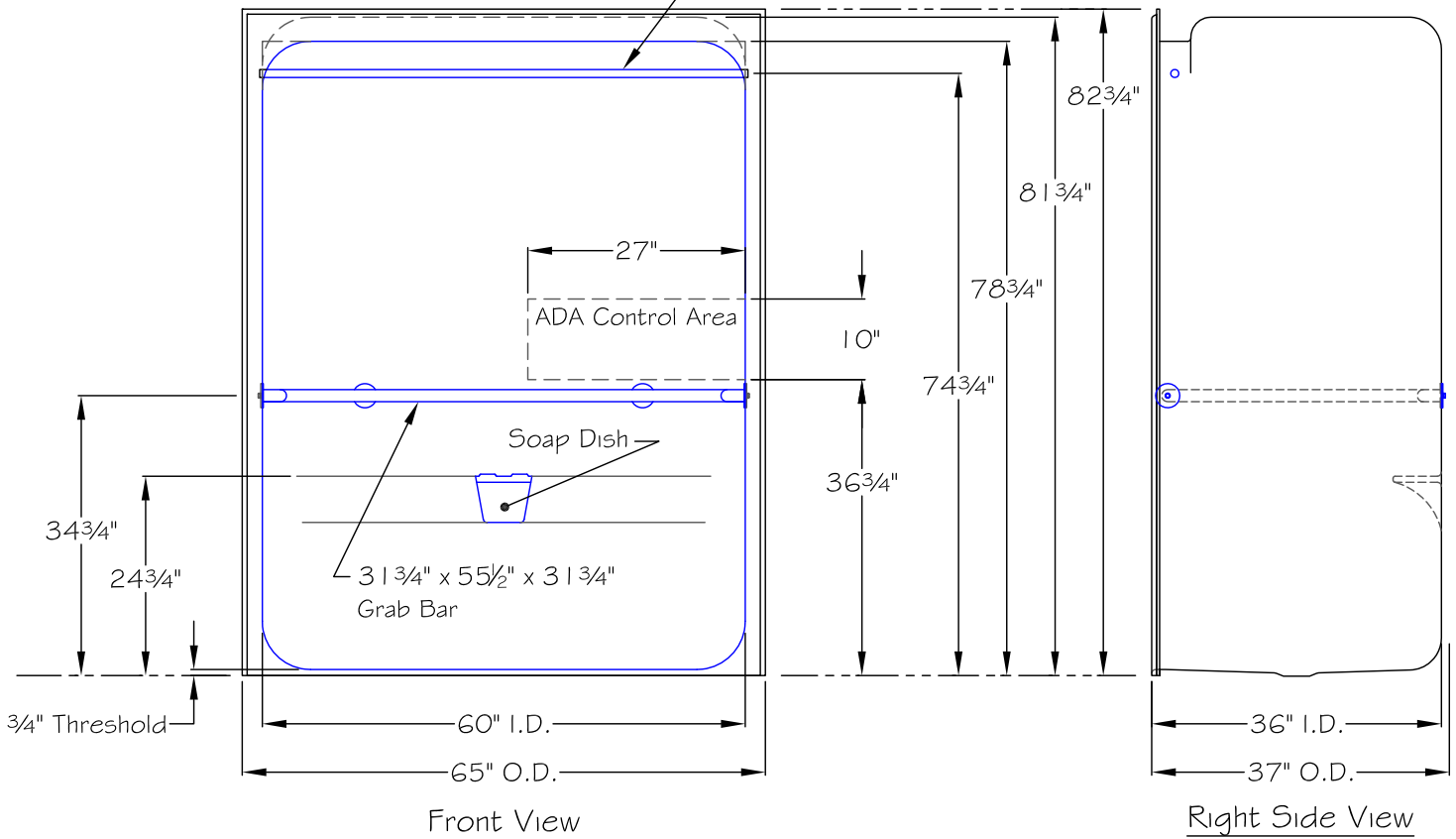
THIS DRAWING IS FOR SUBMITTAL PURPOSES ONLY. THIS DRAWINGS SHOULD NOT BE USED FOR INSTALLATION OF THIS UNIT. REFER TO AQUA BATH'S INSTALLATION INSTRUCTIONS FOR FRAMING AND ROUGH-IN DIMENSIONS.

GENERAL NOTES:

Dimensions are Diagrammatical only.
Contractor to Field Verify conditions prior to installation. Due to the nature of materials used, Manufacturing Tolerance of ($\pm 1/4$).

NOTE:

If the guidelines for installation are not followed in detail the risk of inadequate water drainage could be the results.



C6536TD- 3/4"

RIGHT HAND UNIT SHOWN

AQUA BATH CO.
921 CHEROKEE AVENUE
NASHVILLE, TN 37207

REV.	DR.	DATE	DESCRIPTION

Title:	ADA Roll-In Shower	Drawn By:	
Model #:	C6536TD- 3/4"	Date:	
Drawing #:		Scale:	1/2" = 1'-0"