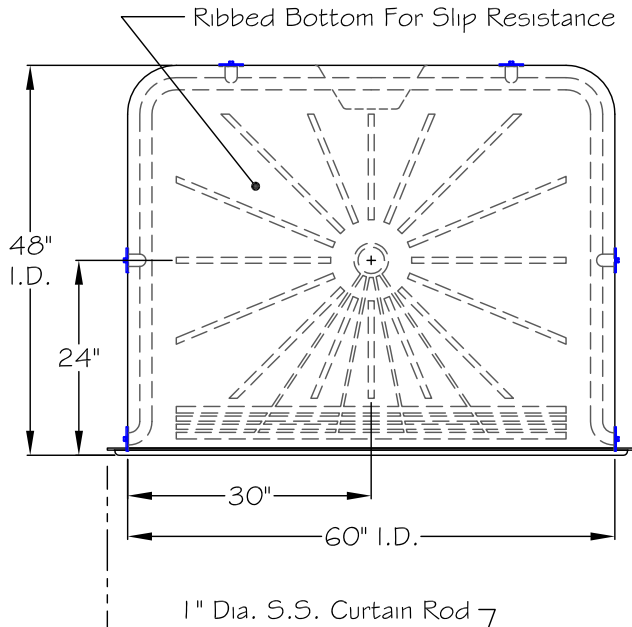


Top View



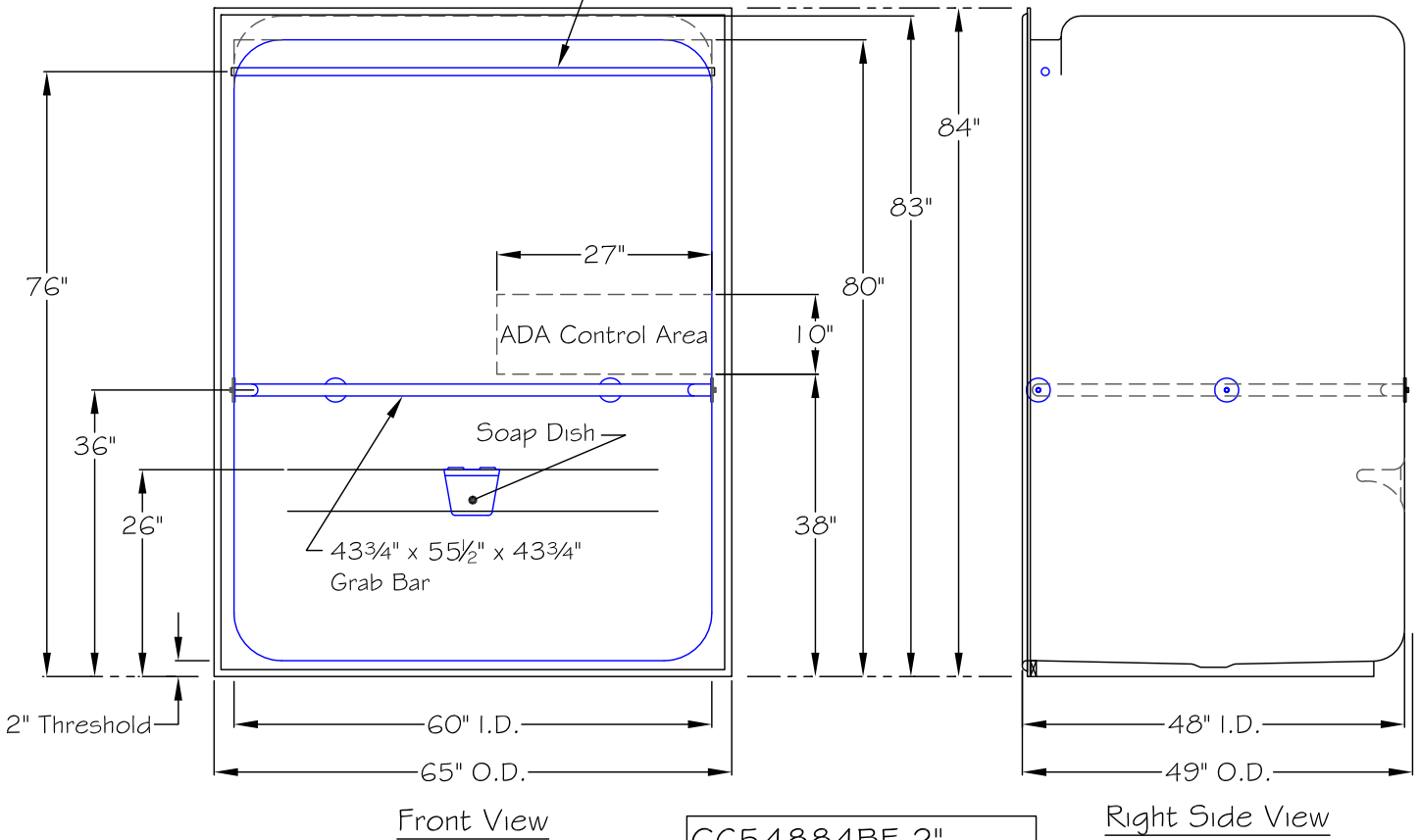
THIS DRAWING IS FOR SUBMITTAL PURPOSES ONLY. THIS DRAWINGS SHOULD NOT BE USED FOR INSTALLATION OF THIS UNIT. REFER TO AQUA BATH'S INSTALLATION INSTRUCTIONS FOR FRAMING AND ROUGH-IN DIMINSIONS.

GENERAL NOTES:

Dimensions are Diagrammatical only.  
Contractor to Field Verify conditions prior to installation. Due to the nature of materials used, Manufacturing Tolerance of ( $\pm 1/4$ ).

NOTE:

If the guidelines for installation are not followed in detail the risk of inadequate water drainage could be the results.



C654884BF 2"

RIGHT HAND UNIT SHOWN

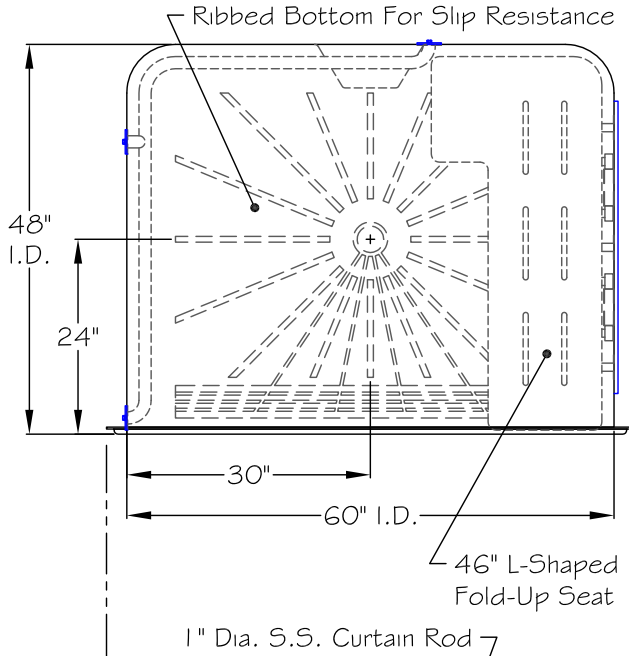
**AQUA BATH CO.**

921 CHEROKEE AVENUE  
NASHVILLE, TN 37207

REV.	DR.	DATE	DESCRIPTION

TITLE:	DRN BY:
ADA Roll-In Shower	
MODEL NO.:	DATE:
C654884BF 2"	
DRWG NO.:	SCALE:
	1/2" = 1'-0"

Top View



THIS DRAWING IS FOR SUBMITTAL PURPOSES ONLY. THIS DRAWINGS SHOULD NOT BE USED FOR INSTALLATION OF THIS UNIT. REFER TO AQUA BATH'S INSTALLATION INSTRUCTIONS FOR FRAMING AND ROUGH-IN DIMINSIONS.

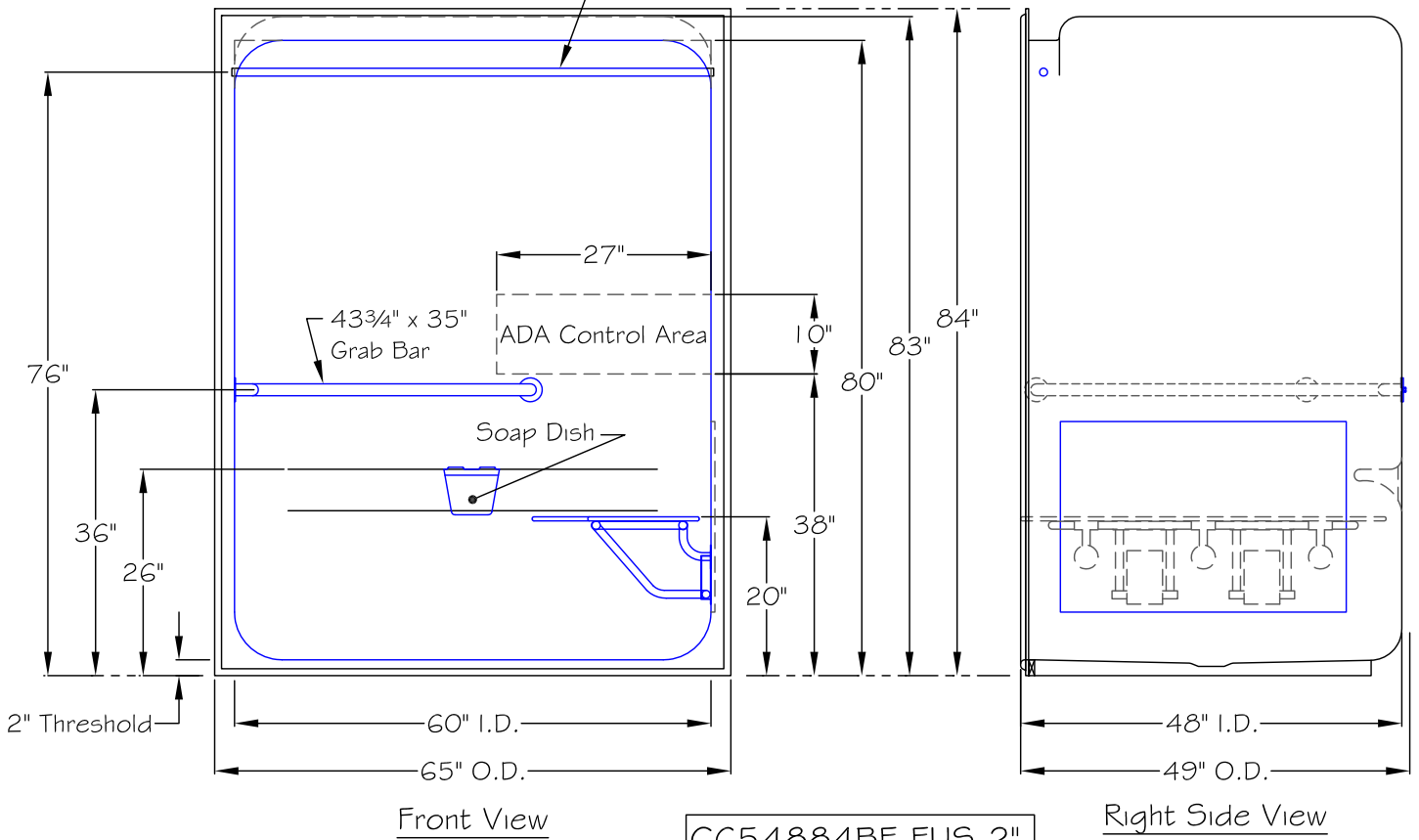
GENERAL NOTES:

Dimensions are Diagrammatical only.  
Contractor to Field Verify conditions prior to installation. Due to the nature of materials used, Manufacturing Tolerance of ( $\pm 1/4$ ).

Fold-Up Seat (FUS) is on the Right Hand Side.

NOTE:

If the guidelines for installation are not followed in detail the risk of inadequate water drainage could be the results.



Front View

Right Side View

C654884BF-FUS 2"

RIGHT HAND UNIT SHOWN

**AQUA BATH CO.**

921 CHEROKEE AVENUE  
NASHVILLE, TN 37207

REV.	DR.	DATE	DESCRIPTION

TITLE:	DRN BY:
ADA Roll-In Shower	
MODEL NO.:	DATE:
C654884BF-FUS 2"	
DRWG NO.:	SCALE:
	1/2" = 1'-0"