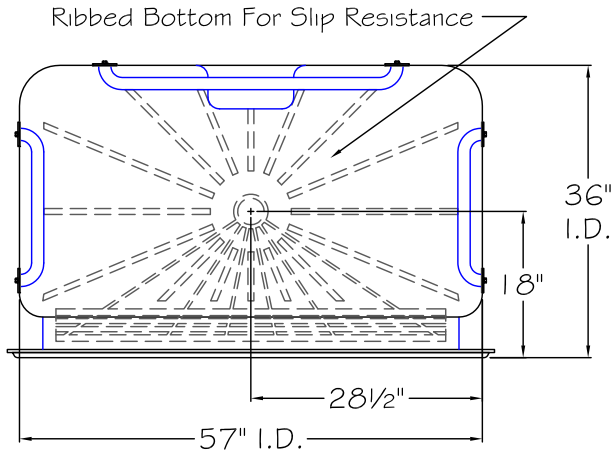


THIS DRAWING IS FOR SUBMITTAL PURPOSES ONLY. THIS DRAWINGS SHOULD NOT BE USED FOR INSTALLATION OF THIS UNIT. REFER TO AQUA BATH'S INSTALLATION INSTRUCTIONS FOR FRAMING AND ROUGH-IN DIMINSIONS.

Top View

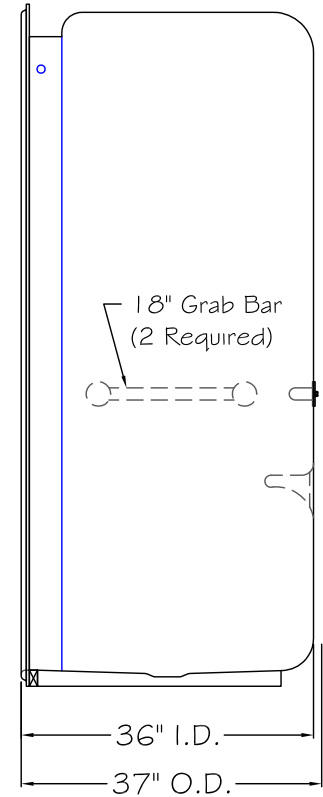
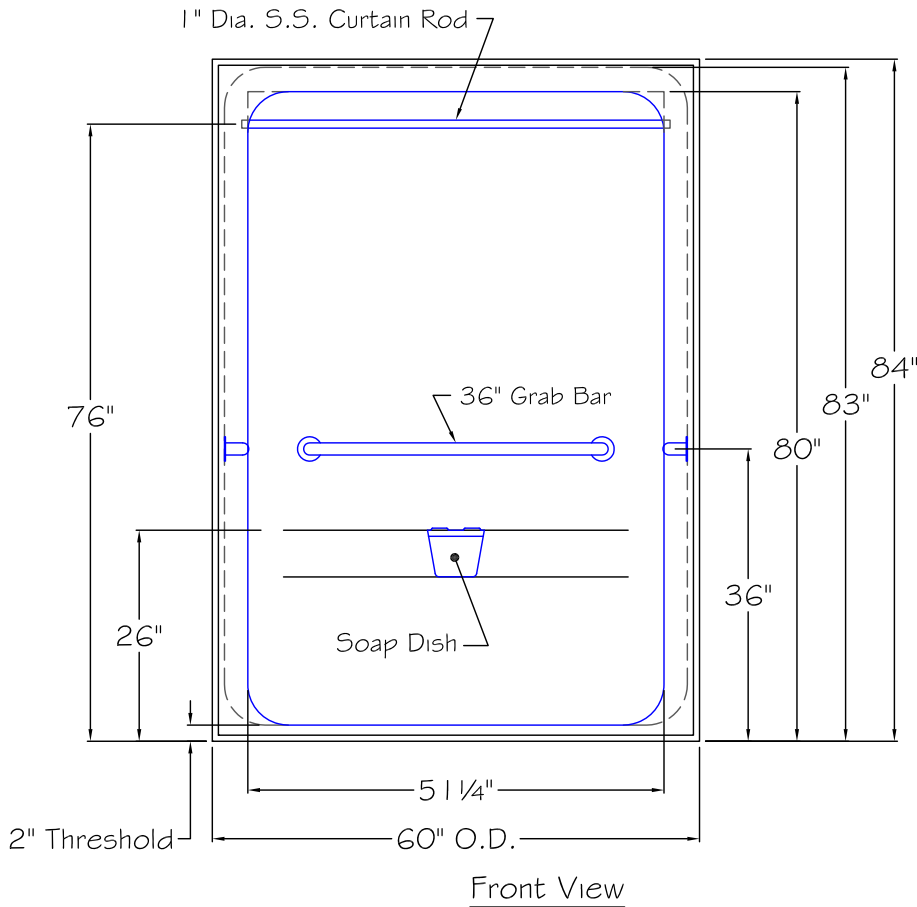


GENERAL NOTES:

Dimensions are Diagrammatical only.  
Contractor to Field Verify conditions prior to installation. Due to the nature of materials used, Manufacturing Tolerance of ( $\pm 1/4$ ).

NOTE:

If the guidelines for installation are not followed in detail the risk of inadequate water drainage could be the results.



SYMMETRICAL UNIT SHOWN, HAND TBD IN FIELD

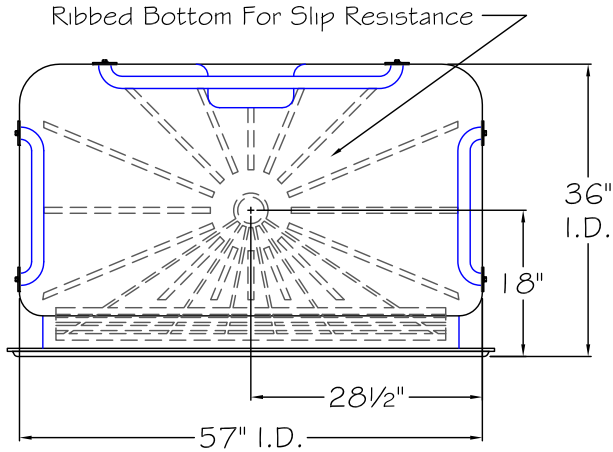
**AQUA BATH CO.**  
921 CHEROKEE AVENUE  
NASHVILLE, TN 37207

REV.	DR.	DATE	DESCRIPTION

TITLE:	DRN BY:
Barrier Free Shower	DATE:
MODEL NO.: IS6036BF 2"	SCALE: 1/2" = 1'-0"
DRWG NO.:	

THIS DRAWING IS FOR SUBMITTAL PURPOSES ONLY. THIS DRAWINGS SHOULD NOT BE USED FOR INSTALLATION OF THIS UNIT. REFER TO AQUA BATH'S INSTALLATION INSTRUCTIONS FOR FRAMING AND ROUGH-IN DIMINSIONS.

Top View

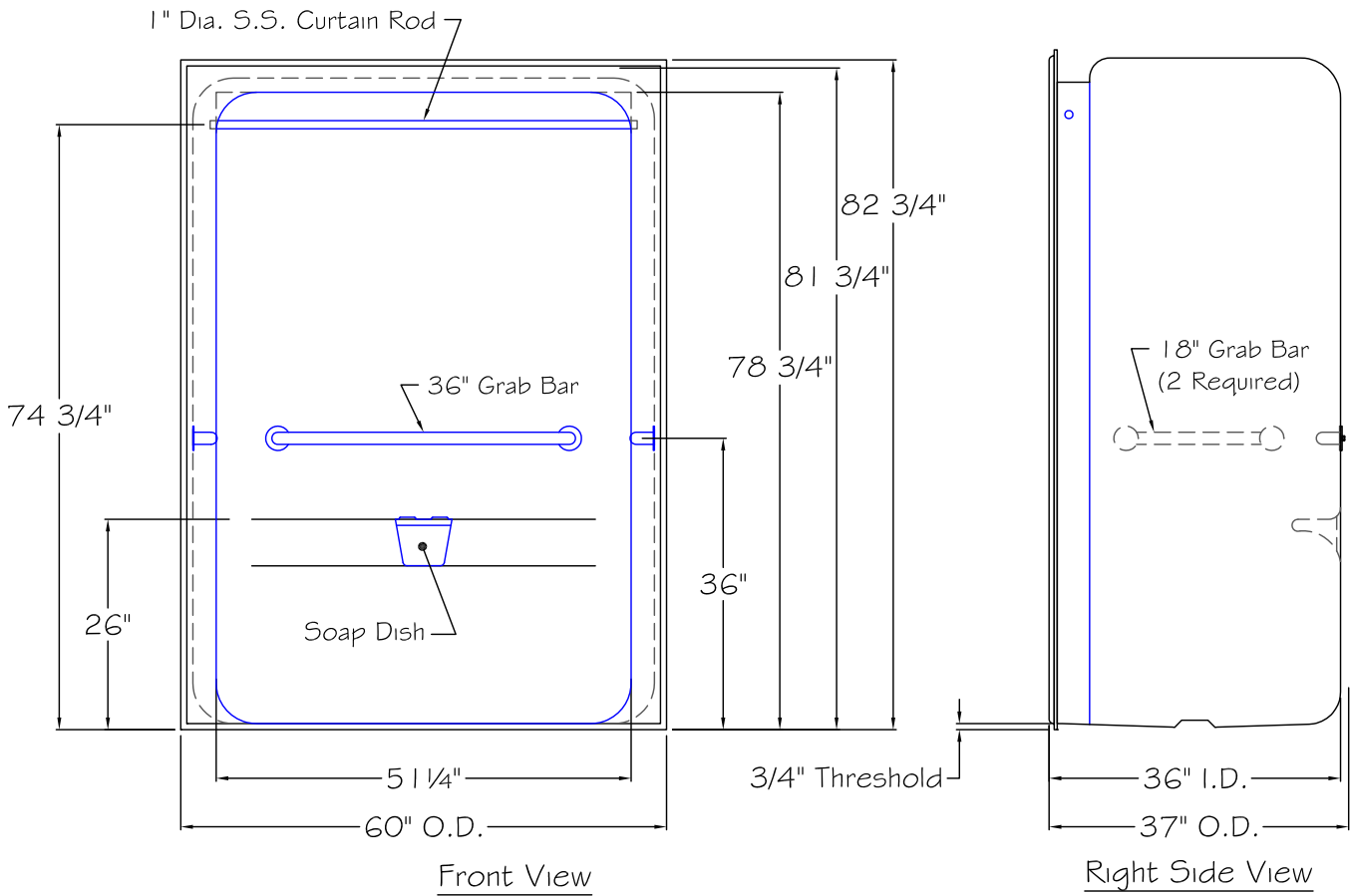


GENERAL NOTES:

Dimensions are Diagrammatical only.  
Contractor to Field Verify conditions prior to installation. Due to the nature of materials used, Manufacturing Tolerance of ( $\pm 1/4$ ).

NOTE:

If the guidelines for installation are not followed in detail the risk of inadequate water drainage could be the results.



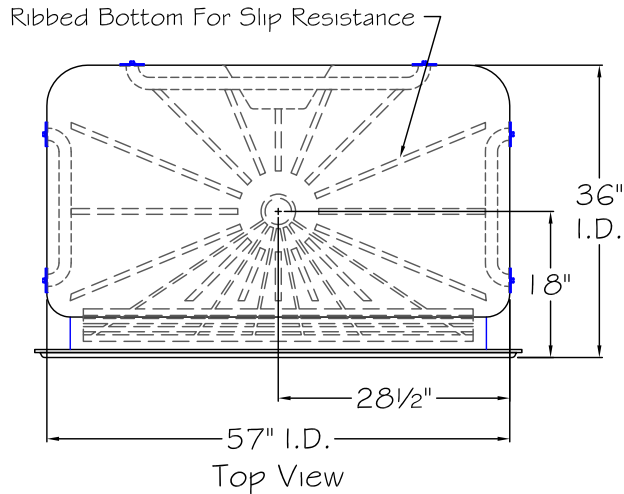
SYMMETRICAL UNIT SHOWN, HAND TBD IN FIELD

**AQUA BATH CO.**  
921 CHEROKEE AVENUE  
NASHVILLE, TN 37207

REV.	DR.	DATE	DESCRIPTION

TITLE:	DRN BY:
Barrier Free Shower	DATE:
MODEL NO.:	SCALE:
IS6036BF 3/4"	1/2" = 1'-0"
DRWG NO.:	

THIS DRAWING IS FOR SUBMITTAL PURPOSES ONLY. THIS DRAWINGS SHOULD NOT BE USED FOR INSTALLATION OF THIS UNIT. REFER TO AQUA BATH'S INSTALLATION INSTRUCTIONS FOR FRAMING AND ROUGH-IN DIMINSIONS.

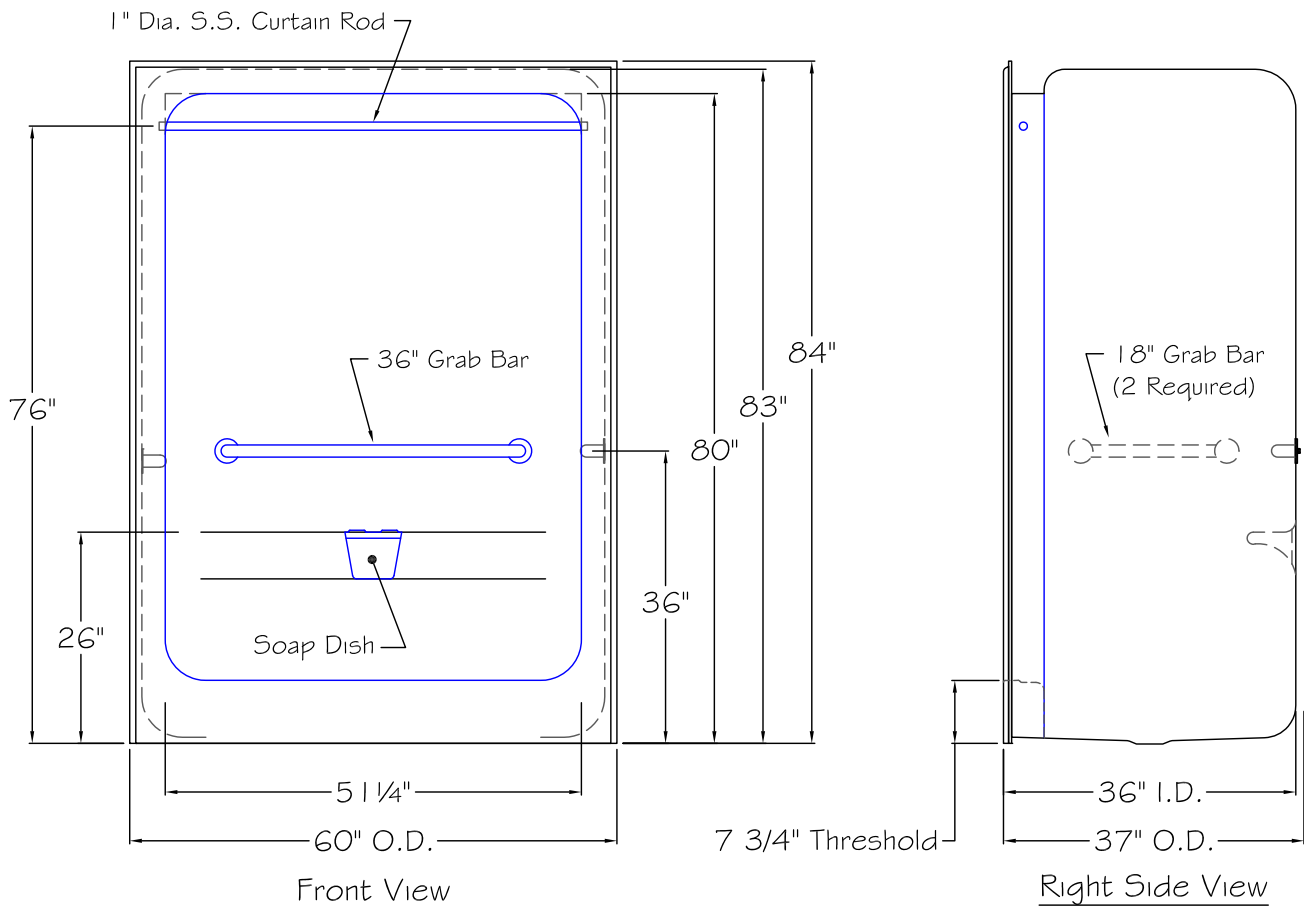


**GENERAL NOTES:**

Dimensions are Diagrammatical only. Contractor to Field Verify conditions prior to installation. Due to the nature of materials used, Manufacturing Tolerance of (±1/4).

**NOTE:**

If the guidelines for installation are not followed in detail the risk of inadequate water drainage could be the results.



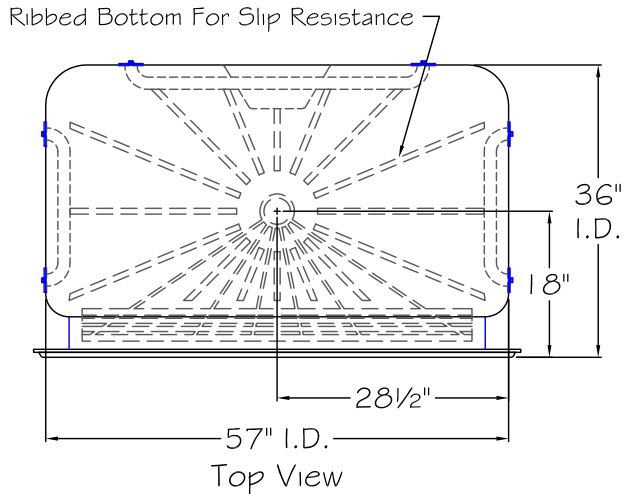
SYMMETRICAL UNIT SHOWN, HAND TBD IN FIELD

**AQUA BATH CO.**  
 921 CHEROKEE AVENUE  
 NASHVILLE, TN 37207

REV.	DR.	DATE	DESCRIPTION

TITLE:	Acrylic Shower Stall	DRN BY:	
MODEL NO.:	IS6036SH-73/4"	DATE:	
DRWG NO.:		SCALE:	1/2" = 1'-0"

THIS DRAWING IS FOR SUBMITTAL PURPOSES ONLY. THIS DRAWINGS SHOULD NOT BE USED FOR INSTALLATION OF THIS UNIT. REFER TO AQUA BATH'S INSTALLATION INSTRUCTIONS FOR FRAMING AND ROUGH-IN DIMINSIONS.

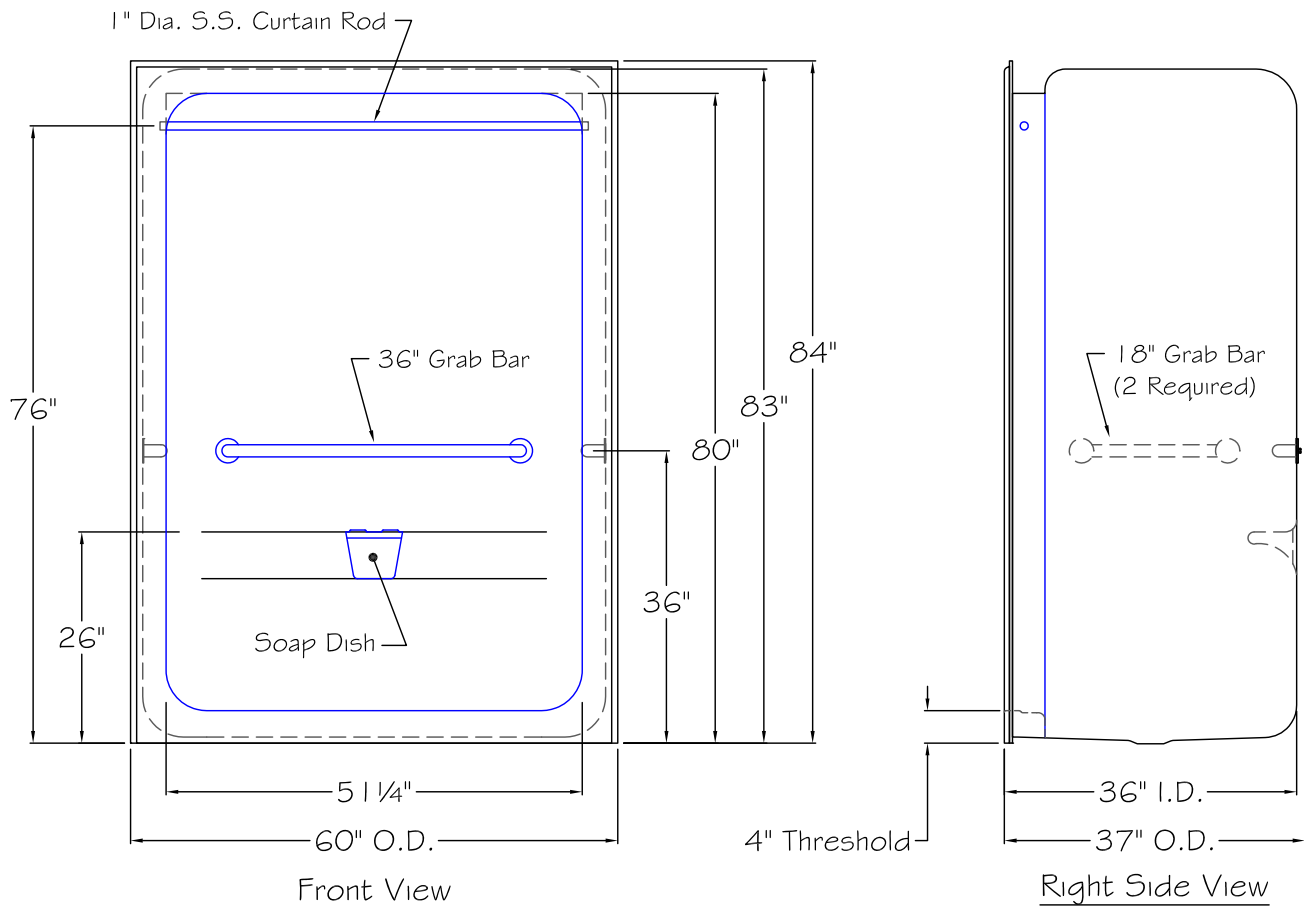


**GENERAL NOTES:**

Dimensions are Diagrammatical only. Contractor to Field Verify conditions prior to installation. Due to the nature of materials used, Manufacturing Tolerance of (± 1/4).

**NOTE:**

If the guidelines for installation are not followed in detail the risk of inadequate water drainage could be the results.



SYMMETRICAL UNIT SHOWN, HAND TBD IN FIELD

**AQUA BATH CO.**  
 921 CHEROKEE AVENUE  
 NASHVILLE, TN 37207

REV.	DR.	DATE	DESCRIPTION

TITLE: Acrylic Shower Stall	DRN BY:
MODEL NO.: IS6036SH Mod4"	DATE:
DRWG NO.:	SCALE: 1/2" = 1'-0"