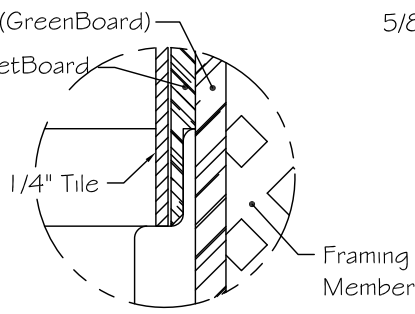
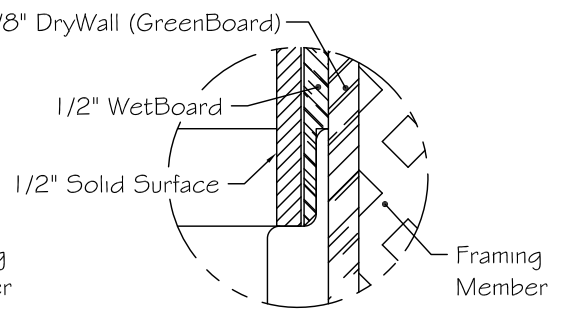


Detail "A"



Finish Out Of Detail "A"
(For Tile Applications)



Finish Out Of Detail "A"
(For Solid Surface Applications)

Note: Finish Out Details Shown Are For Recommendations Only.
Finish Out Can Be Achieved In A Variety Of Ways.

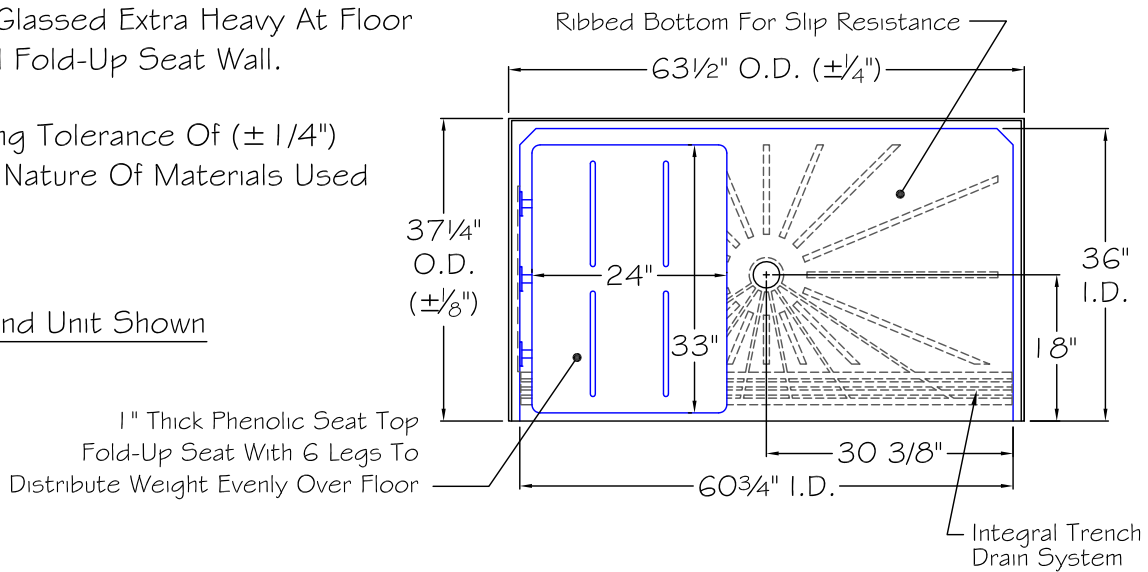
Note:

Unit To Be Glassed Extra Heavy At Floor
Bottom And Fold-Up Seat Wall.

Manufacturing Tolerance Of ($\pm 1/4"$)
Due To The Nature Of Materials Used

Note: Left Hand Unit Shown

Top View

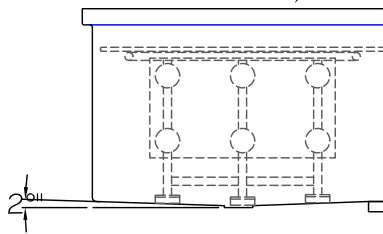


1" Thick Phenolic Seat Top
Fold-Up Seat With 6 Legs To
Distribute Weight Evenly Over Floor

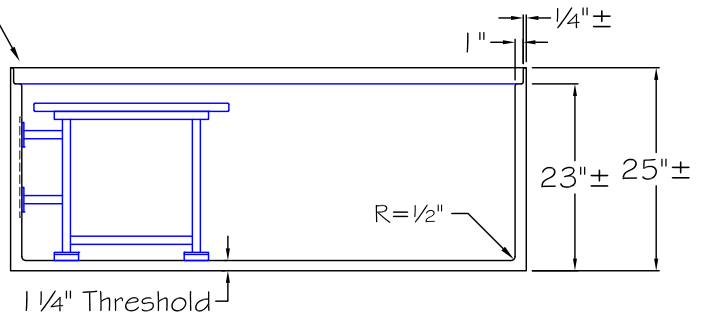
Mounting Area For Support Of
Bariatric Fold-Up Seat

Mounting Area Shown Can Be On
Either Left Or Right Side Wall

See Detail "A"



Left Side View



Front View

AQUA BATH CO.

921 CHEROKEE AVENUE
NASHVILLE, TN 37207

REV.	DR.	DATE	DESCRIPTION

TITLE: Bariatric Shower Base	DRN BY:
MODEL NO.: BA6036BF-FUS 1-1/4"	DATE:
DRWG NO.:	SCALE: 1/2" = 1'-0"