

THIS DRAWING IS FOR SUBMITTAL PURPOSES ONLY. THIS DRAWINGS SHOULD NOT BE USED FOR INSTALLATION OF THIS UNIT. REFER TO AQUA BATH'S INSTALLATION INSTRUCTIONS FOR FRAMING AND ROUGH-IN DIMENSIONS.

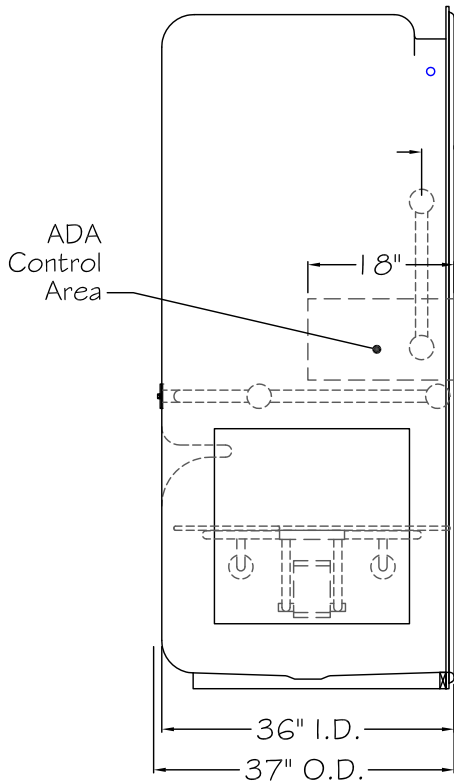
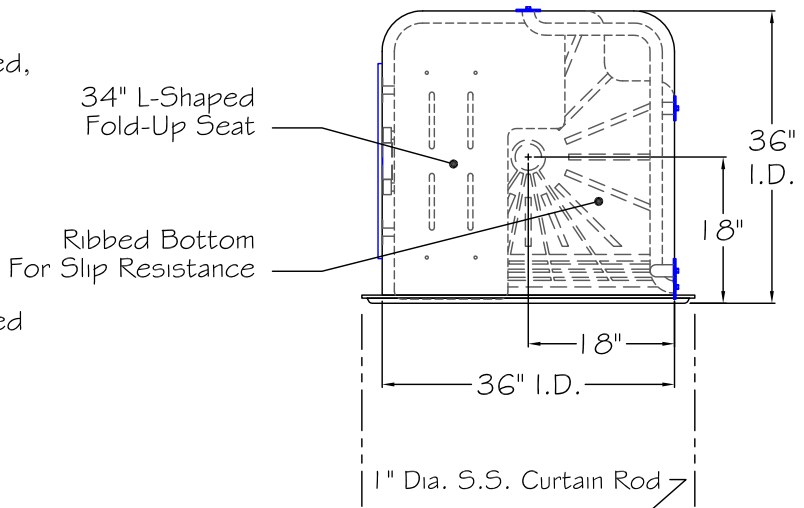
**GENERAL NOTES:**

Dimensions are Diagrammatical only.  
Contractor to Field Verify conditions prior to installation. Due to the nature of materials used, Manufacturing Tolerance of ( $\pm 1/4$ ).

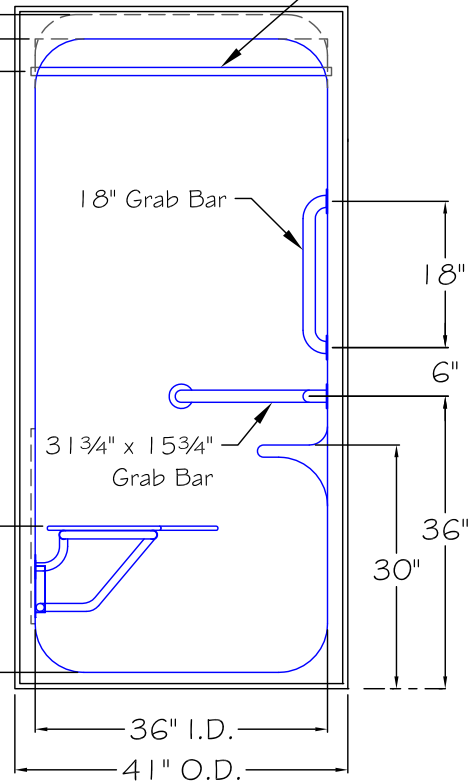
"Wet-Wall" is on the Right Hand Side.  
Fold-Up Seat (FUS) is on the Left Hand Side.

**NOTE:**  
If the guidelines for installation are not followed in detail the risk of inadequate water drainage could be the results.

Top View



Left Side View



Front View

C4136BF-FUS 2"

RIGHT HAND UNIT SHOWN

**AQUA BATH CO.**

921 CHEROKEE AVENUE  
NASHVILLE, TN 37207

REV.	DR.	DATE	DESCRIPTION

TITLE: ADA Transfer Shower	DRN BY:
MODEL NO.: C4136BF-FUS 2"	DATE:
DRWG NO.:	SCALE: 1/2" = 1'-0"

THIS DRAWING IS FOR SUBMITTAL PURPOSES ONLY. THIS DRAWINGS SHOULD NOT BE USED FOR INSTALLATION OF THIS UNIT. REFER TO AQUA BATH'S INSTALLATION INSTRUCTIONS FOR FRAMING AND ROUGH-IN DIMENSIONS.

**GENERAL NOTES:**

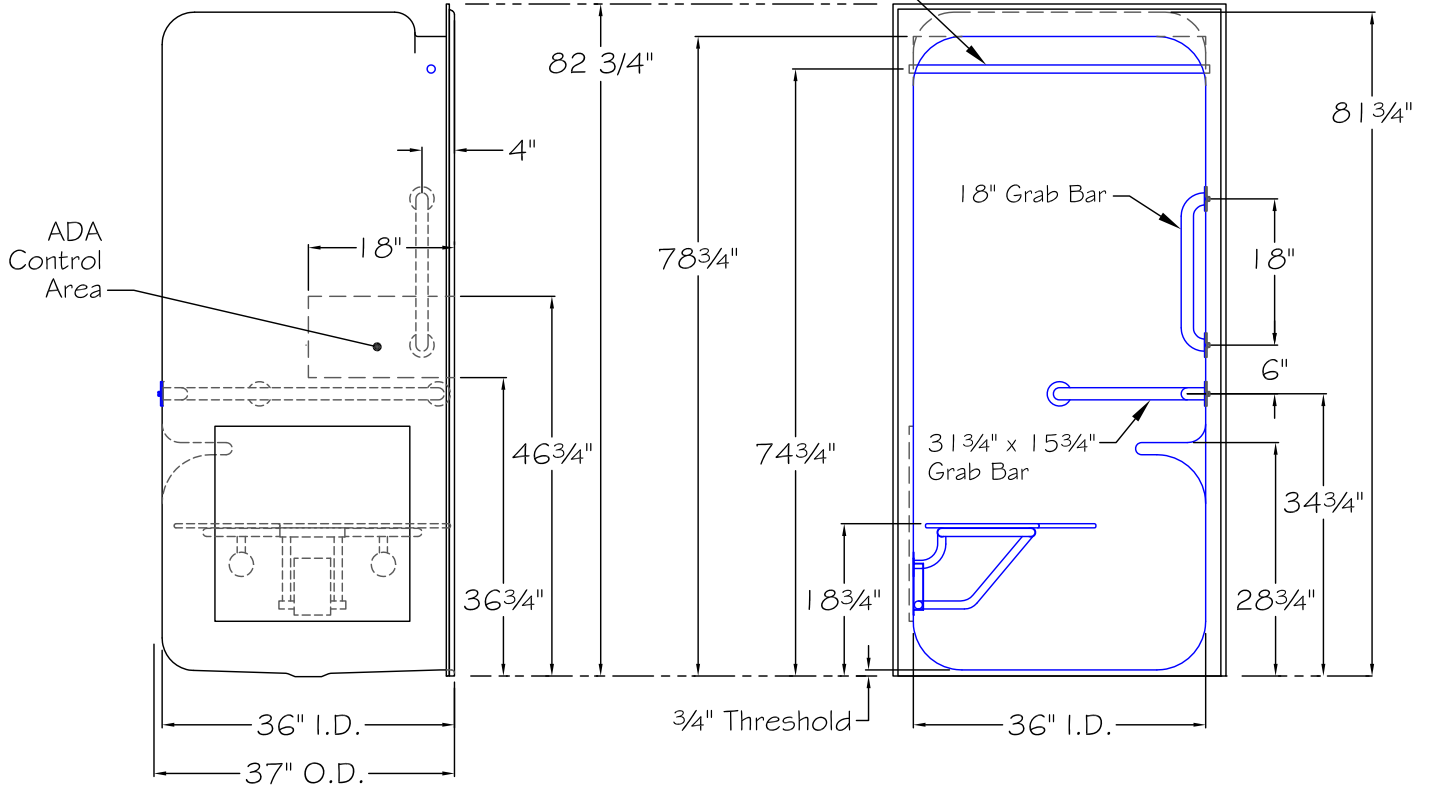
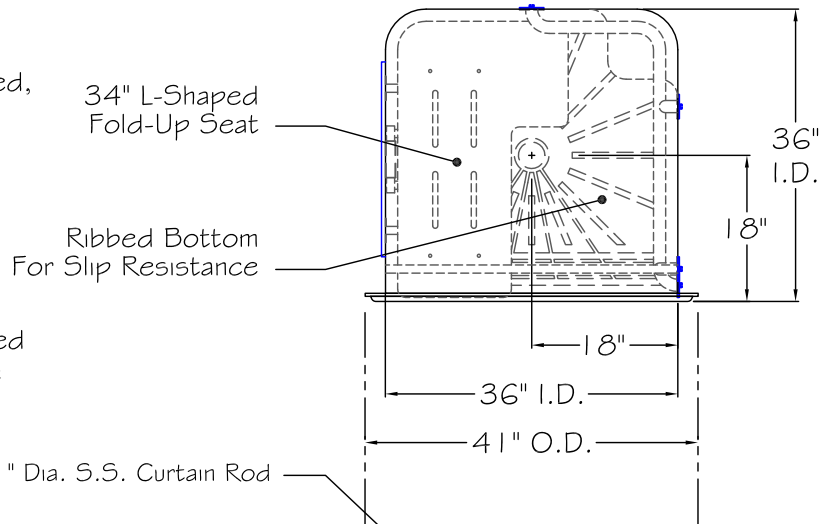
Dimensions are Diagrammatical only.  
Contractor to Field Verify conditions prior to installation. Due to the nature of materials used, Manufacturing Tolerance of ( $\pm 1/4$ ).

"Wet-Wall" is on the Right Hand Side.  
Fold-Up Seat (FUS) is on the Left Hand Side.

**NOTE:**

If the guidelines for installation are not followed in detail the risk of inadequate water drainage could be the results.

Top View



Left Side View

C4136BF-FUS 3/4"

Front View

RIGHT HAND UNIT SHOWN

**AQUA BATH CO.**

921 CHEROKEE AVENUE  
NASHVILLE, TN 37207

REV.	DR.	DATE	DESCRIPTION

TITLE: ADA Transfer Shower	DRN BY:
MODEL NO.: C4136BF-FUS 3/4"	DATE:
DRWG NO.:	SCALE: 1/2" = 1'-0"

THIS DRAWING IS FOR SUBMITTAL PURPOSES ONLY. THIS DRAWINGS SHOULD NOT BE USED FOR INSTALLATION OF THIS UNIT. REFER TO AQUA BATH'S INSTALLATION INSTRUCTIONS FOR FRAMING AND ROUGH-IN DIMENSIONS.

**GENERAL NOTES:**

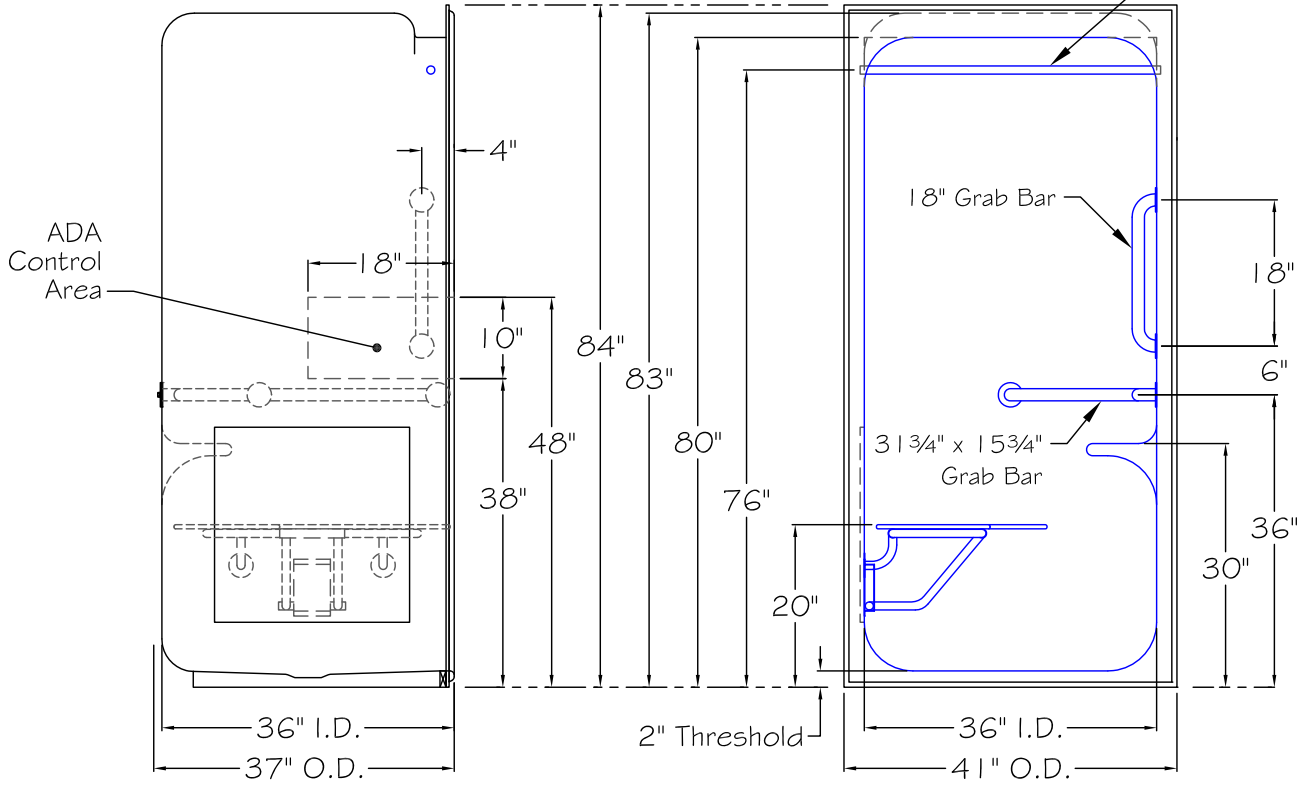
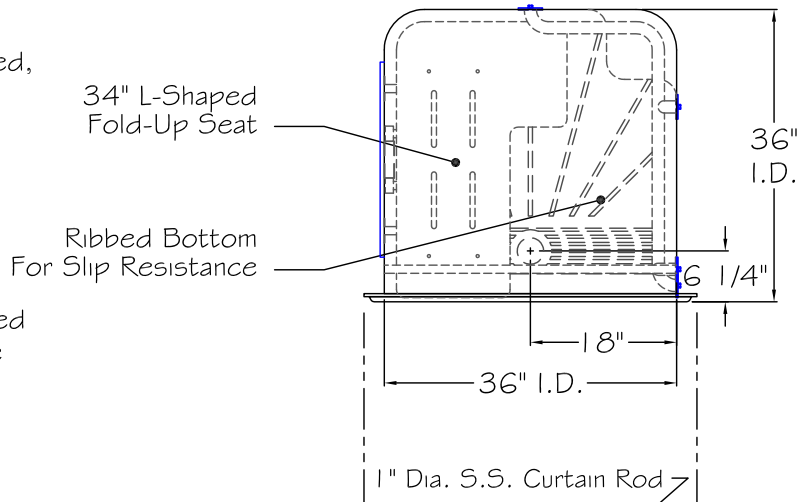
Dimensions are Diagrammatical only.  
Contractor to Field Verify conditions prior to installation. Due to the nature of materials used, Manufacturing Tolerance of ( $\pm 1/4$ ).

"Wet-Wall" is on the Right Hand Side.  
Fold-Up Seat (FUS) is on the Left Hand Side.

**NOTE:**

If the guidelines for installation are not followed in detail the risk of inadequate water drainage could be the results.

Top View



Left Side View

Front View

C4136TD-FUS 2"

RIGHT HAND UNIT SHOWN

**AQUA BATH CO.**

921 CHEROKEE AVENUE  
NASHVILLE, TN 37207

REV.	DR.	DATE	DESCRIPTION

TITLE: ADA Transfer Shower	DRN BY:
MODEL NO.: C4136TD-FUS 2"	DATE:
DRWG NO.:	SCALE: 1/2" = 1'-0"

THIS DRAWING IS FOR SUBMITTAL PURPOSES ONLY. THIS DRAWINGS SHOULD NOT BE USED FOR INSTALLATION OF THIS UNIT. REFER TO AQUA BATH'S INSTALLATION INSTRUCTIONS FOR FRAMING AND ROUGH-IN DIMENSIONS.

**GENERAL NOTES:**

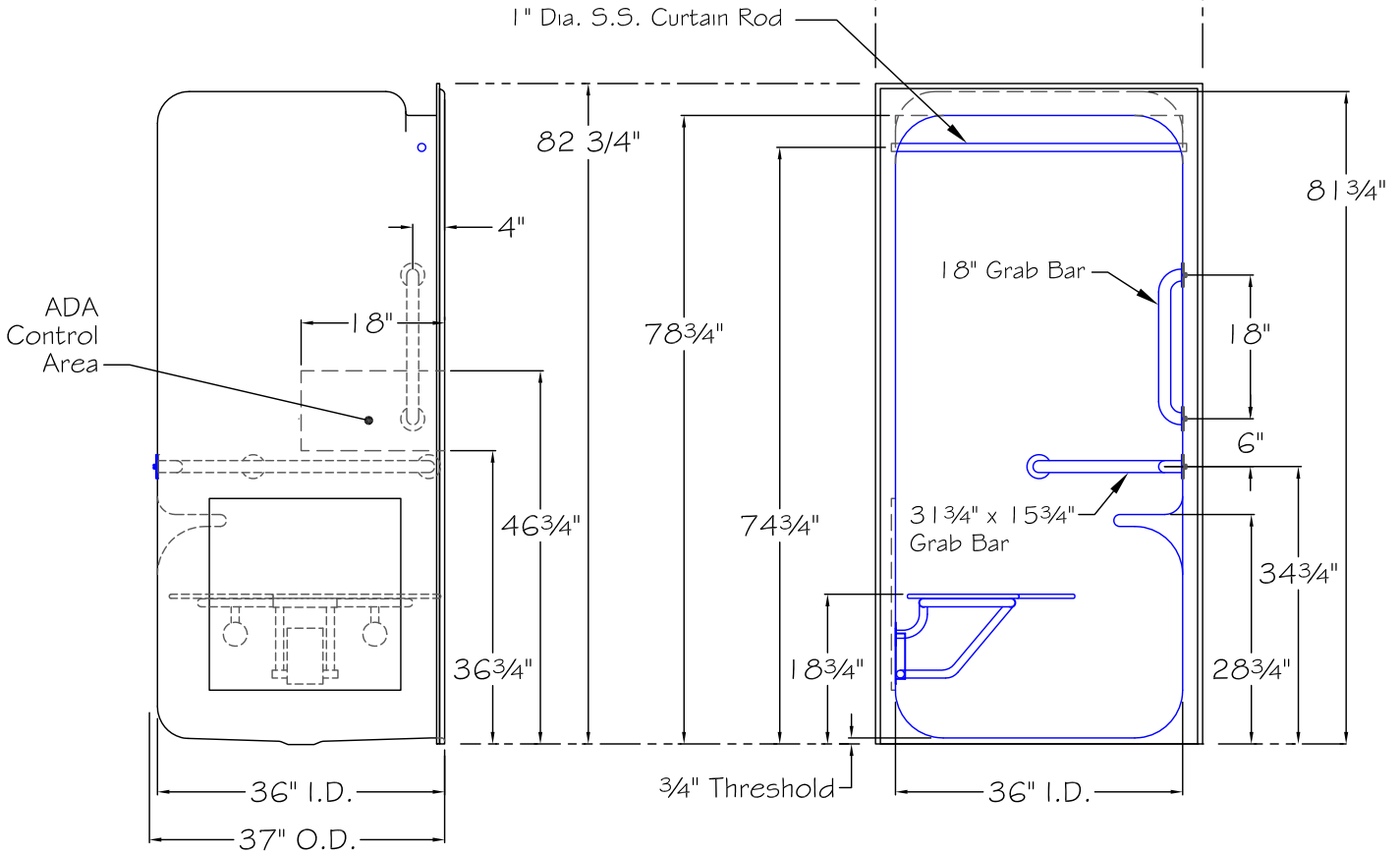
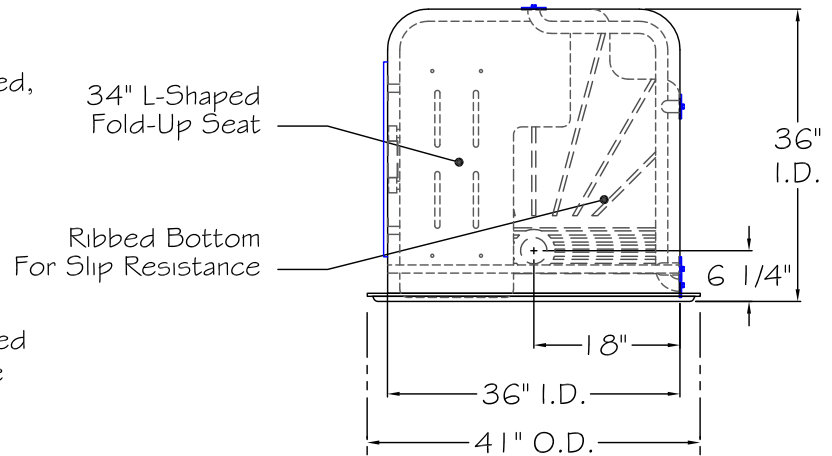
Dimensions are Diagrammatical only.  
Contractor to Field Verify conditions prior to installation. Due to the nature of materials used, Manufacturing Tolerance of ( $\pm 1/4$ ).

"Wet-Wall" is on the Right Hand Side.  
Fold-Up Seat (FUS) is on the Left Hand Side.

**NOTE:**

If the guidelines for installation are not followed in detail the risk of inadequate water drainage could be the results.

Top View



Left Side View

C4136TD-FUS 3/4"

Front View

RIGHT HAND UNIT SHOWN

**AQUA BATH CO.**

921 CHEROKEE AVENUE  
NASHVILLE, TN 37207

REV.	DR.	DATE	DESCRIPTION

TITLE: ADA Transfer Shower	DRN BY:
MODEL NO.: C4136TD-FUS 3/4"	DATE:
DRWG NO.:	SCALE: 1/2" = 1'-0"