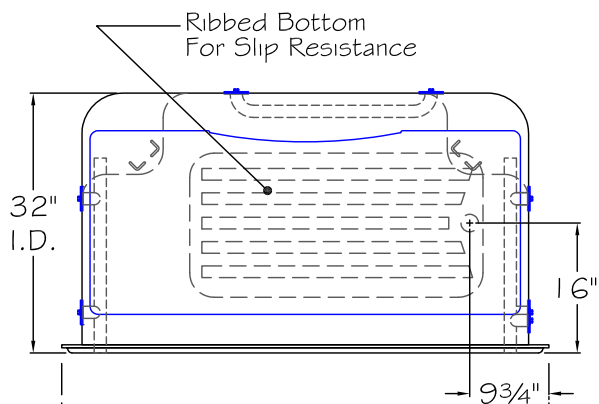


THIS DRAWING IS FOR SUBMITTAL PURPOSES ONLY. THIS DRAWINGS SHOULD NOT BE USED FOR INSTALLATION OF THIS UNIT. REFER TO AQUA BATH'S INSTALLATION INSTRUCTIONS FOR FRAMING AND ROUGH-IN DIMENSIONS.

Top View



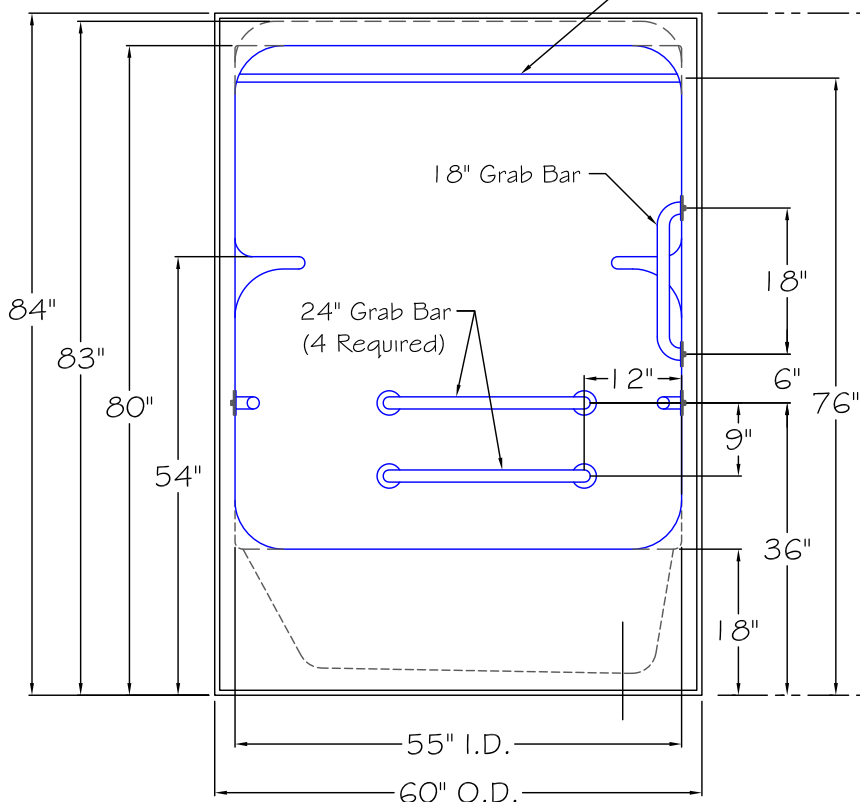
GENERAL NOTES:

Dimensions are Diagrammatical only. Contractor to Field Verify conditions prior to installation. Due to the nature of materials used, Manufacturing Tolerance of ($\pm 1/4$).

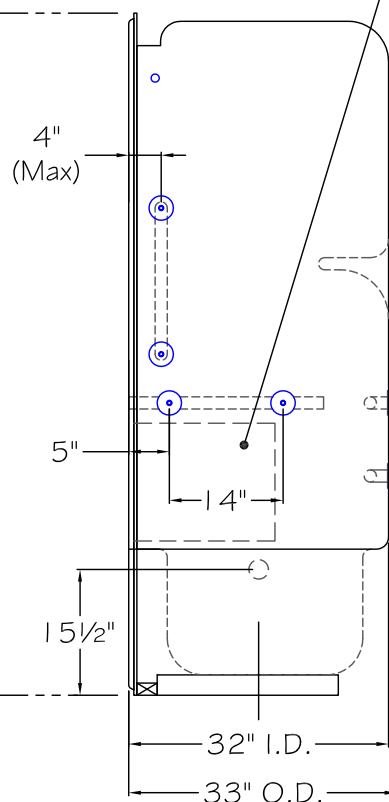
NOTE:

If the guidelines for installation are not followed in detail the risk of inadequate water drainage could be the results.

1" Dia. S.S. Curtain Rod



ADA Control Area



Front View

Right Side View

RIGHT HAND UNIT SHOWN

AQUA BATH CO.

921 CHEROKEE AVENUE
NASHVILLE, TN 37207

REV.	DR.	DATE	DESCRIPTION

TITLE:	ADA Tub / Shower	DRN BY:	
MODEL NO.:	C6032 TS	DATE:	
DRWG NO.:		SCALE:	1/2" = 1'-0"