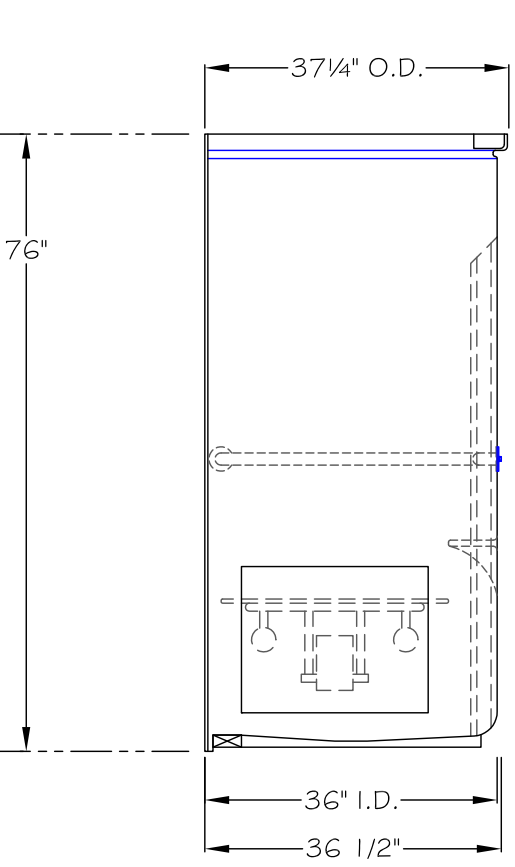
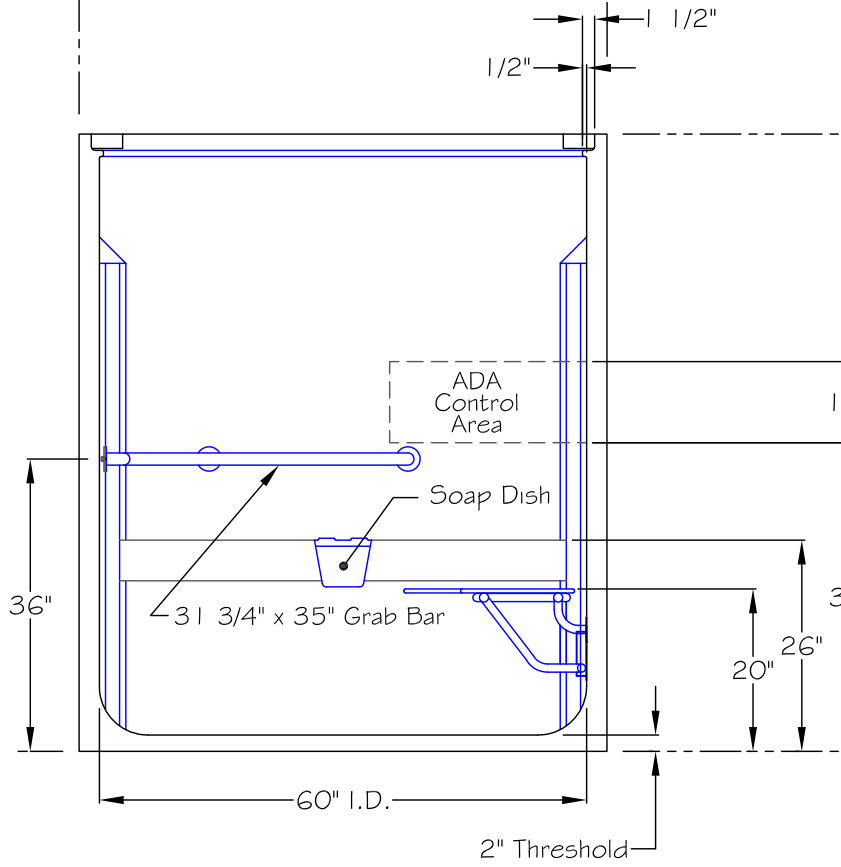
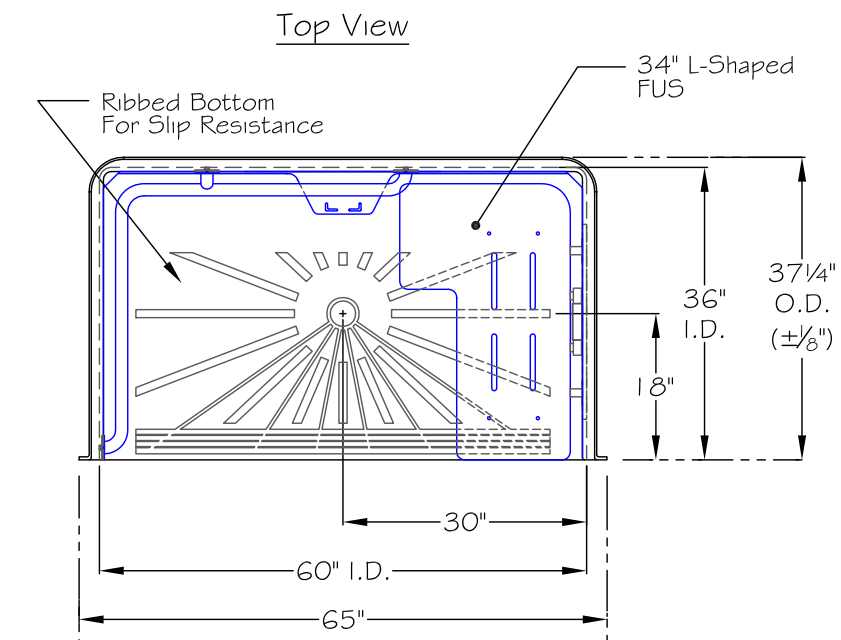


THIS DRAWING IS FOR SUBMITTAL PURPOSES ONLY. THIS DRAWINGS SHOULD NOT BE USED FOR INSTALLATION OF THIS UNIT. REFER TO AQUA BATH'S INSTALLATION INSTRUCTIONS FOR FRAMING AND ROUGH-IN DIMINSIONS.

**GENERAL NOTES:**  
 Dimensions are Diagrammatical only.  
 Contractor to Field Verify conditions prior to installation. Due to the nature of materials used, Manufacturing Tolerance of ( $\pm 1/4$ ).

"Wet-Wall" is on the Right Hand Side.  
 Fold-Up Seat (FUS) is on the Right Hand Side.

**NOTE:**  
 If the guidelines for installation are not followed in detail the risk of inadequate water drainage could be the results.



C6536BF-OT-FUS 2"

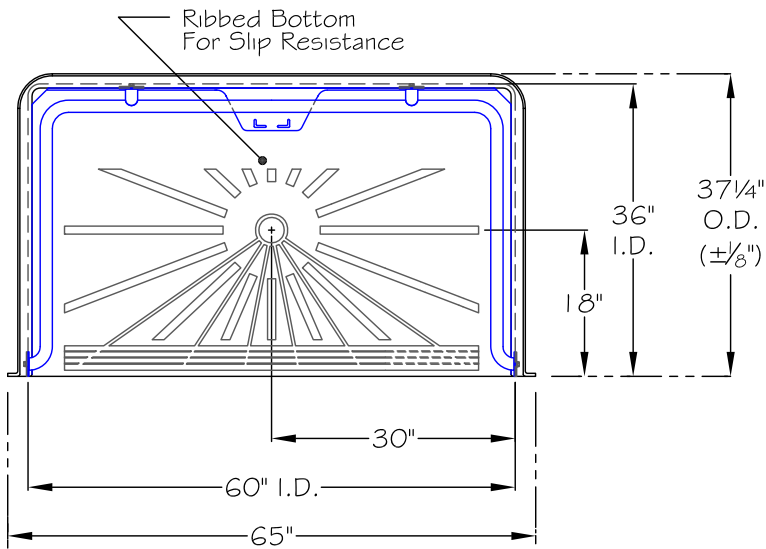
RIGHT HAND UNIT SHOWN

REV.	DR.	DATE	DESCRIPTION

**AQUA BATH CO.**  
 921 CHEROKEE AVENUE  
 NASHVILLE, TN 37207

TITLE: ADA Roll-In Shower (Open Top Unit) DRN BY: \_\_\_\_\_  
 MODEL NO.: C6536BF-OT-FUS 2" DATE: \_\_\_\_\_  
 DRWG NO.: \_\_\_\_\_ SCALE: 1/2" = 1'-0"

Top View



THIS DRAWING IS FOR SUBMITTAL PURPOSES ONLY. THIS DRAWINGS SHOULD NOT BE USED FOR INSTALLATION OF THIS UNIT. REFER TO AQUA BATH'S INSTALLATION INSTRUCTIONS FOR FRAMING AND ROUGH-IN DIMINSIONS.

GENERAL NOTES:

Dimensions are Diagrammatical only.  
Contractor to Field Verify conditions prior to installation. Due to the nature of materials used, Manufacturing Tolerance of ( $\pm 1/4$ ).

"Wet-Wall" is on the Right Hand Side.

NOTE:

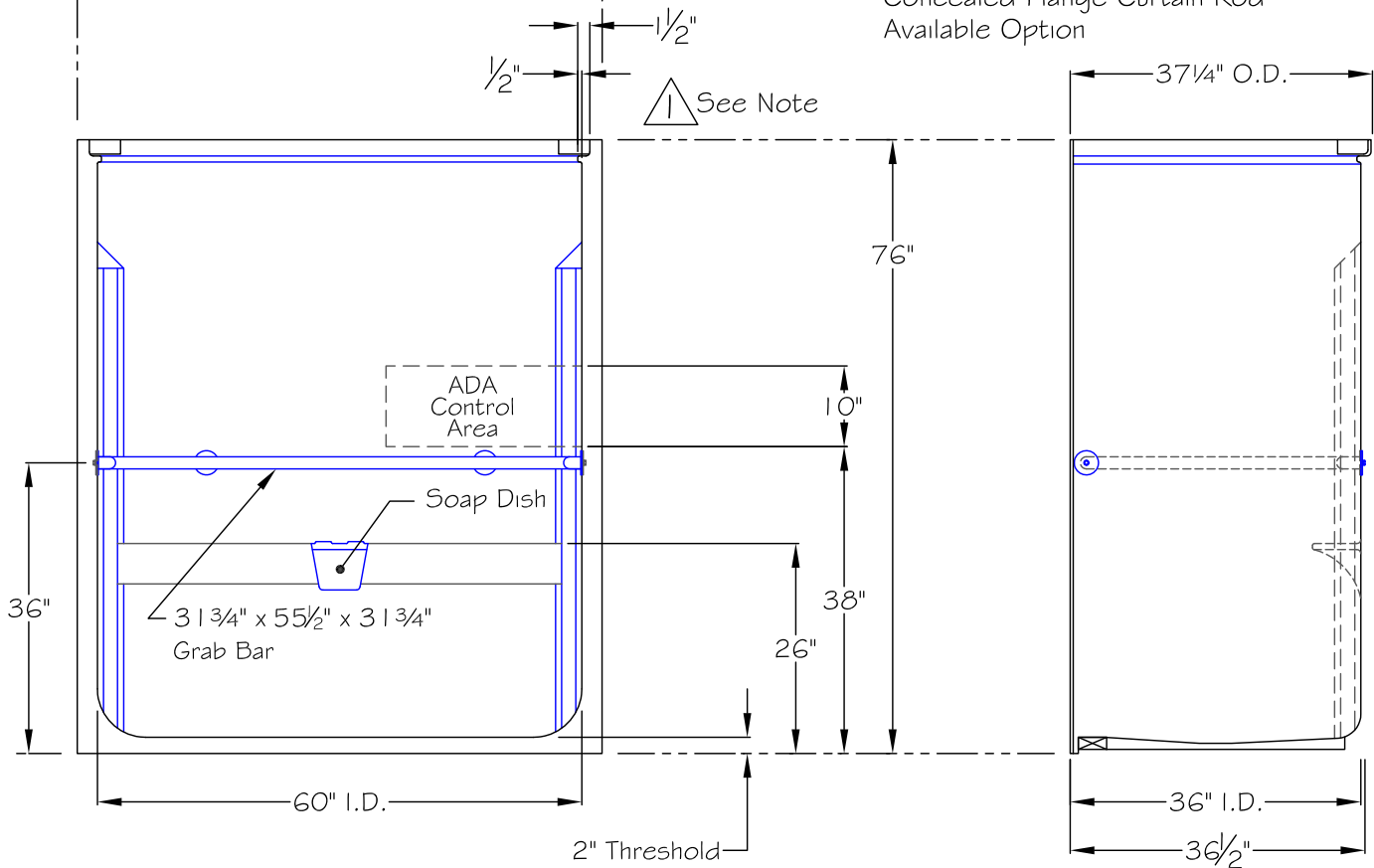
If the guidelines for installation are not followed in detail the risk of inadequate water drainage could be the results.

NOTE:



Concealed Flange Curtain Rod Available Option

See Note



Front View

Right Side View

C6536BF-OT-2"

RIGHT HAND UNIT SHOWN

**AQUA BATH CO.**  
921 CHEROKEE AVENUE  
NASHVILLE, TN 37207

REV.	DR.	DATE	DESCRIPTION

TITLE: ADA Roll-In Shower (Open Top Unit)	DRN BY:
MODEL NO.: C6536BF-OT- 2"	DATE:
DRWG NO.:	SCALE: 1/2" = 1'-0"