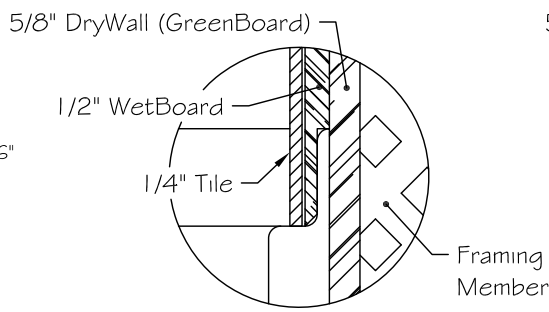
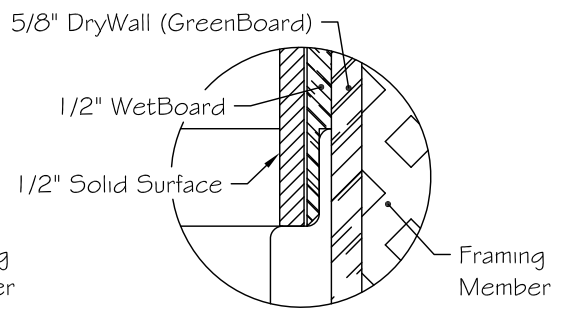


Detail "A"



Finish Out Of Detail "A"
(For Tile Applications)

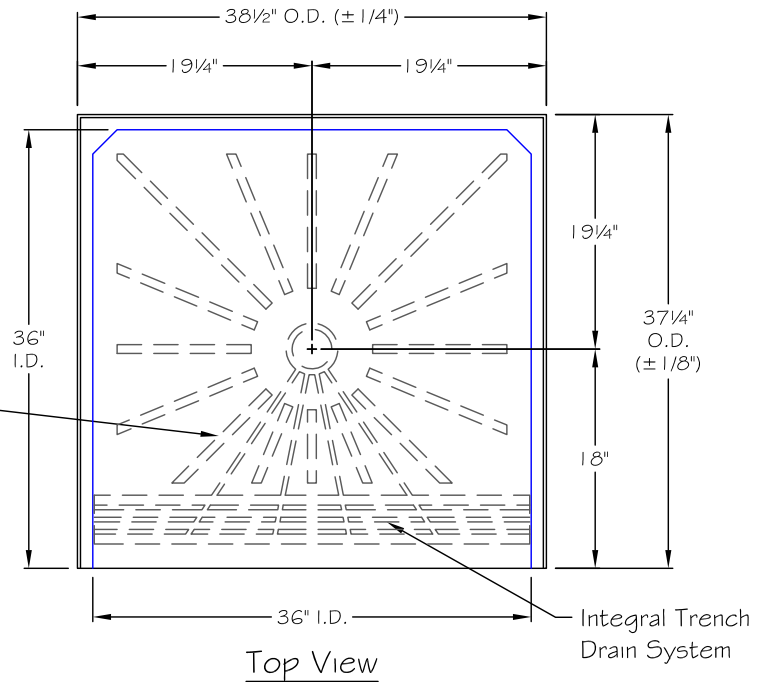


Finish Out Of Detail "A"
(For Solid Surface Applications)

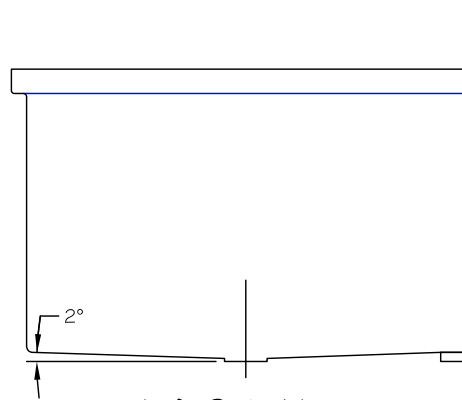
Notes:

Manufacturing Tolerances Listed On O.D. Dimensions Of Unit.
Field Conditions Should Be Set To Allow For Tolerances Of Unit.

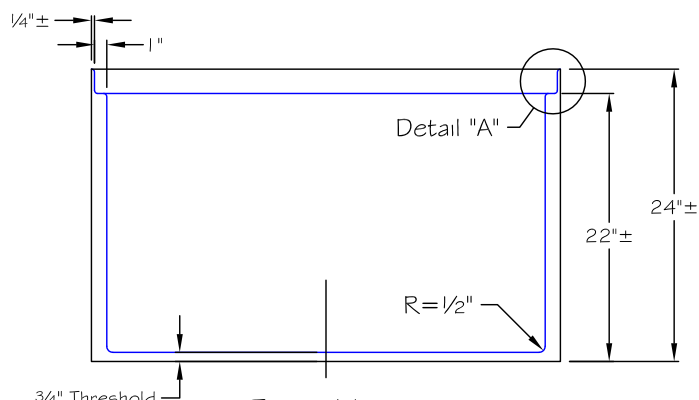
Ribbed Bottom For Slip Resistance



Top View



Left Side View



Front View

"Version A" - Ribbed Bottom

AQUA BATH CO.

921 CHEROKEE AVENUE
NASHVILLE, TN 37207

REV.	DR.	DATE	DESCRIPTION

TITLE: Transfer Shower Base	DRN BY:
MODEL NO.: CB3636BF 3/4"	DATE:
DRWG NO.:	SCALE: 3/4" = 1'-0"