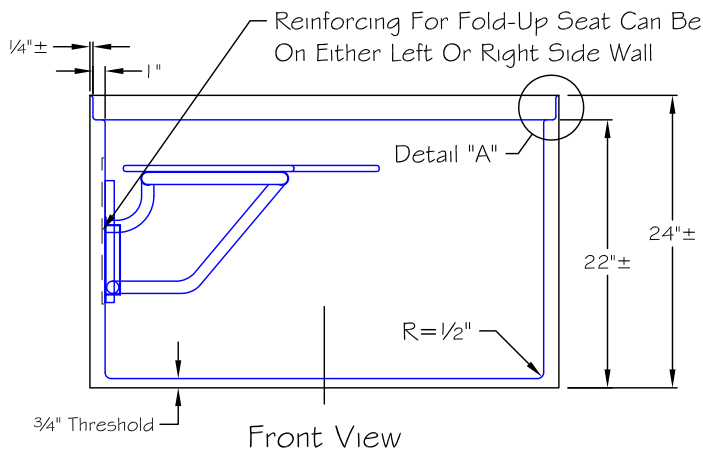
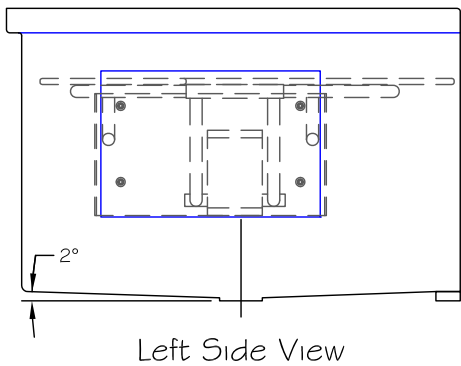
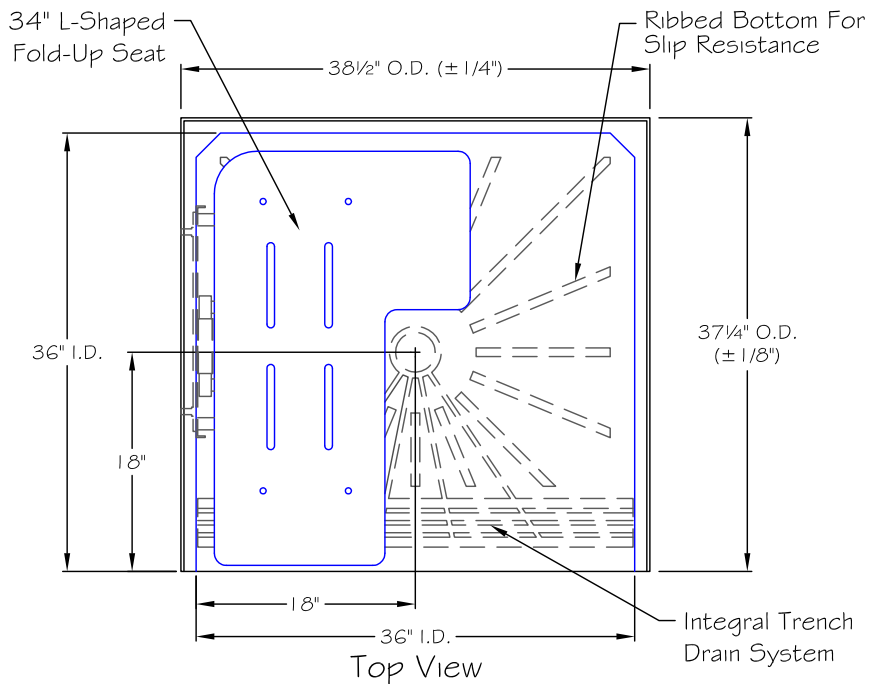


THIS DRAWING IS FOR SUBMITTAL PURPOSES ONLY. THIS DRAWINGS SHOULD NOT BE USED FOR INSTALLATION OF THIS UNIT. REFER TO AQUA BATH'S INSTALLATION INSTRUCTIONS FOR FRAMING AND ROUGH-IN DIMINSIONS.

GENERAL NOTES:

DIMINSIONS ARE DIAGRAMMATICAL ONLY. CONTRACTOR TO FIELD VERIFY CONDITIONS PRIOR TO INSTALLATION.

DUE TO THE NATURE OF MATERIALS USED, MANUFACTURING TOLERANCE OF ( $\pm 1/4$ ")



RIGHT HAND (WET WALL) UNIT SHOWN

SUBMITTAL			
REV.	DR.	DATE	DESCRIPTION

**AQUA BATH CO.**  
 921 CHEROKEE AVENUE  
 NASHVILLE, TN 37207

TITLE: Transfer Shower Base      DRN BY: \_\_\_\_\_

MODEL NO.: CB3636BF-FUS 3/4"      DATE: \_\_\_\_\_

DRWG NO.: \_\_\_\_\_      SCALE: 3/4" = 1'-0"