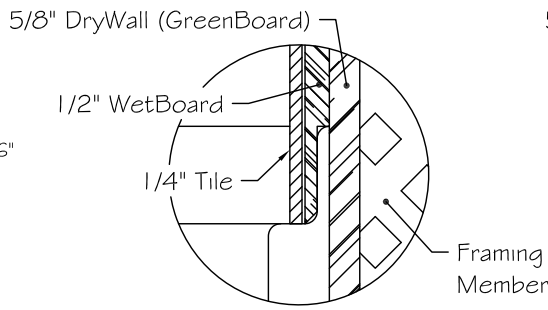
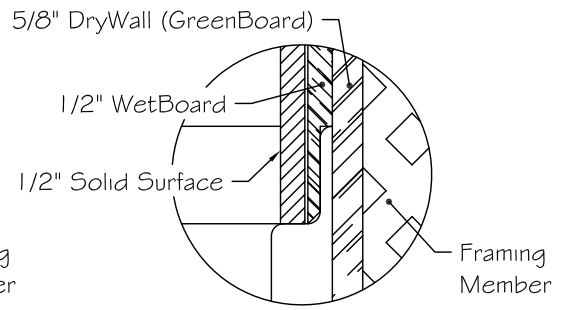


Detail "A"

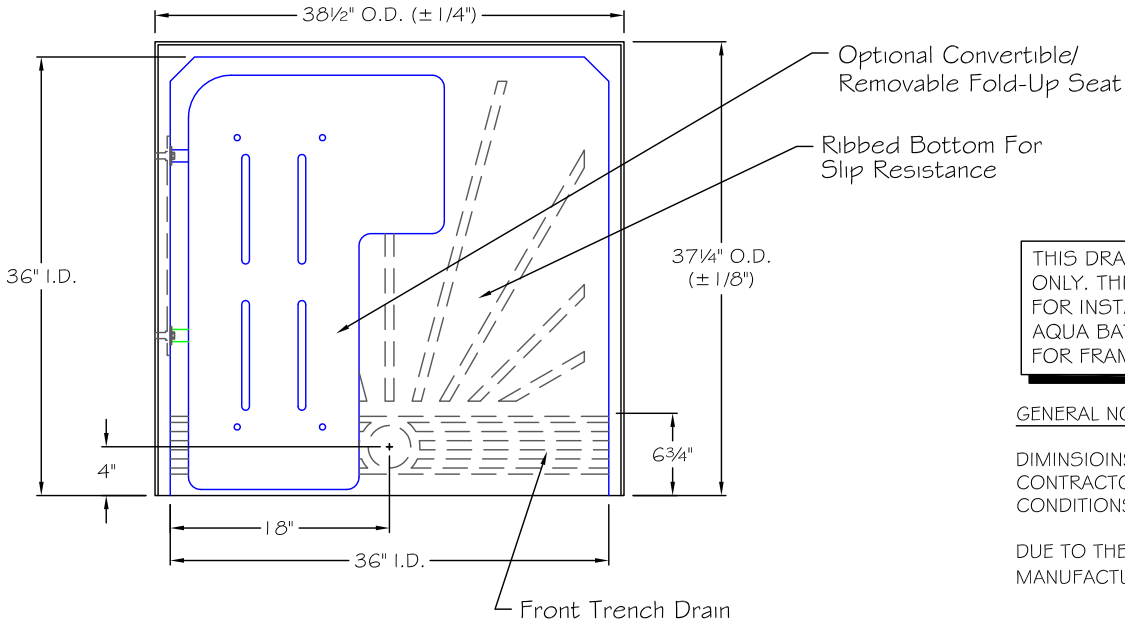


Finish Out Of Detail "A"  
(For Tile Applications)



Finish Out Of Detail "A"  
(For Solid Surface Applications)  
Top View

Top View

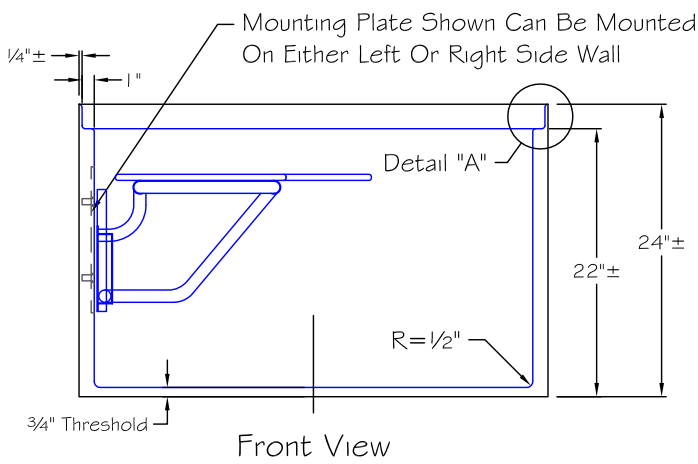


THIS DRAWING IS FOR SUBMITTAL PURPOSES ONLY. THIS DRAWINGS SHOULD NOT BE USED FOR INSTALLATION OF THIS UNIT. REFER TO AQUA BATH'S INSTALLATION INSTRUCTIONS FOR FRAMING AND ROUGH-IN DIMINSIONS.

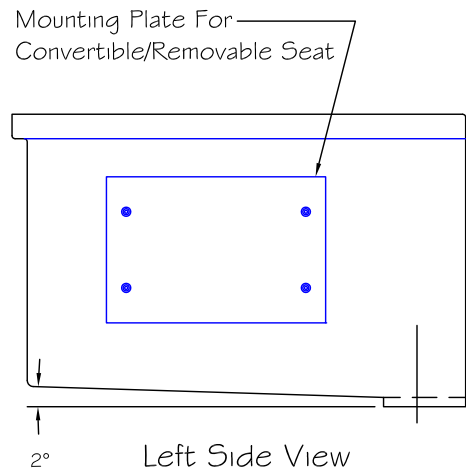
GENERAL NOTES:

DIMINSIONS ARE DIAGRAMMATICAL ONLY. CONTRACTOR TO FIELD VERIFY CONDITIONS PRIOR TO INSTALLATION.

DUE TO THE NATURE OF MATERIALS USED, MANUFACTURING TOLERANCE OF (± 1/4")



Front View



Left Side View

AQUA BATH CO.  
921 CHEROKEE AVENUE  
NASHVILLE, TN 37207

REV.	DR.	DATE	DESCRIPTION

TITLE:	DRN BY:
Transfer Shower Base	DATE:
MODEL NO.: B3636TD-FUS 3/4"	SCALE:
DRWG NO.:	3/4" = 1'-0"