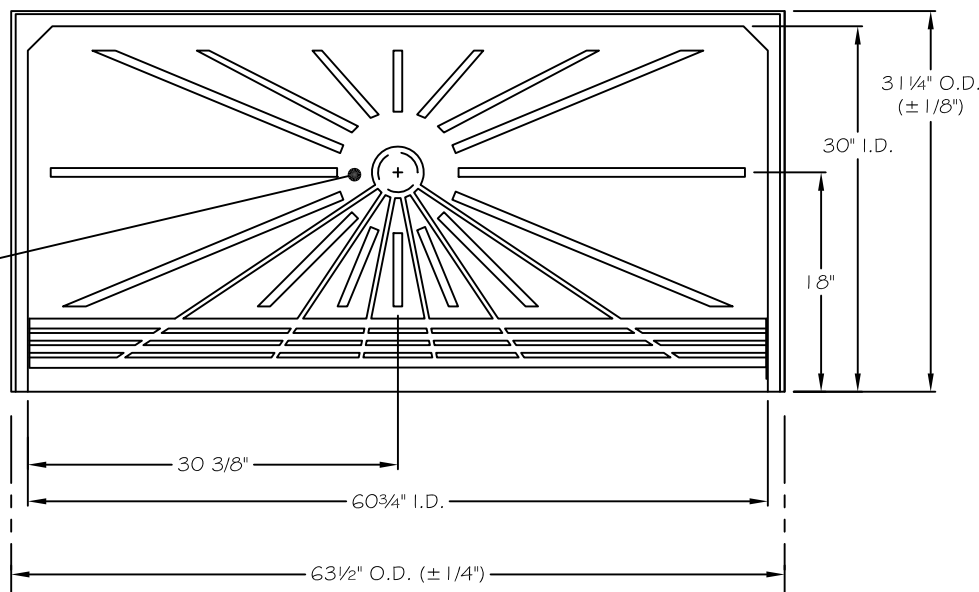


Notes:
 Manufacturing Tolerances Listed
 On O.D. Dimensions Of Unit.
 Field Conditions Should Be Set
 To Allow For Tolerances Of Unit.

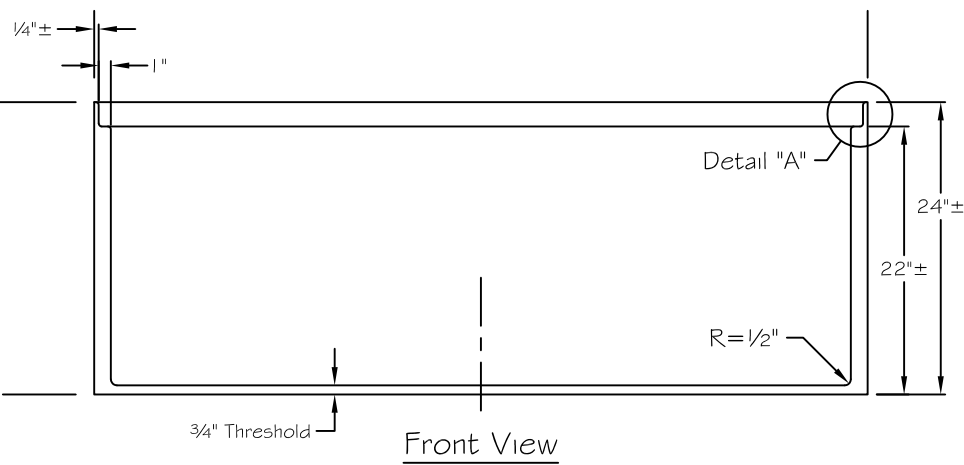
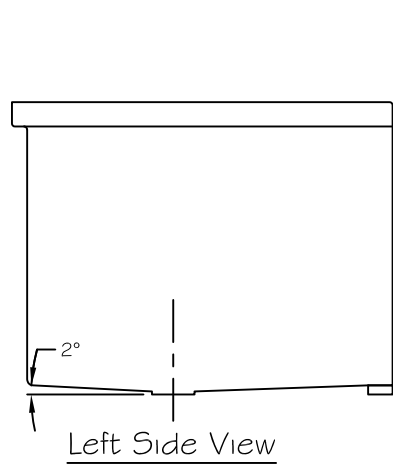
Top View



Ribbed Bottom For Slip
Resistance

B6030BF-VA

Note: Left Hand Unit Shown
 "Version A" - Ribbed Bottom



REV.	DR.	DATE	DESCRIPTION

AQUA BATH CO.
 921 CHEROKEE AVENUE
 NASHVILLE, TN 37207

TITLE: Roll-In Shower Base
 DRN BY:
 DATE:
 MODEL NO.: B6030BF 3/4"
 DRWG NO.:
 SCALE: 3/4" = 1'-0"