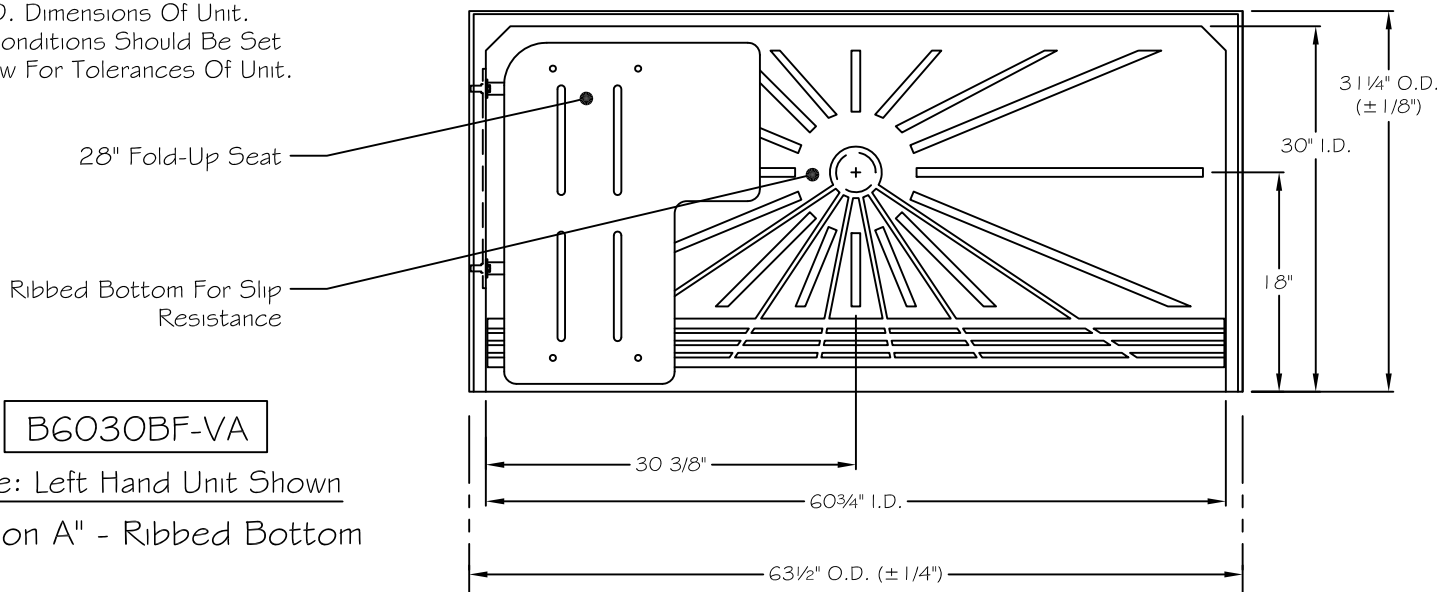


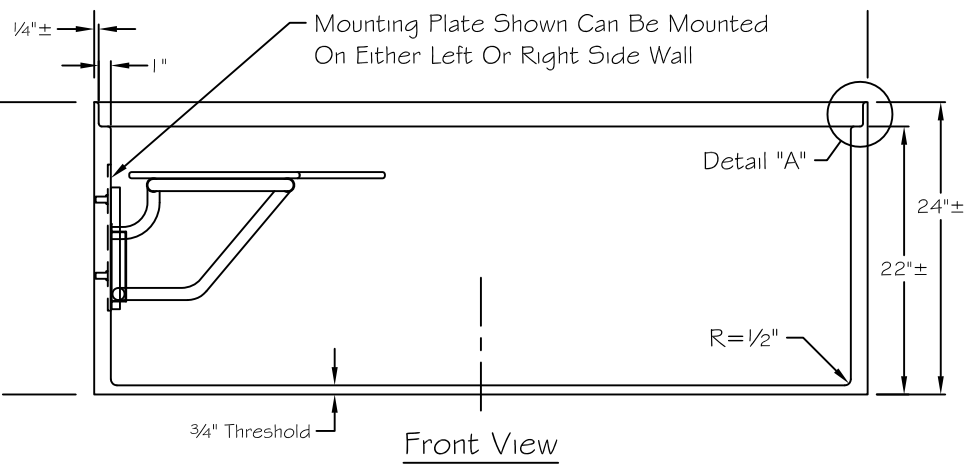
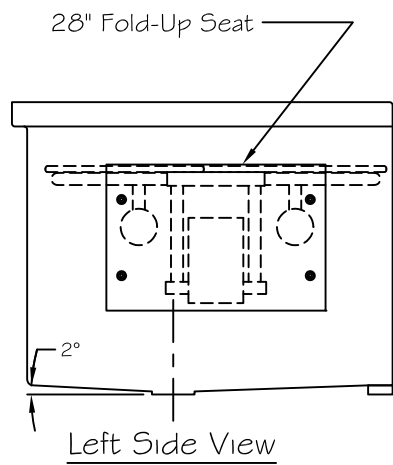
Notes:  
Manufacturing Tolerances Listed  
On O.D. Dimensions Of Unit.  
Field Conditions Should Be Set  
To Allow For Tolerances Of Unit.

Top View



**B6030BF-VA**

Note: Left Hand Unit Shown  
"Version A" - Ribbed Bottom



REV.	DR.	DATE	DESCRIPTION

**AQUA BATH CO.**  
921 CHEROKEE AVENUE  
NASHVILLE, TN 37207

TITLE: Roll-In Shower Base  
DRN BY:   
DATE:   
MODEL NO.: B6030BF-FUS 3/4"  
DRWG NO.:   
SCALE: 3/4" = 1'-0"