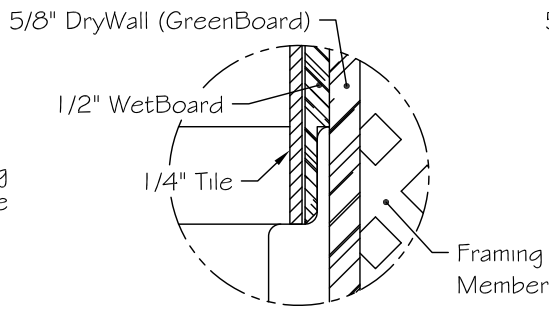
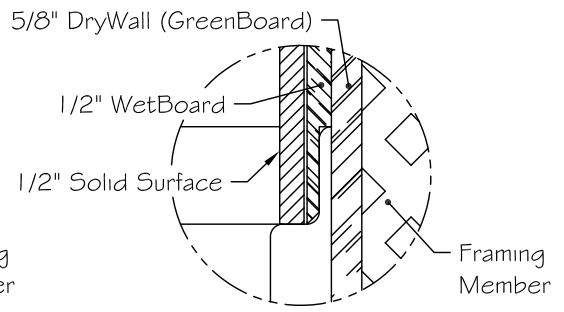


Detail "A"



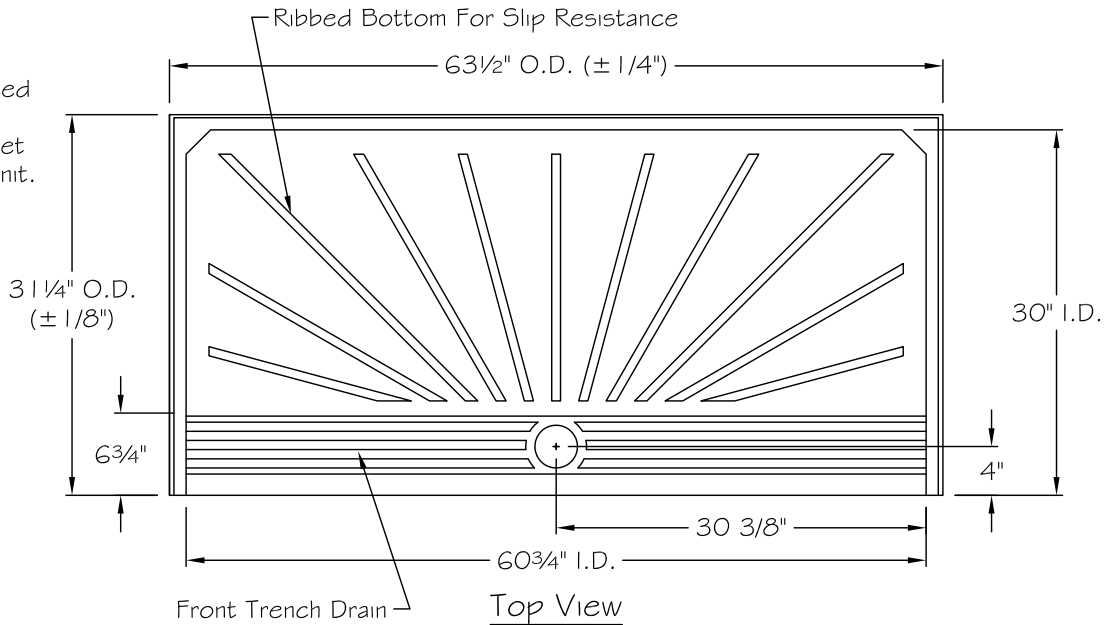
Finish Out Of Detail "A"
(For Tile Applications)



Finish Out Of Detail "A"
(For Solid Surface Applications)

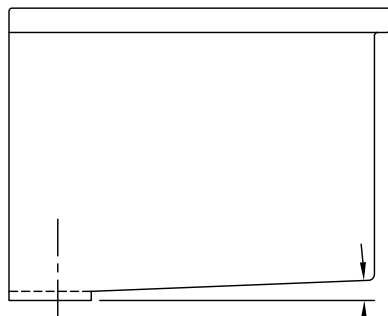
Notes:

Manufacturing Tolerances Listed On O.D. Dimensions Of Unit.
Field Conditions Should Be Set To Allow For Tolerances Of Unit.

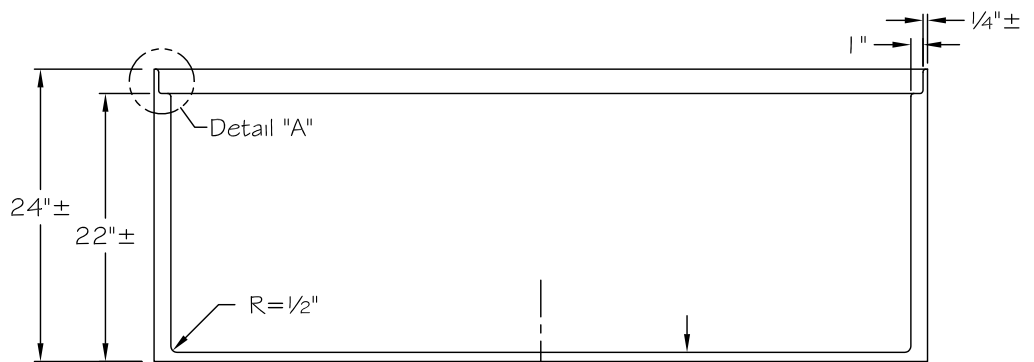


Top View

Note: Right Hand Unit Shown



Right Side View



Front View

				AQUA BATH CO.	
				921 CHEROKEE AVENUE NASHVILLE, TN 37207	
REV.	DR.	DATE	DESCRIPTION	TITLE:	DRN BY:
				Roll-In Shower Base	DATE:
				MODEL NO.: CB6030TD 3/4"	
				DRWG NO.:	SCALE: 3/4" = 1'-0"