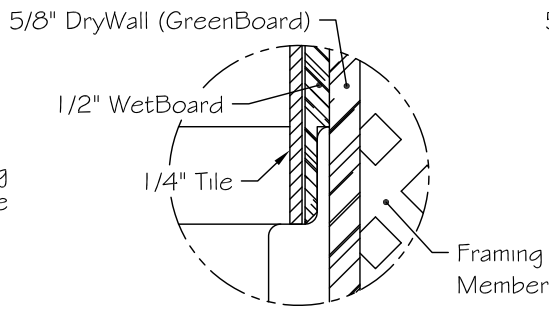
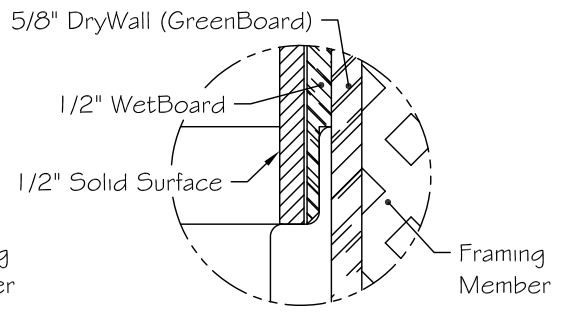


Detail "A"



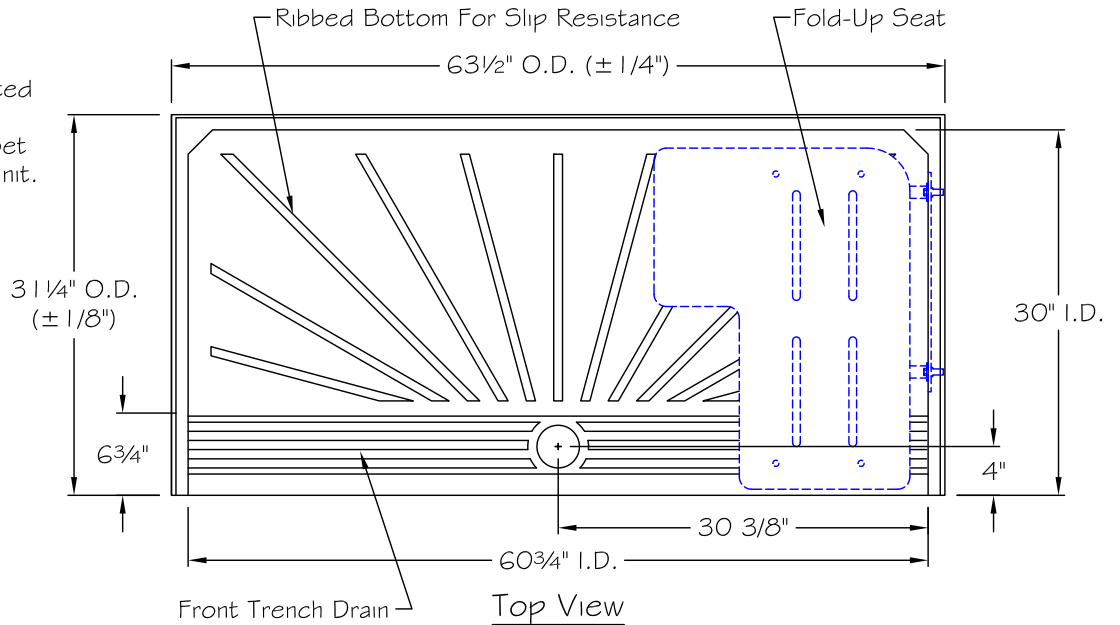
Finish Out Of Detail "A"
(For Tile Applications)



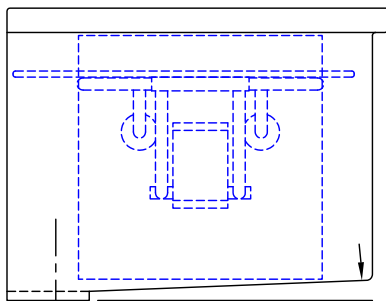
Finish Out Of Detail "A"
(For Solid Surface Applications)

Notes:

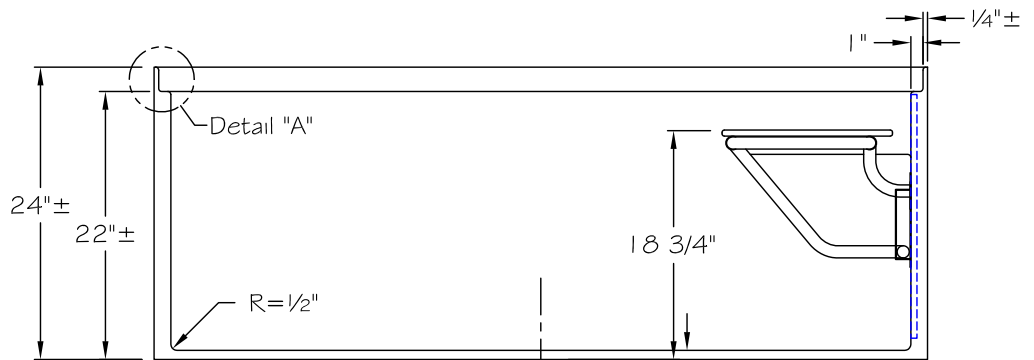
Manufacturing Tolerances Listed On O.D. Dimensions Of Unit.
Field Conditions Should Be Set To Allow For Tolerances Of Unit.



Note: Right Hand Unit Shown



Right Side View



Front View

				<h1>AQUA BATH CO.</h1> <p>921 CHEROKEE AVENUE NASHVILLE, TN 37207</p>	
REV.	DR.	DATE	DESCRIPTION	TITLE:	DRN BY:
				Roll-In Shower Base	DATE:
				MODEL NO.: CB6030TD-FUS 3/4"	
				DRWG NO.:	SCALE: 3/4" = 1'-0"