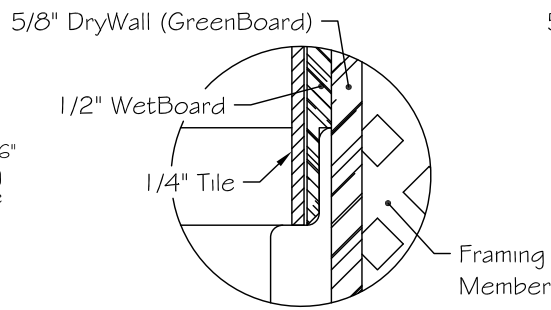
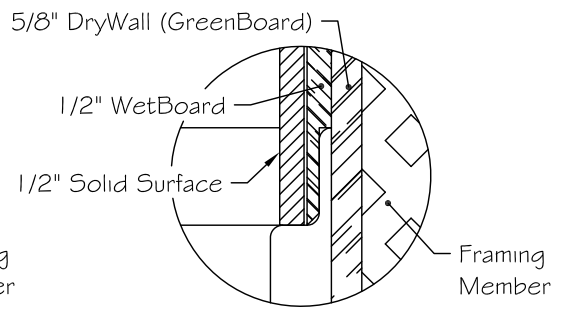


Detail "A"



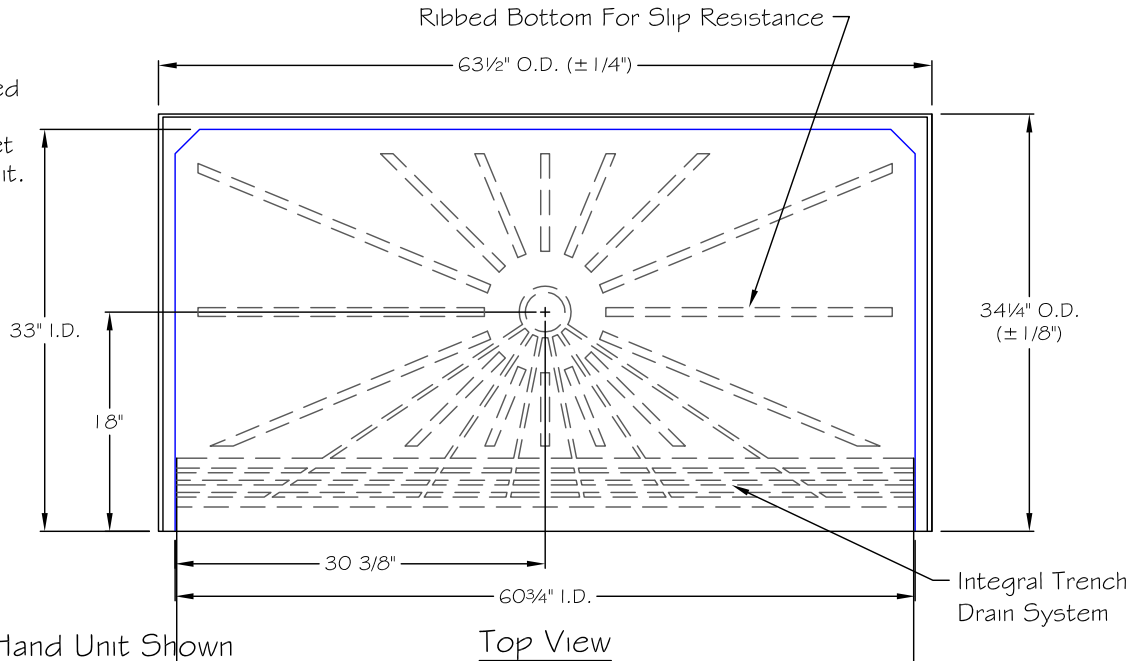
Finish Out Of Detail "A"
(For Tile Applications)



Finish Out Of Detail "A"
(For Solid Surface Applications)

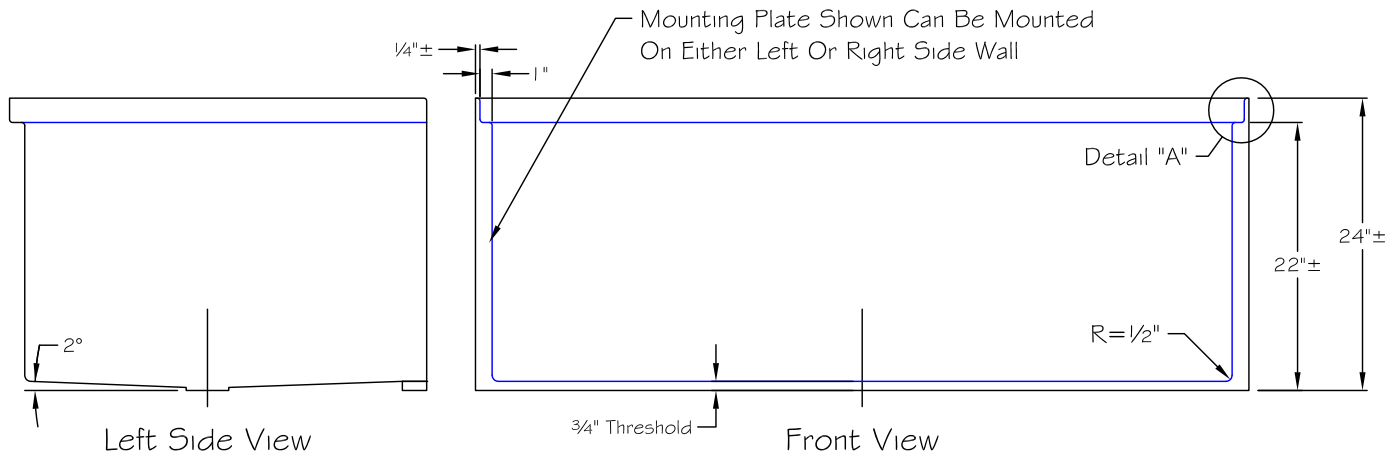
Notes:

Manufacturing Tolerances Listed On O.D. Dimensions Of Unit.
Field Conditions Should Be Set To Allow For Tolerances Of Unit.



Note: Left Hand Unit Shown

Top View



Left Side View

Front View

AQUA BATH CO.

921 CHEROKEE AVENUE
NASHVILLE, TN 37207

REV.	DR.	DATE	DESCRIPTION

TITLE:	DRN BY:
Roll-In Shower Base	DATE:
MODEL NO.: B6033BF 3/4"	SCALE:
DRWG NO.:	3/4" = 1'-0"