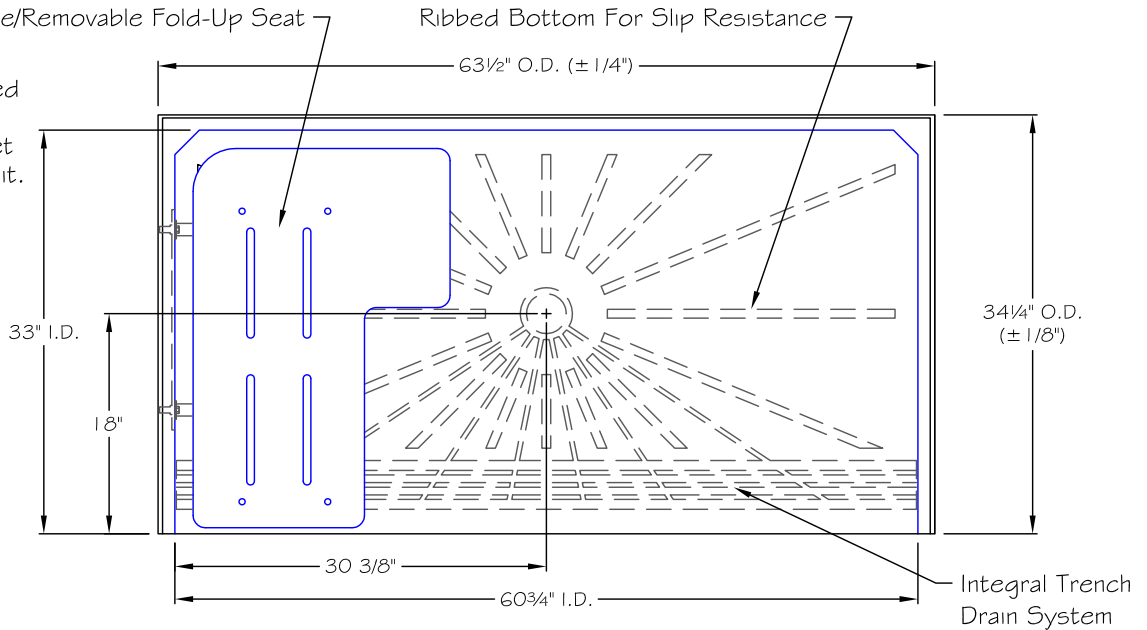


Notes:

Manufacturing Tolerances Listed On O.D. Dimensions Of Unit. Field Conditions Should Be Set To Allow For Tolerances Of Unit.

Optional Convertible/Removable Fold-Up Seat

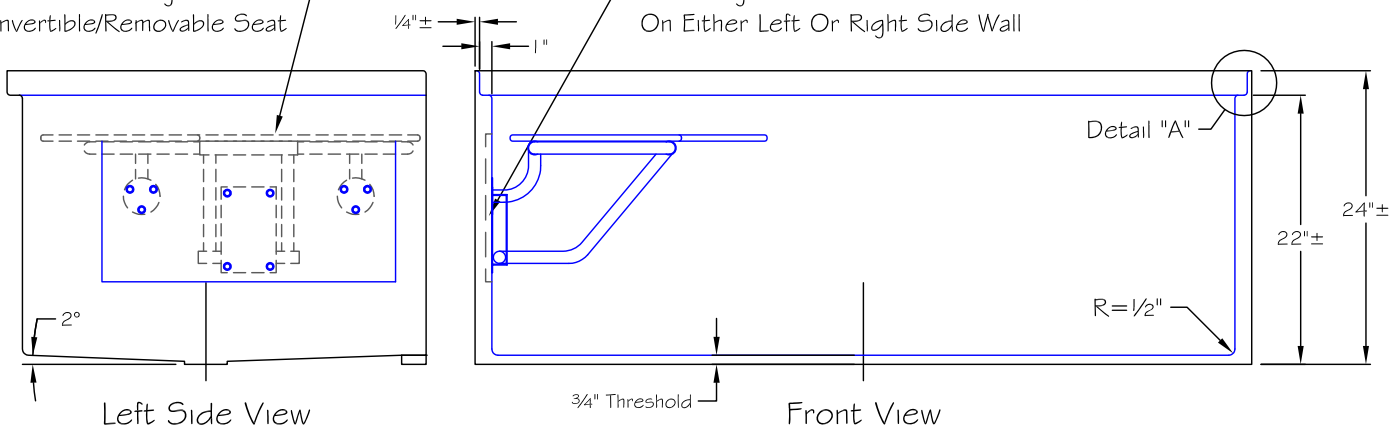
Ribbed Bottom For Slip Resistance



Top View

Mounting Plate For Convertible/Removable Seat

Mounting Plate Shown Can Be Mounted On Either Left Or Right Side Wall



# AQUA BATH CO.

921 CHEROKEE AVENUE  
NASHVILLE, TN 37207

REV.	DR.	DATE	DESCRIPTION

TITLE:	DRN BY:
Roll-In Shower Base	DATE:
MODEL NO.:	SCALE:
BG033BF-FUS 3/4"	3/4" = 1'-0"
DRWG NO.:	