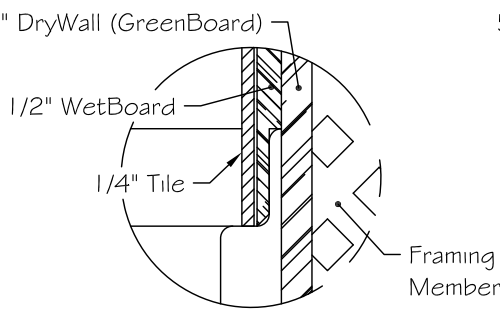
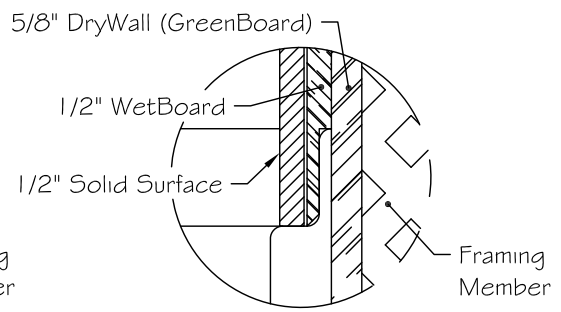


Detail "A"



Finish Out Of Detail "A"
(For Tile Applications)



Finish Out Of Detail "A"
(For Solid Surface Applications)

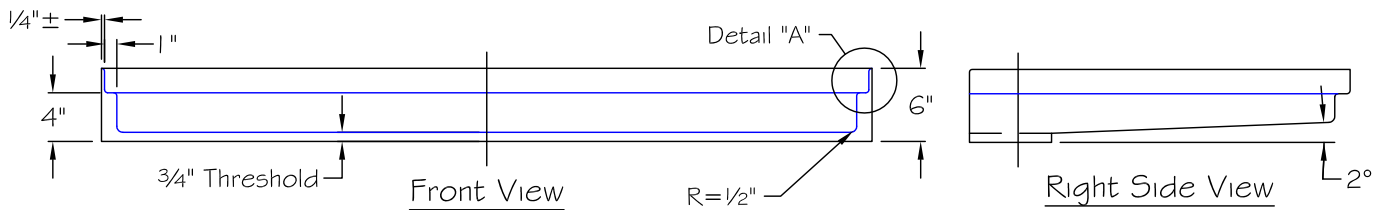
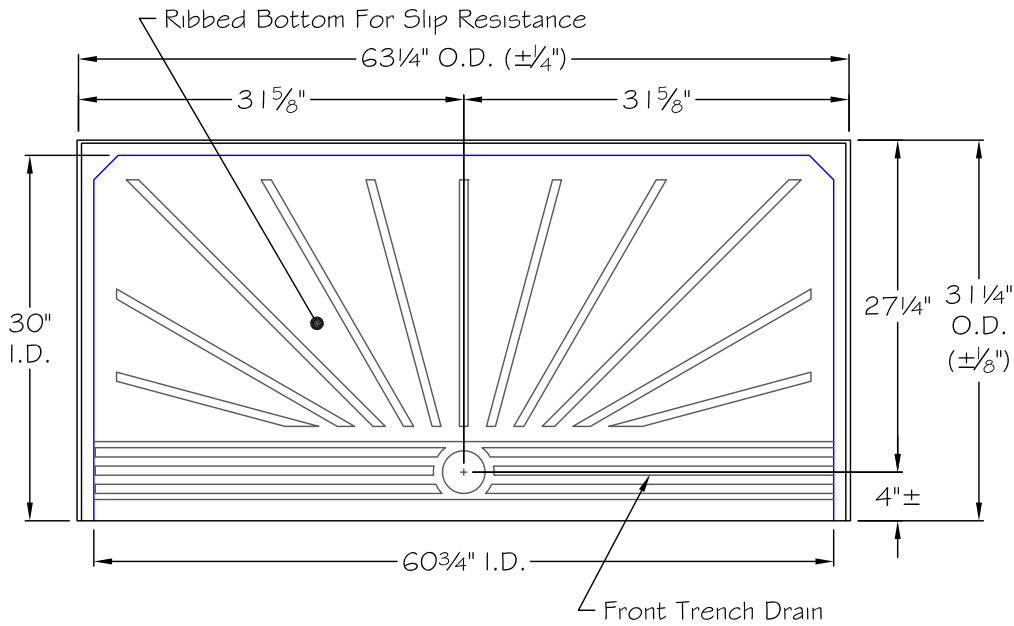
THIS DRAWING IS FOR SUBMITTAL PURPOSES ONLY. THIS DRAWINGS SHOULD NOT BE USED FOR INSTALLATION OF THIS UNIT. REFER TO AQUA BATH'S INSTALLATION INSTRUCTIONS FOR FRAMING AND ROUGH-IN DIMINSIONS.

GENERAL NOTES:

DIMINSIOINS ARE DIAGRAMMATICAL ONLY. CONTRACTOR TO FIELD VERIFY CONDITIONS PRIOR TO INSTALLATION.

DUE TO THE NATURE OF MATERIALS USED, MANUFACTURING TOLERANCE OF ($\pm 1/4$ ")

Top View



REV.	DR.	DATE	DESCRIPTION

AQUA BATH CO.
921 CHEROKEE AVENUE
NASHVILLE, TN 37207

TITLE: ADA Compliant Roll-In Shower Pan	DRN BY:
MODEL NO.: B6030TD	DATE:
DRWG NO.:	SCALE: 3/4" = 1'-0"