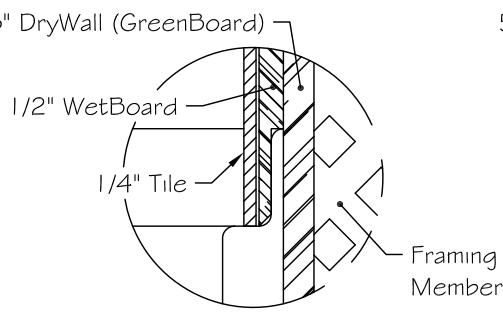
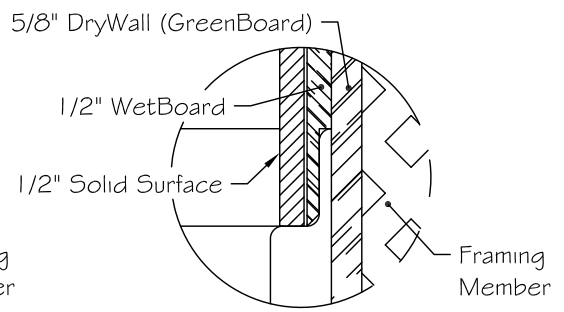


Detail "A"



Finish Out Of Detail "A"  
(For Tile Applications)



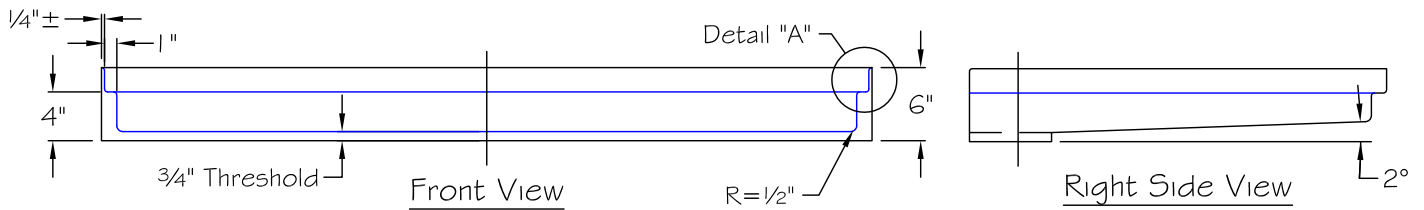
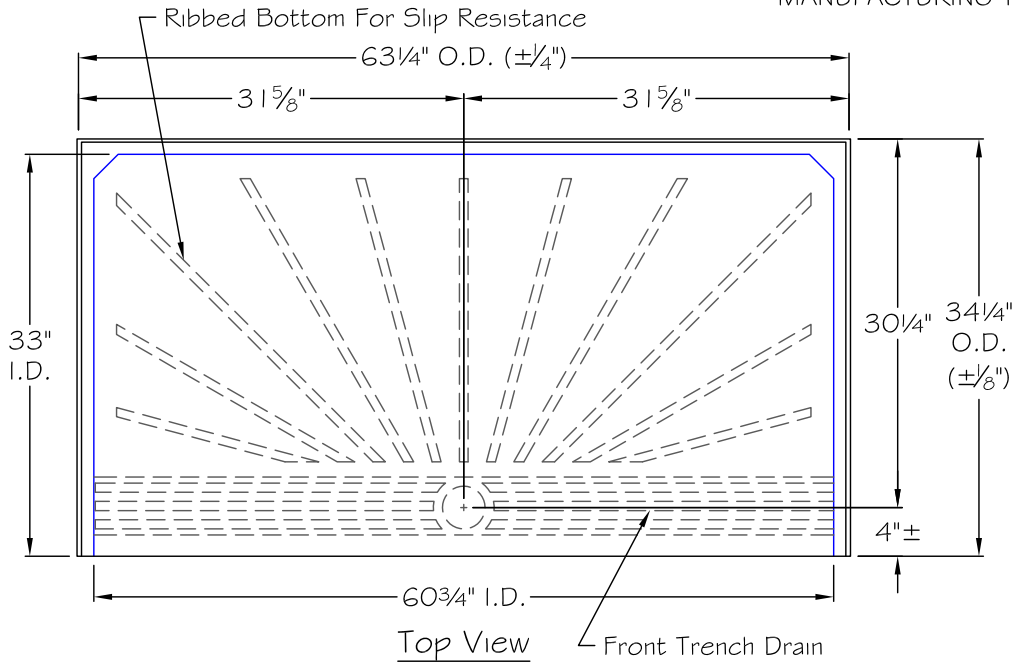
Finish Out Of Detail "A"  
(For Solid Surface Applications)

THIS DRAWING IS FOR SUBMITTAL PURPOSES ONLY. THIS DRAWINGS SHOULD NOT BE USED FOR INSTALLATION OF THIS UNIT. REFER TO AQUA BATH'S INSTALLATION INSTRUCTIONS FOR FRAMING AND ROUGH-IN DIMINSIONS.

GENERAL NOTES:

DIMINSIONS ARE DIAGRAMMATICAL ONLY. CONTRACTOR TO FIELD VERIFY CONDITIONS PRIOR TO INSTALLATION.

DUE TO THE NATURE OF MATERIALS USED, MANUFACTURING TOLERANCE OF ( $\pm 1/4$ " )



				<b>AQUA BATH CO.</b>	
				921 CHEROKEE AVENUE NASHVILLE, TN 37207	
REV.	DR.	DATE	DESCRIPTION	TITLE:	ADA Compliant Roll-In Shower Pan
				DRN BY:	
				DATE:	
				MODEL NO.:	CP6033TD
				DRWG NO.:	
				SCALE:	3/4" = 1'-0"