

THIS DRAWING IS FOR SUBMITTAL PURPOSES ONLY. THIS DRAWINGS SHOULD NOT BE USED FOR INSTALLATION OF THIS UNIT. REFER TO AQUA BATH'S INSTALLATION INSTRUCTIONS FOR FRAMING AND ROUGH-IN DIMENSIONS.


GENERAL NOTES:

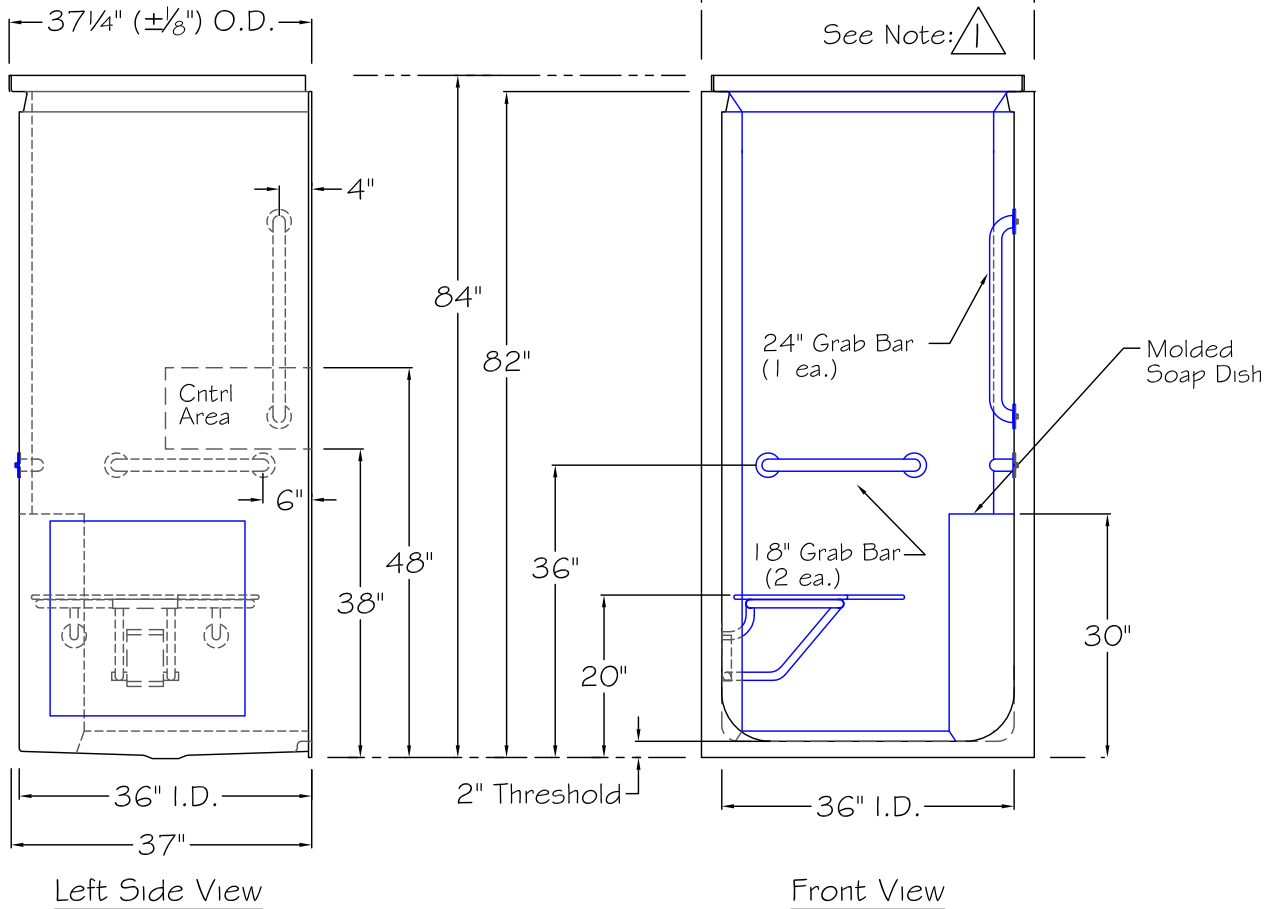
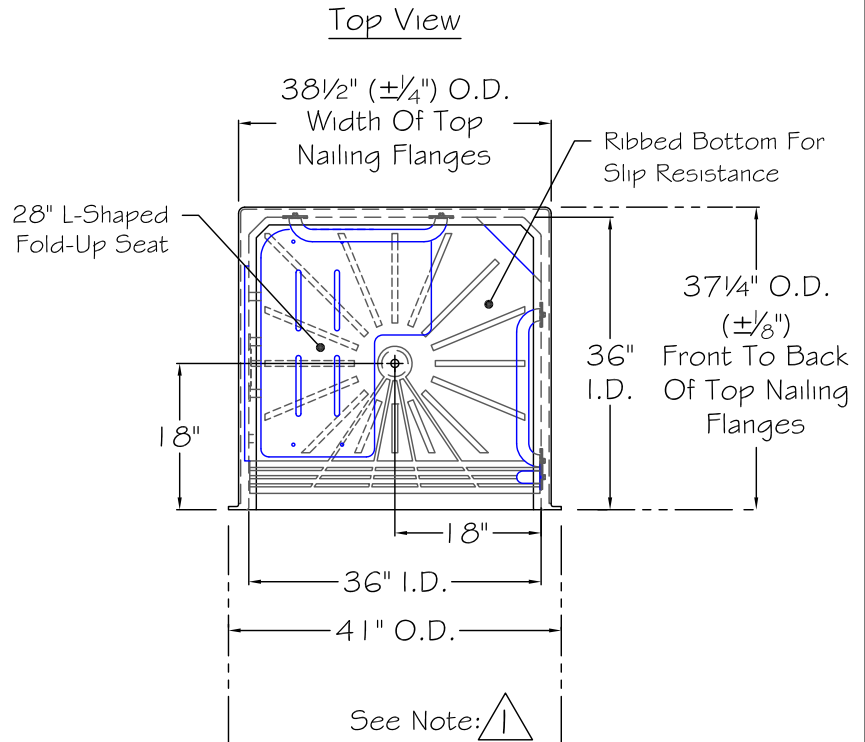
Dimensions are Diagrammatical only.
Contractor to Field Verify conditions prior to installation. Due to the nature of materials used, Manufacturing Tolerance of ($\pm 1/4$).

"Wet-Wall" is on the Right Hand Side.
Fold-Up Seat is on the Left Hand Side.

NOTE:

If the guidelines for installation are not followed in detail the risk of inadequate water drainage could be the results.

NOTE:  Concealed Flange Curtain Rod Available Option



Right Hand Unit Shown

AQUA BATH CO.

921 CHEROKEE AVENUE
NASHVILLE, TN 37207

REV.	DR.	DATE	DESCRIPTION

TITLE: Shower (Open Top Unit)	DRN BY:
MODEL NO.: IS413684BF-OT-FUS 2"	DATE:
DRWG NO.:	SCALE: 1/2" = 1'-0"