

THIS DRAWING IS FOR SUBMITTAL PURPOSES ONLY. THIS DRAWINGS SHOULD NOT BE USED FOR INSTALLATION OF THIS UNIT. REFER TO AQUA BATH'S INSTALLATION INSTRUCTIONS FOR FRAMING AND ROUGH-IN DIMENSIONS.


**GENERAL NOTES:**

Dimensions are Diagrammatical only.  
Contractor to Field Verify conditions prior to installation. Due to the nature of materials used, Manufacturing Tolerance of ( $\pm 1/4$ ).

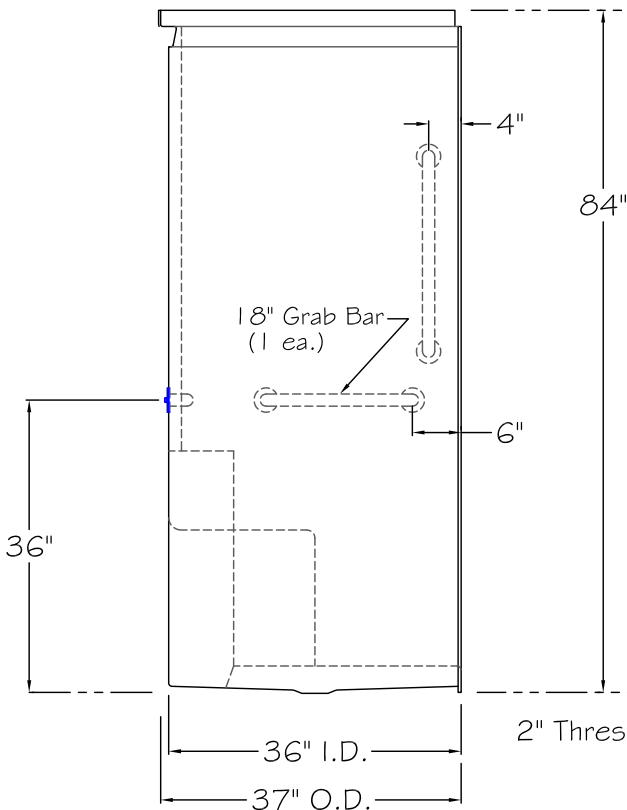
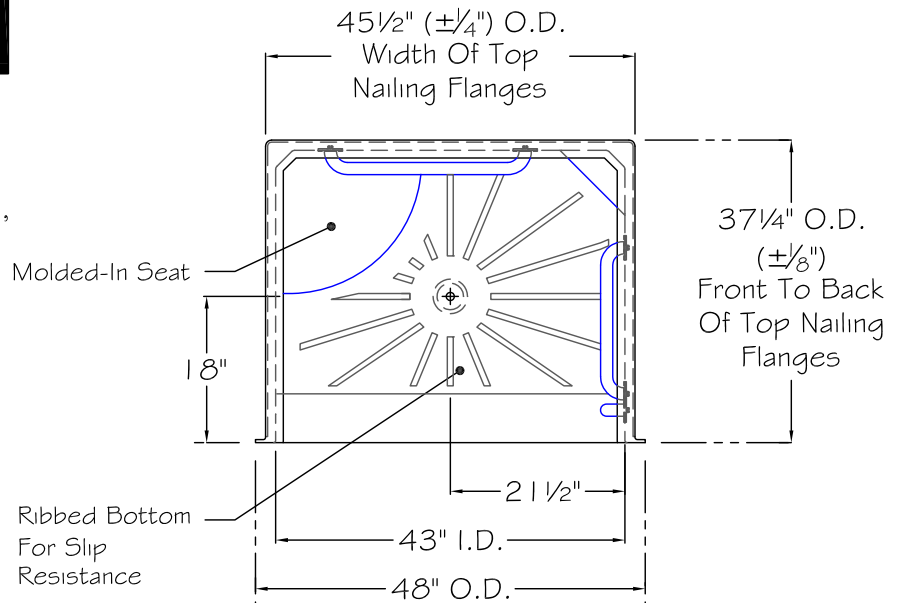
"Wet-Wall" is on the Right Hand Side.  
Fold-Up Seat is on the Right Hand Side.

**NOTE:**

If the guidelines for installation are not followed in detail the risk of inadequate water drainage could be the results.

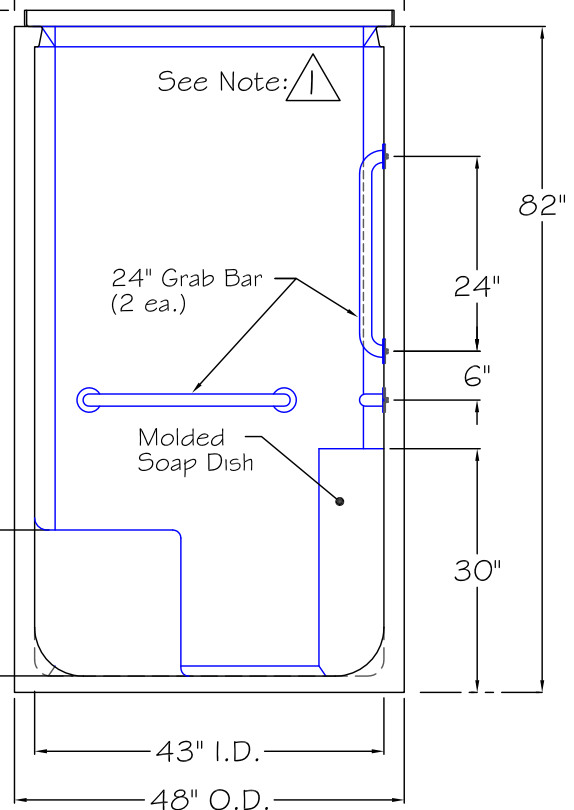
**NOTE:**  Concealed Flange Curtain Rod Available Option

Top View



Left Side View

\*\*Right Hand Unit Shown\*\*



Front View

**AQUA BATH CO.**

921 CHEROKEE AVENUE  
NASHVILLE, TN 37207

REV.	DR.	DATE	DESCRIPTION

TITLE: Shower (Open Top Unit)	DRN BY:
MODEL NO.: IS483684BF-OT-MS 2"	DATE:
DRWG NO.:	SCALE: 1/2" = 1'-0"