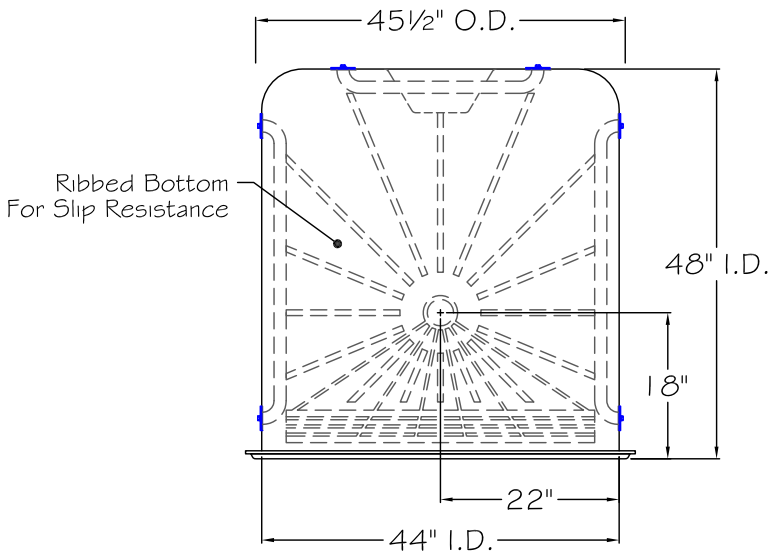


THIS DRAWING IS FOR SUBMITTAL PURPOSES ONLY. THIS DRAWINGS SHOULD NOT BE USED FOR INSTALLATION OF THIS UNIT. REFER TO AQUA BATH'S INSTALLATION INSTRUCTIONS FOR FRAMING AND ROUGH-IN DIMINSIONS.

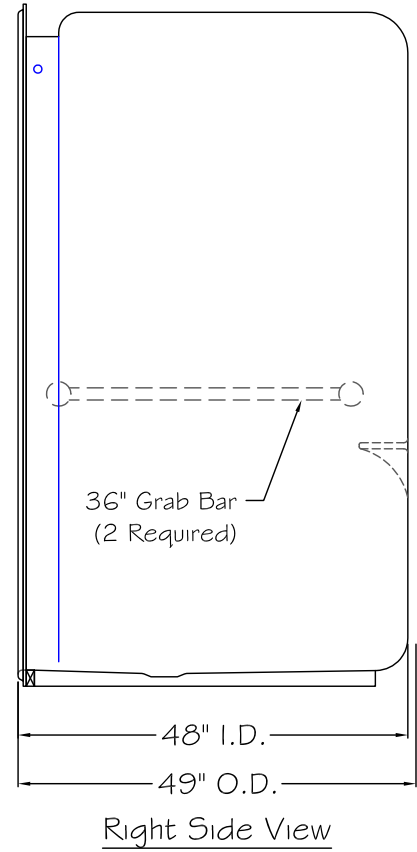
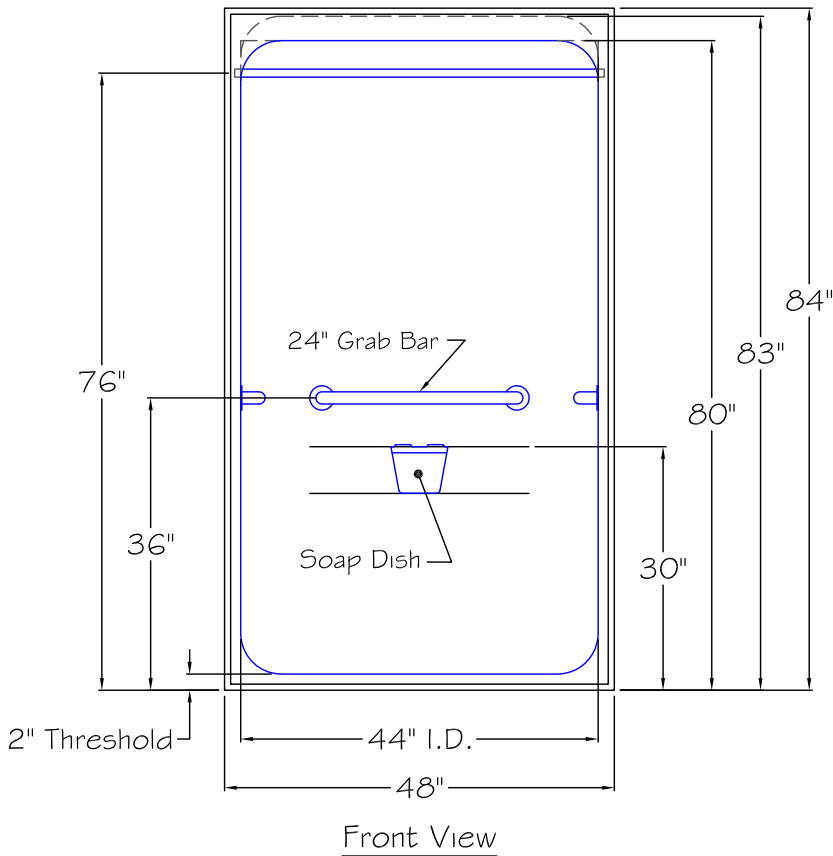


**GENERAL NOTES:**

Dimensions are Diagrammatical only. Contractor to Field Verify conditions prior to installation. Due to the nature of materials used, Manufacturing Tolerance of ( $\pm 1/4$ ).

**NOTE:**

If the guidelines for installation are not followed in detail the risk of inadequate water drainage could be the results.



SYMMETRICAL UNIT SHOWN, HAND TBD IN FIELD

**AQUA BATH CO.**

921 CHEROKEE AVENUE  
NASHVILLE, TN 37207

REV.	DR.	DATE	DESCRIPTION

TITLE:	Acrylic Shower Stall	DRN BY:	CDB
MODEL NO.:	IS4848BF 2"	DATE:	01/11/2013
DRWG NO.:		SCALE:	1/2" = 1'-0"