

THIS DRAWING IS FOR SUBMITTAL PURPOSES ONLY. THIS DRAWINGS SHOULD NOT BE USED FOR INSTALLATION OF THIS UNIT. REFER TO AQUA BATH'S INSTALLATION INSTRUCTIONS FOR FRAMING AND ROUGH-IN DIMENSIONS.

GENERAL NOTES:

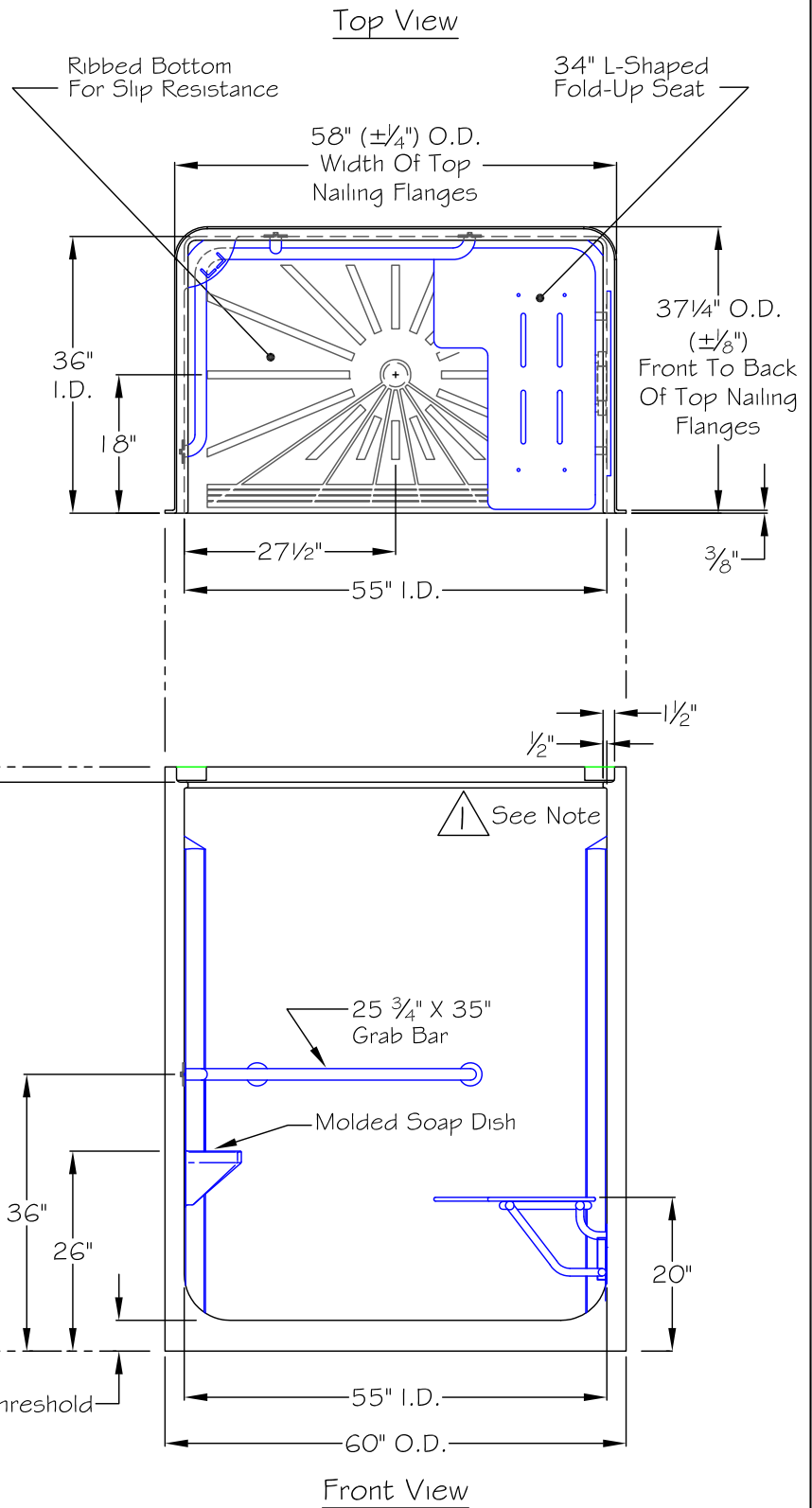
Dimensions are Diagrammatical only.
Contractor to Field Verify conditions prior to installation. Due to the nature of materials used, Manufacturing Tolerance of ($\pm 1/4$).

Fold-Up Seat (FUS) is on the Right Hand Side.

NOTE:

If the guidelines for installation are not followed in detail the risk of inadequate water drainage could be the results.

 Concealed Flange Curtain Rod Available Option



RIGHT HAND UNIT SHOWN

AQUA BATH CO.

921 CHEROKEE AVENUE
NASHVILLE, TN 37207

| REV. | DR. | DATE | DESCRIPTION |
|------|-----|------|-------------|
| | | | |
| | | | |
| | | | |

| | |
|---|------------------------|
| TITLE: Acrylic Shower Stall (Open Top Unit) | DRN BY: |
| MODEL NO.: IS6036SH-OT-FUS MOD 4" | DATE: |
| DRWG NO.: | SCALE: 1/2" = 1'-0" |