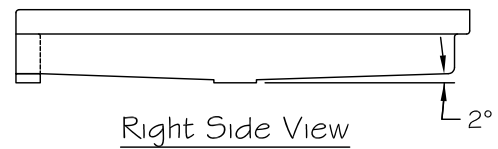
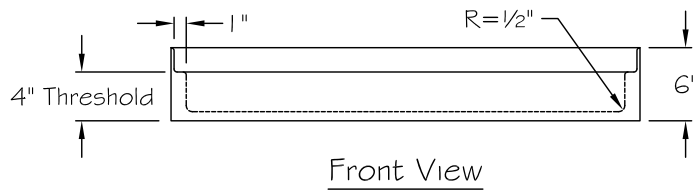
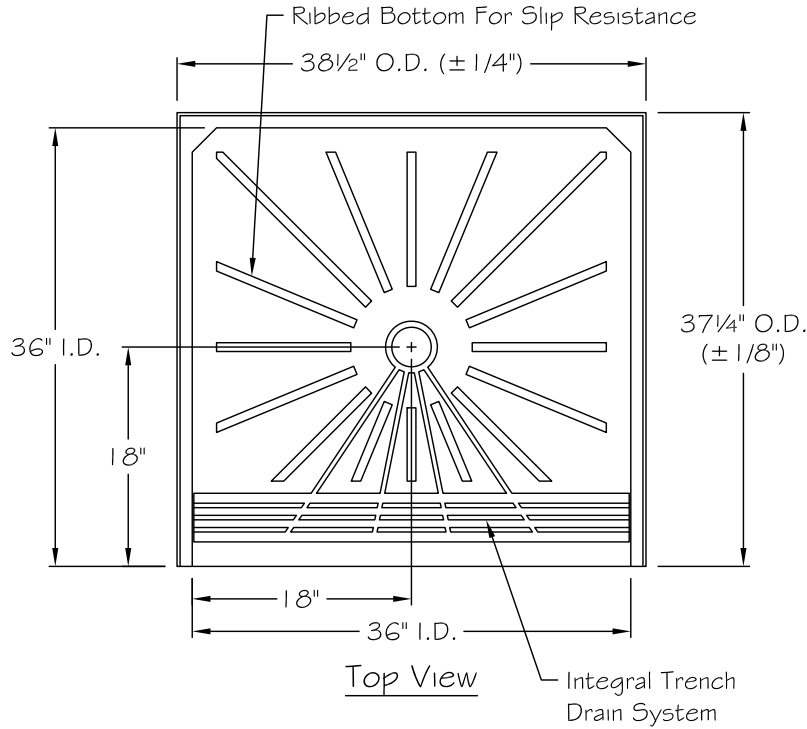


Notes:

1. Manufacturing Tolerances Listed On O.D. Dimensions Of Unit. Field Conditions Should Be Set To Allow For Tolerances Of Unit.



"Version A" - Ribbed Bottom

AQUA BATH CO.

921 CHEROKEE AVENUE
NASHVILLE, TN 37207

REV.	DR.	DATE	DESCRIPTION

TITLE:	DRN BY:
Arylic Shower Pan	DATE:
MODEL NO.:	SCALE:
P3636SH MOD 4"	3/4" = 1'-0"
DRWG NO.:	