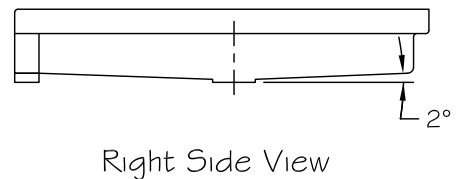
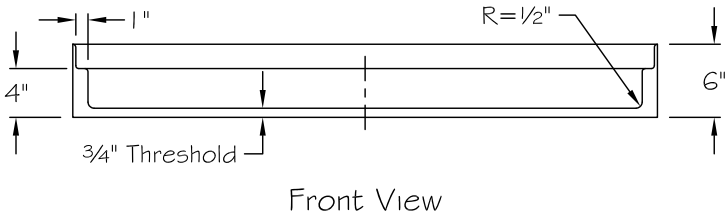
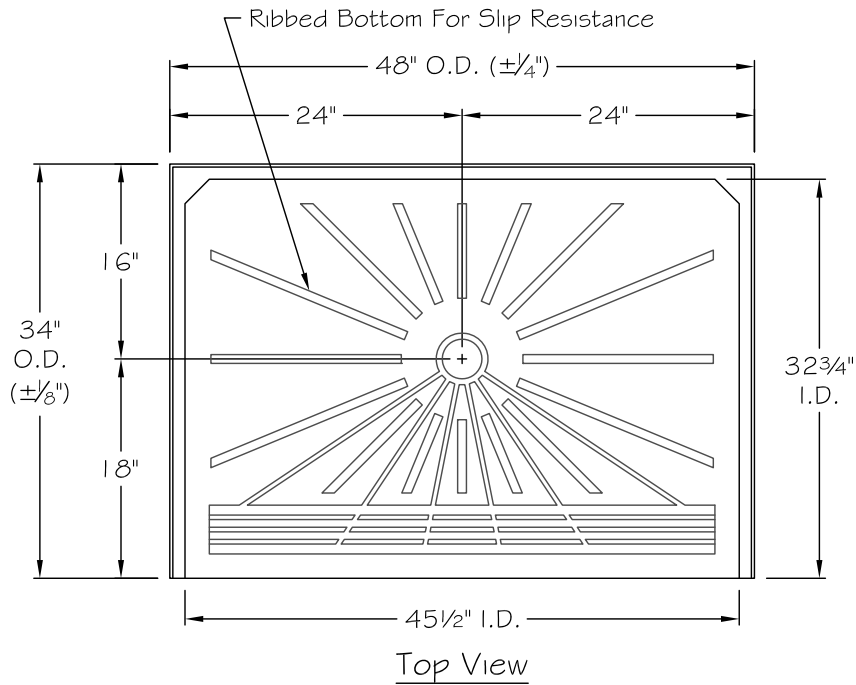


Notes:

1. Manufacturing Tolerance Of ( $\pm 1/4"$ )  
Due To The Nature Of Materials Used



				<h1>AQUA BATH CO.</h1> <p>921 CHEROKEE AVENUE NASHVILLE, TN 37207</p>	
REV.	DR.	DATE	DESCRIPTION	TITLE:	DRN BY:
				Arylic Shower Pan	DATE:
				MODEL NO.: P4834BF - 3/4"	
				DRWG NO.:	SCALE: 3/4" = 1'-0"