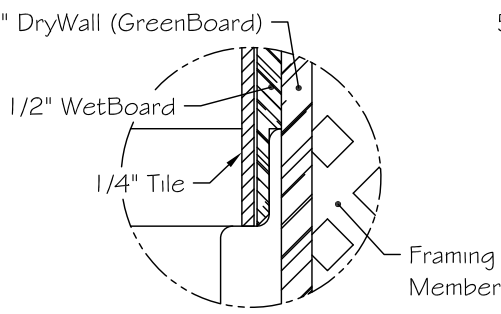
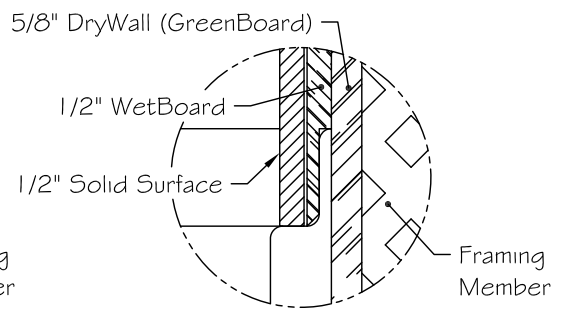


Detail "A"



Finish Out Of Detail "A"  
(For Tile Applications)



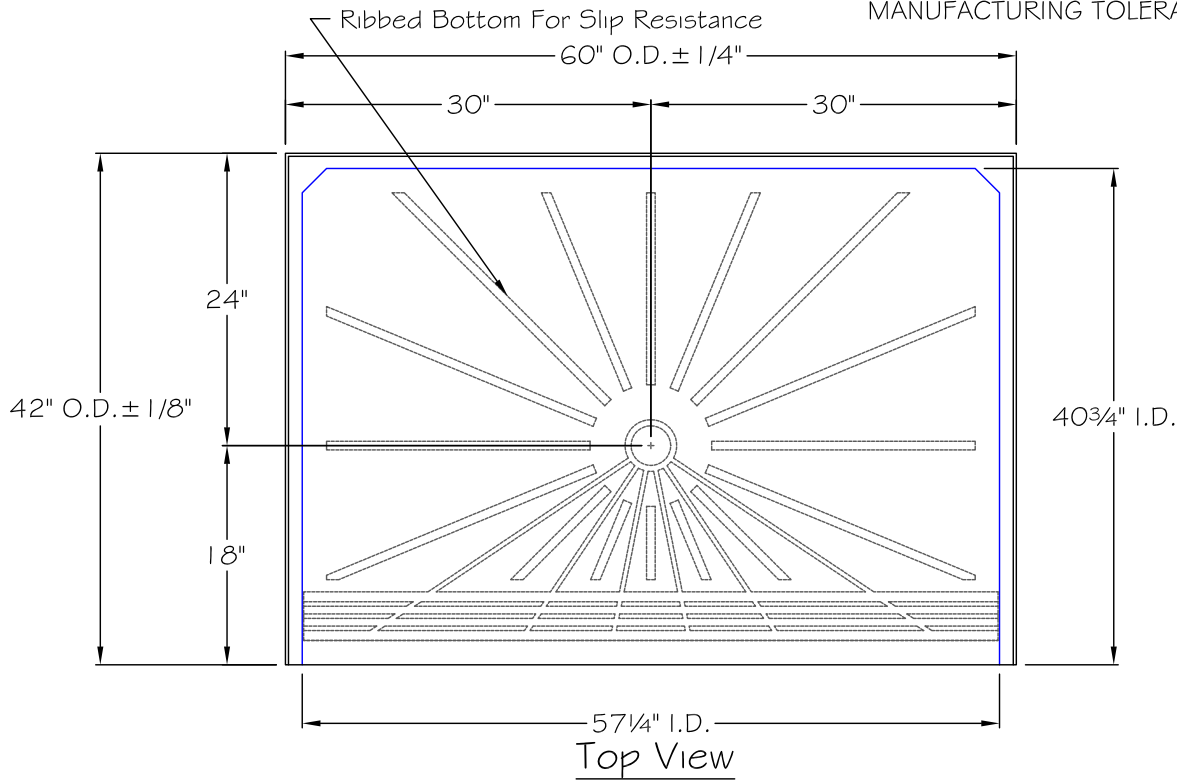
Finish Out Of Detail "A"  
(For Solid Surface Applications)

THIS DRAWING IS FOR SUBMITTAL PURPOSES ONLY. THIS DRAWINGS SHOULD NOT BE USED FOR INSTALLATION OF THIS UNIT. REFER TO AQUA BATH'S INSTALLATION INSTRUCTIONS FOR FRAMING AND ROUGH-IN DIMINSIONS.

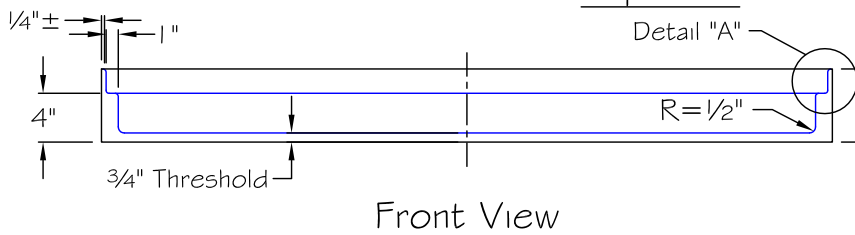
GENERAL NOTES:

DIMINSIONS ARE DIAGRAMMATICAL ONLY. CONTRACTOR TO FIELD VERIFY CONDITIONS PRIOR TO INSTALLATION.

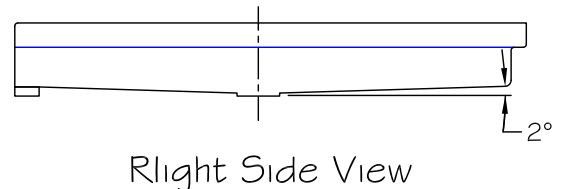
DUE TO THE NATURE OF MATERIALS USED, MANUFACTURING TOLERANCE OF ( $\pm 1/4$ " )



Top View



Front View



Right Side View

REV.	DR.	DATE	DESCRIPTION

**AQUA BATH CO.**  
921 CHEROKEE AVENUE  
NASHVILLE, TN 37207

TITLE: Acrylic Shower Pan	DRN BY:
MODEL NO.: P6042BF 3/4"	DATE:
DRWG NO.:	SCALE: 3/4" = 1'-0"