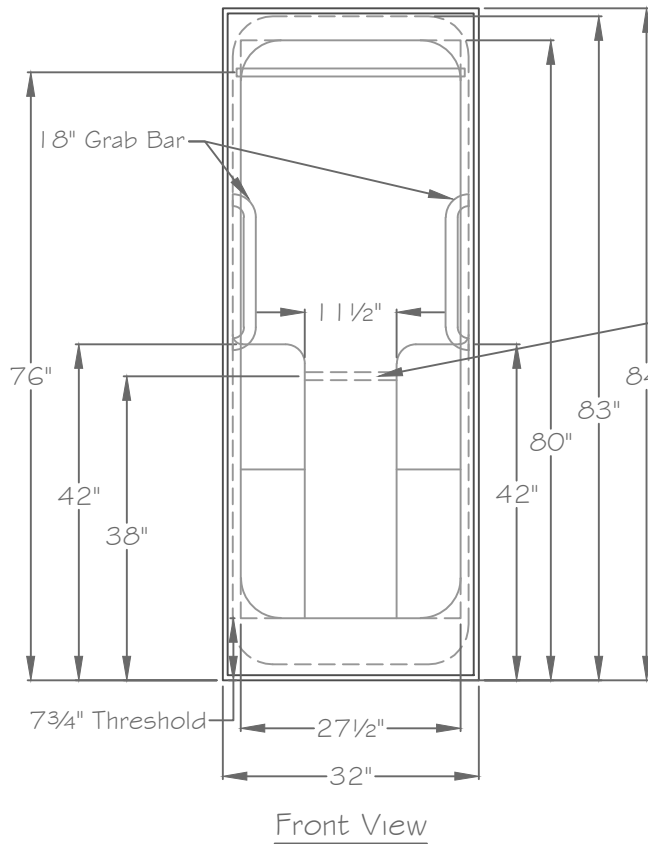
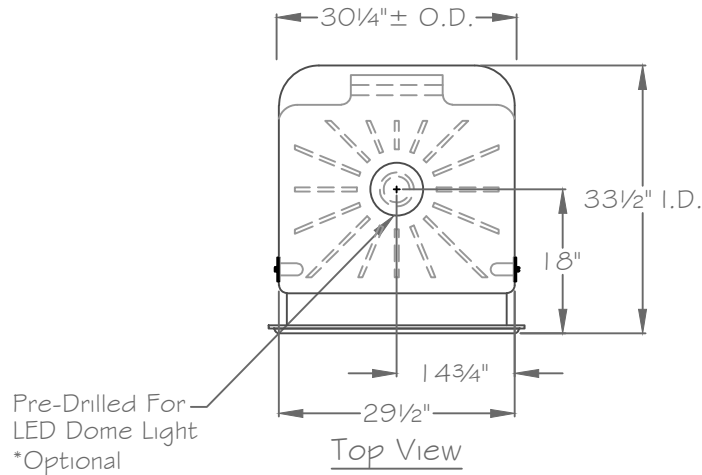


THIS DRAWING IS FOR SUBMITTAL PURPOSES ONLY. THIS DRAWINGS SHOULD NOT BE USED FOR INSTALLATION OF THIS UNIT. REFER TO AQUA BATH'S INSTALLATION INSTRUCTIONS FOR FRAMING AND ROUGH-IN DIMENSIONS.

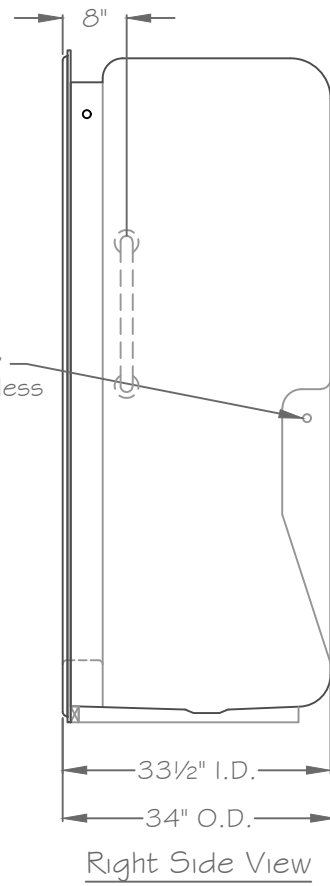
GENERAL NOTES:

DIMENSIONS ARE DIAGRAMMATICAL ONLY. CONTRACTOR TO FIELD VERIFY CONDITIONS PRIOR TO INSTALLATION.

DUE TO THE NATURE OF MATERIALS USED, MANUFACTURING TOLERANCE OF ($\pm 1/4"$)



Towel Bar Clear Acrylic or Stainless Steel *Optional



				AQUA BATH CO.	
				305 PLUS PARK BLVD NASHVILLE, TN 37217	
REV.	DR.	DATE	DESCRIPTION	TITLE:	DRN BY:
				Acrylic Shower Stall	CDB
					DATE:
				MODEL NO.:	IS32345H
				DRWG NO.:	SCALE: 1/2" = 1'-0"