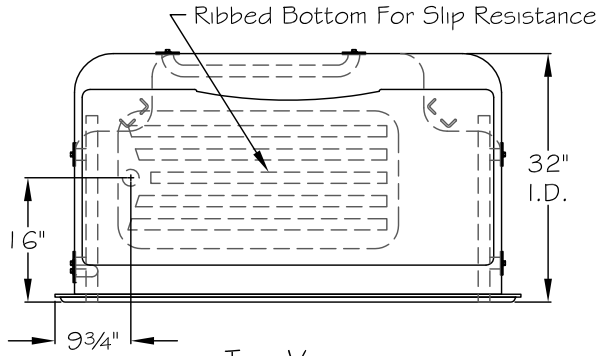


THIS UNIT IS REQUIRED TO HAVE A LOS (LIFT OUT SEAT) TO BE ADA COMPLIANT. SEAT NOT SHOWN FOR CLARITY PURPOSES.

THIS DRAWING IS FOR SUBMITTAL PURPOSES ONLY. THIS DRAWINGS SHOULD NOT BE USED FOR INSTALLATION OF THIS UNIT. REFER TO AQUA BATH'S INSTALLATION INSTRUCTIONS FOR FRAMING AND ROUGH-IN DIMINSIONS.

IT IS THE SOLE RESPONSIBILITY OF THE END USER TO CHECK WITH YOUR LOCAL CITY AND STATE FOR CODE COMPLIANCY. AQUA BATH'S ADVERTISED ADA COMPLIANT UNITS ARE BASED ON OUR INTERPRETATION OF THE AMERICANS WITH DISABILITIES ACT 2010 GUIDELINES. FEILD ALTERATIONS OR IMPROPER INSTALLATION COULD TAKE THE UNITS OUT OF COMPLIANCE. AQUA BATH ACCEPTS NO RESPONSIBILTLY FOR FINAL CODE COMPLIANCE.

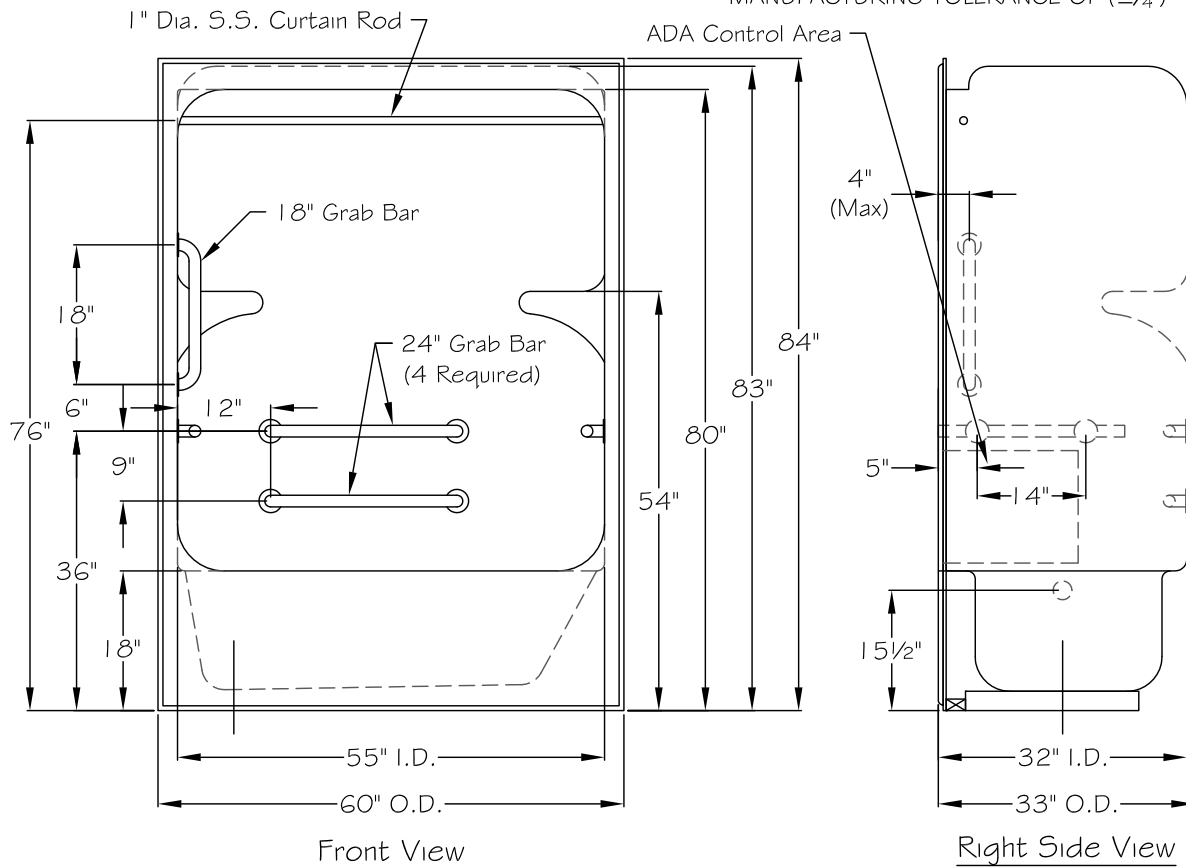


Top View

GENERAL NOTES:

DIMINSIOINS ARE DIAGRAMMATICAL ONLY. CONTRACTOR TO FIELD VERIFY CONDITIONS PRIOR TO INSTALLATION.

DUE TO THE NATURE OF MATERIALS USED, MANUFACTURING TOLERANCE OF ($\pm 1/4$ ")



Front View

Right Side View

LEFT HAND UNIT SHOWN

AQUA BATH CO.
 305 PLUS PARK BLVD
 NASHVILLE, TN 37217

REV.	DR.	DATE	DESCRIPTION	TITLE:	DRN BY:
				ADA Tub / Shower	CDB
				MODEL NO.:	DATE:
				C6032TS	09/20/19
				DRWG NO.:	SCALE:
					1/2" = 1'-0"