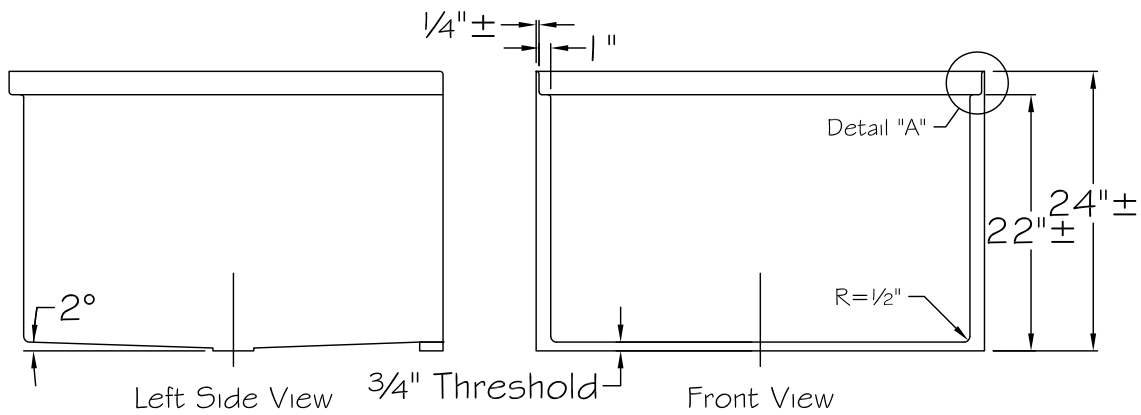
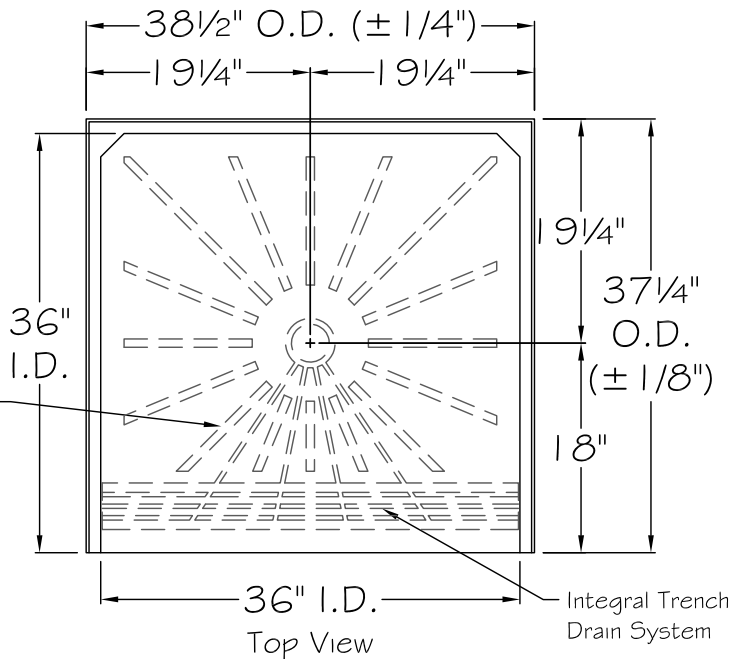


Notes:

Manufacturing Tolerances Listed  
On O.D. Dimensions Of Unit.  
Field Conditions Should Be Set  
To Allow For Tolerances Of Unit.

Ribbed Bottom For Slip Resistance



				<b>AQUA BATH CO.</b>	
				305 PLUS PARK BLVD NASHVILLE, TN 37217	
REV.	DR.	DATE	DESCRIPTION	TITLE:	DRN BY:
				Transfer Shower Base	CDB
				MODEL NO.:	DATE:
				B3636BF 3/4"	09/30/19
				DRWG NO.:	SCALE:
					3/4" = 1'-0"