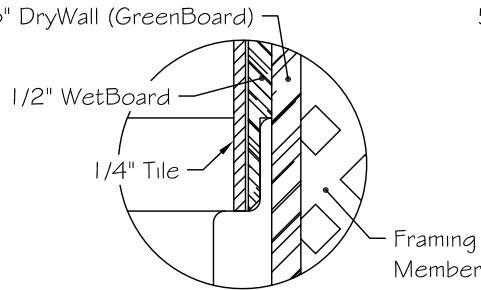
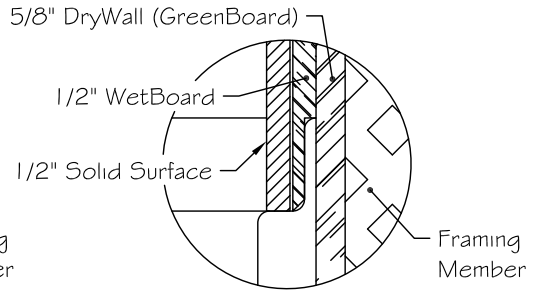


Detail "A"



Finish Out Of Detail "A"  
(For Tile Applications)



Finish Out Of Detail "A"  
(For Solid Surface Applications)

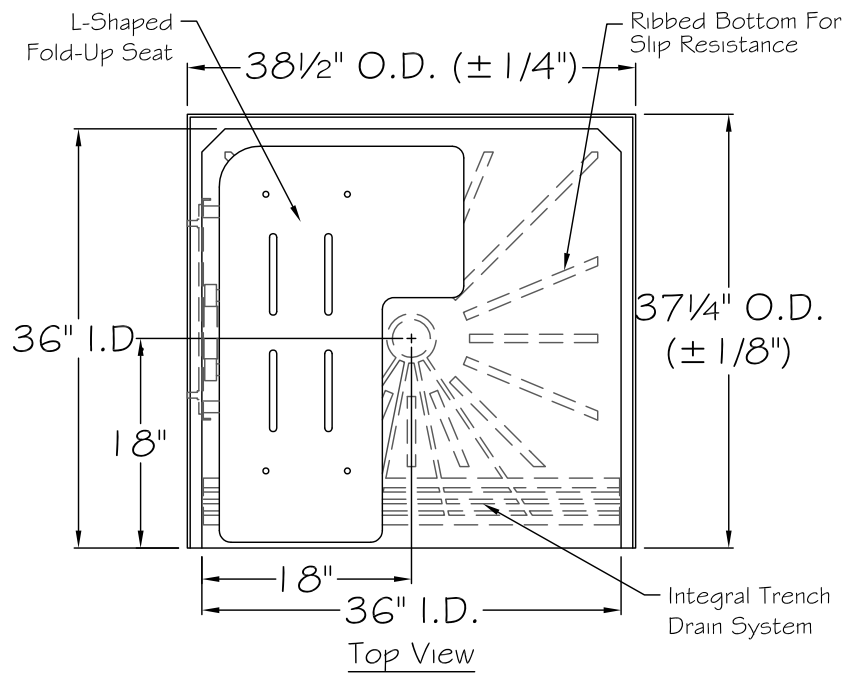
THIS DRAWING IS FOR SUBMITTAL PURPOSES ONLY. THIS DRAWINGS SHOULD NOT BE USED FOR INSTALLATION OF THIS UNIT. REFER TO AQUA BATH'S INSTALLATION INSTRUCTIONS FOR FRAMING AND ROUGH-IN DIMINSIONS.

IT IS THE SOLE RESPONSIBILITY OF THE END USER TO CHECK WITH YOUR LOCAL CITY AND STATE FOR CODE COMPLIANCY. AQUA BATH'S ADVERTISED ADA COMPLIANT UNITS ARE BASED ON OUR INTERPRETATION OF THE AMERICANS WITH DISABILITIES ACT 2010 GUIDELINES. FEILD ALTERATIONS OR IMPROPER INSTALLATION COULD TAKE THE UNITS OUT OF COMPLIANCE. AQUA BATH ACCEPTS NO RESPONSIBLITY FOR FINAL CODE COMPLIANCE.

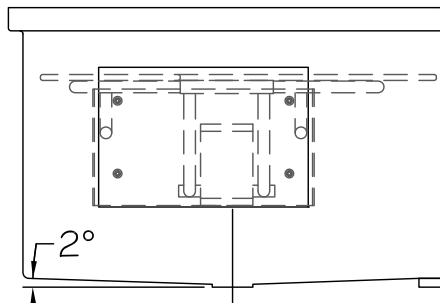
GENERAL NOTES:

DIMINSIOINS ARE DIAGRAMMATICAL ONLY. CONTRACTOR TO FIELD VERIFY CONDITIONS PRIOR TO INSTALLATION.

DUE TO THE NATURE OF MATERIALS USED, MANUFACTURING TOLERANCE OF ( $\pm 1/4$ " )

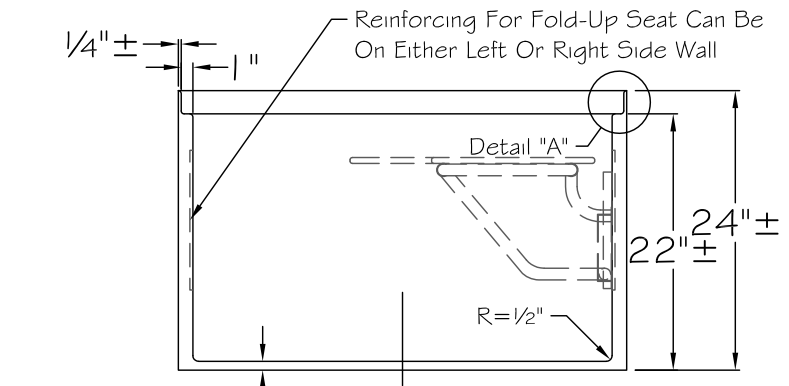


Top View



Left Side View

RIGHT HAND (WET WALL) UNIT SHOWN



Front View

# AQUA BATH CO.

305 PLUS PARK BLVD  
NASHVILLE, TN 37217

REV.	DR.	DATE	DESCRIPTION

TITLE:	DRN BY:
Transfer Shower Base	CDB
MODEL NO.:	DATE:
B3636BF FUS 3/4"	09/30/19
DRWG NO.:	SCALE:
	3/4" = 1'-0"