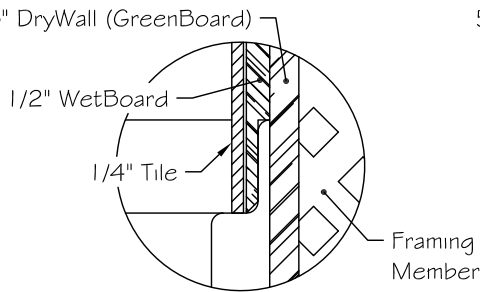
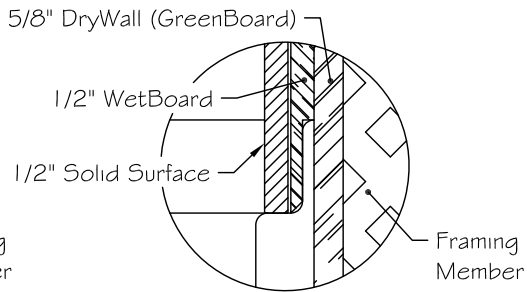


Detail "A"



Finish Out Of Detail "A"  
(For Tile Applications)



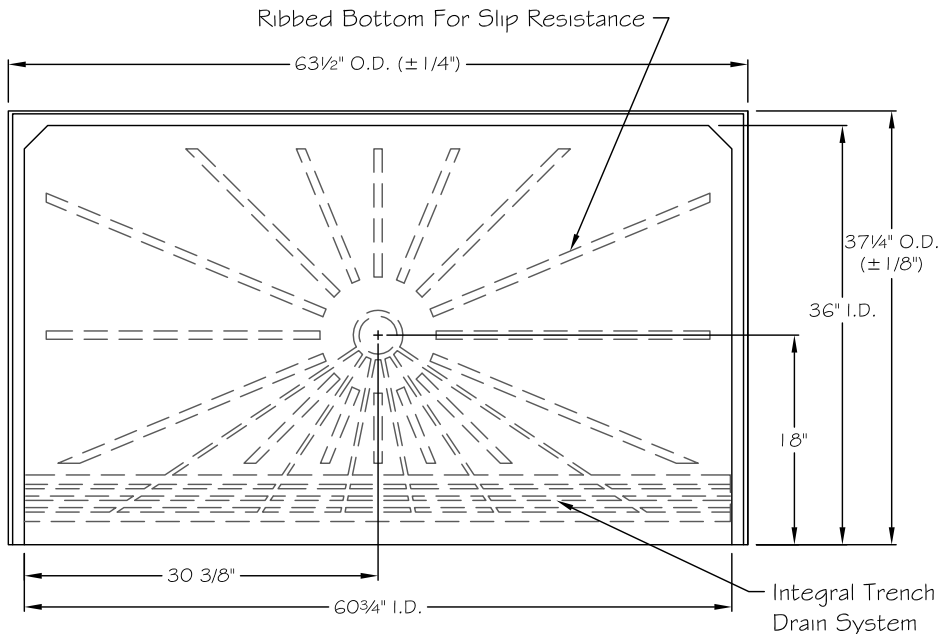
Finish Out Of Detail "A"  
(For Solid Surface Applications)

THIS DRAWING IS FOR SUBMITTAL PURPOSES ONLY. THIS DRAWINGS SHOULD NOT BE USED FOR INSTALLATION OF THIS UNIT. REFER TO AQUA BATH'S INSTALLATION INSTRUCTIONS FOR FRAMING AND ROUGH-IN DIMINSIONS.

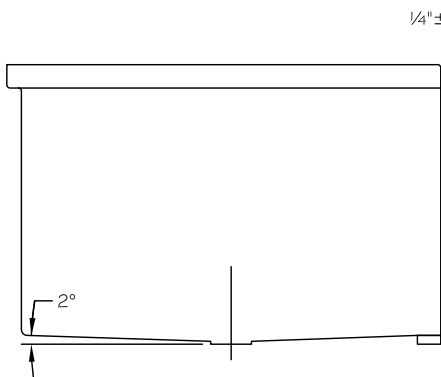
Notes:

Manufacturing Tolerances Listed On O.D. Dimensions Of Unit.  
Field Conditions Should Be Set To Allow For Tolerances Of Unit.

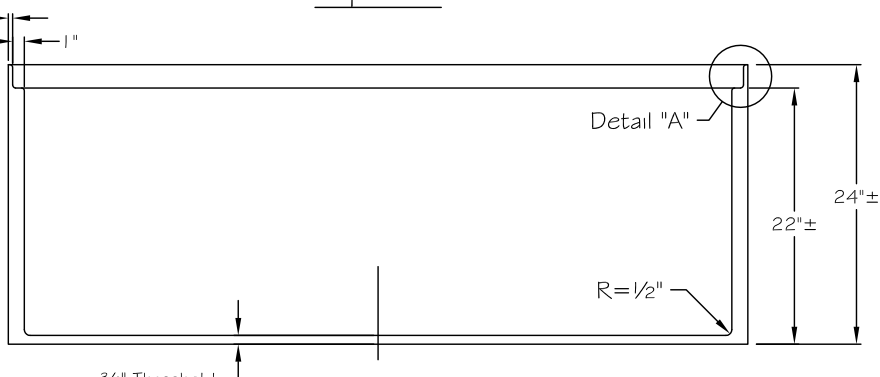
IT IS THE SOLE RESPONSIBILITY OF THE END USER TO CHECK WITH YOUR LOCAL CITY AND STATE FOR CODE COMPLIANCY. AQUA BATH'S ADVERTISED ADA COMPLIANT UNITS ARE BASED ON OUR INTERPRETATION OF THE AMERICANS WITH DISABILITIES ACT 2010 GUIDELINES. FEILD ALTERATIONS OR IMPROPER INSTALLATION COULD TAKE THE UNITS OUT OF COMPLIANCE. AQUA BATH ACCEPTS NO RESPONSIBLITY FOR FINAL CODE COMPLIANCE.



Top View



Left Side View



Front View

SYMMETRICAL UNIT SHOWN

**AQUA BATH CO.**  
305 PLUS PARK BLVD  
NASHVILLE, TN 37217

REV.	DR.	DATE	DESCRIPTION

TITLE:	DRN BY:
Roll-In Shower Base	CDB
MODEL NO.:	DATE:
B6036BF 3/4"	09/30/19
DRWG NO.:	SCALE:
	3/4" = 1'-0"