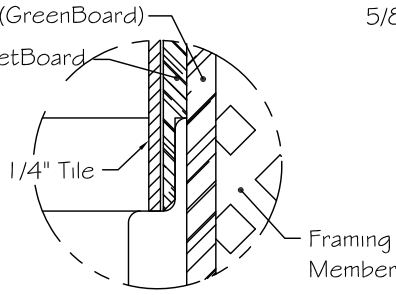
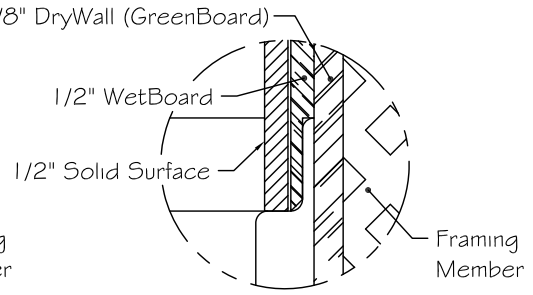


Detail "A"



Finish Out Of Detail "A"
(For Tile Applications)



Finish Out Of Detail "A"
(For Solid Surface Applications)

Note:

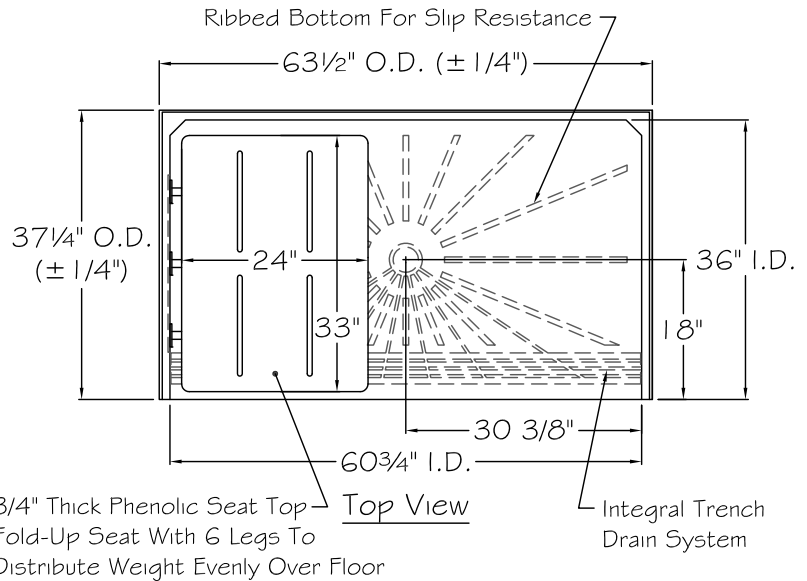
Unit To Be Glassed Extra Heavy At Floor Bottom And Fold-Up Seat Wall.

Note: Finish Out Details Shown Are For Recommendations Only. Finish Out Can Be Achieved In A Variety Of Ways.

Manufacturing Tolerance Of ($\pm 1/4"$) Due To The Nature Of Materials Used

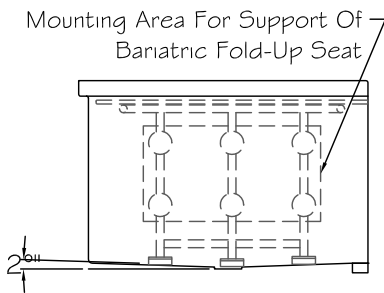
IT IS THE SOLE RESPONSIBILITY OF THE END USER TO CHECK WITH YOUR LOCAL CITY AND STATE FOR CODE COMPLIANCY. AQUA BATH'S ADVERTISED ADA COMPLIANT UNITS ARE BASED ON OUR INTERPRETATION OF THE AMERICANS WITH DISABILITIES ACT 2010 GUIDELINES. FIELD ALTERATIONS OR IMPROPER INSTALLATION COULD TAKE THE UNITS OUT OF COMPLIANCE. AQUA BATH ACCEPTS NO RESPONSIBILITY FOR FINAL CODE COMPLIANCE.

BARIATRIC SEAT SHALL BE IN THE 'DOWN' POSITION AT ALL TIMES, EXCEPT FOR CLEANING THE SHOWER STALL. A 'LOCKING' PIN SHALL BE INSTALLED TO PREVENT THE SEAT FROM FALLING FROM THE 'UP' POSITION TO THE 'DOWN' POSITION WHILE CLEANING. USE CAUTION WHILE RAISING AND LOWERING SEAT AND FRAME.

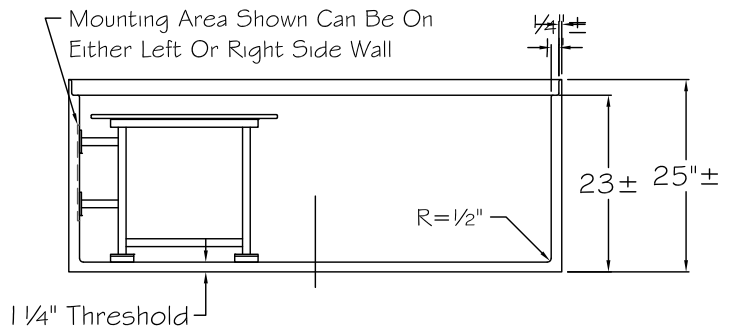


Top View

See Detail "A"



Left Side View



Front View

LEFT HAND UNIT SHOWN

AQUA BATH CO.
305 PLUS PARK BLVD
NASHVILLE, TN 37217

REV.	DR.	DATE	DESCRIPTION

TITLE:	DRN BY:
Bariatric Shower Base	CDB
MODEL NO.:	DATE:
BAG036BF-FUS	10/03/19
DRWG NO.:	SCALE:
	1/2" = 1'-0"