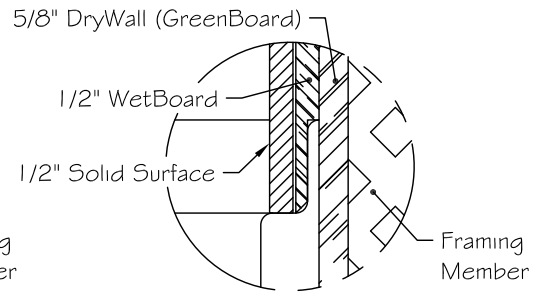
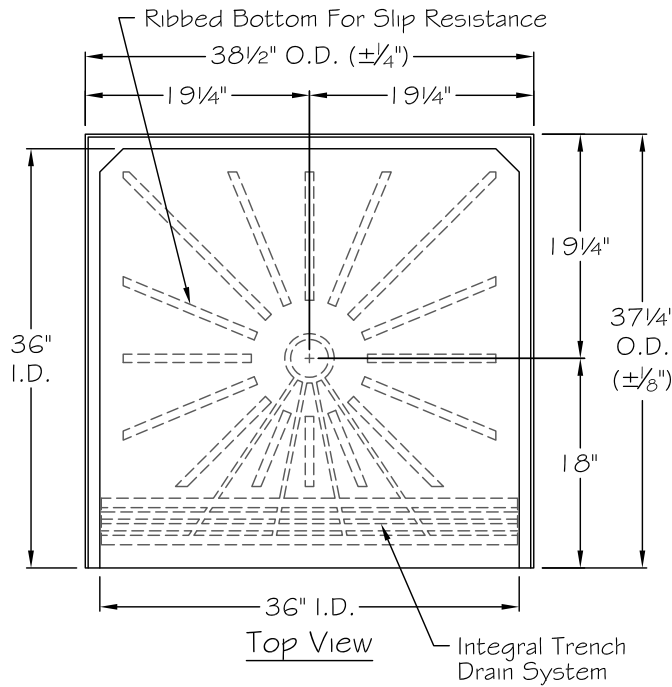


Detail "A"

Finish Out Of Detail "A"  
 (For Tile Applications)



Finish Out Of Detail "A"  
 (For Solid Surface Applications)



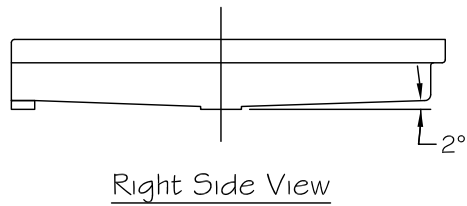
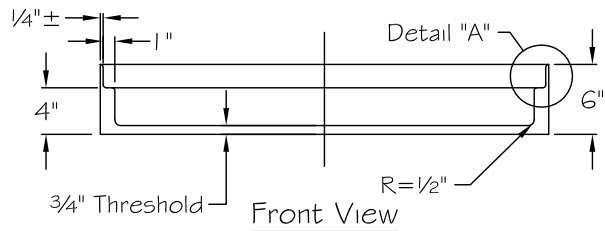
THIS DRAWING IS FOR SUBMITTAL PURPOSES ONLY. THIS DRAWINGS SHOULD NOT BE USED FOR INSTALLATION OF THIS UNIT. REFER TO AQUA BATH'S INSTALLATION INSTRUCTIONS FOR FRAMING AND ROUGH-IN DIMENSIONS.

GENERAL NOTES:

DIMENSIONS ARE DIAGRAMMATICAL ONLY. CONTRACTOR TO FIELD VERIFY CONDITIONS PRIOR TO INSTALLATION.

DUE TO THE NATURE OF MATERIALS USED, MANUFACTURING TOLERANCE OF (±1/4")

THE DIMENSIONS LISTED ON THIS SUBMITTAL IS ACRYLIC TO ACRYLIC. CONTRACTOR TO MAKE ALLOWANCES FOR GLASSING AND RESIN. OVERALL WIDTH OF INSTALLED UNIT SHOULD ACCOUNT FOR 1/4" TO 3/8" ADDED MATERIAL EACH SIDE FOR ALCOVE WIDTH.



**AQUA BATH CO.**  
 305 PLUS PARK BLVD.  
 NASHVILLE, TN 37217

REV.	DR.	DATE	DESCRIPTION

TITLE: Transfer Shower Pan	DRN BY: CDB
MODEL NO.: CP3636BF	DATE: 09/30/19
DRWG NO.:	SCALE: 3/4" = 1'-0"