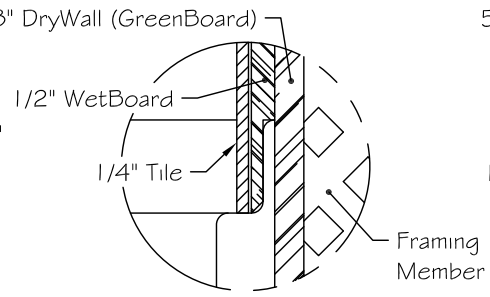
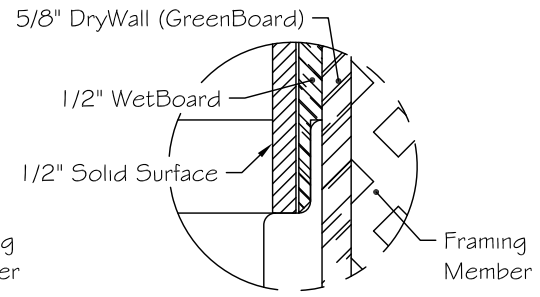


Detail "A"



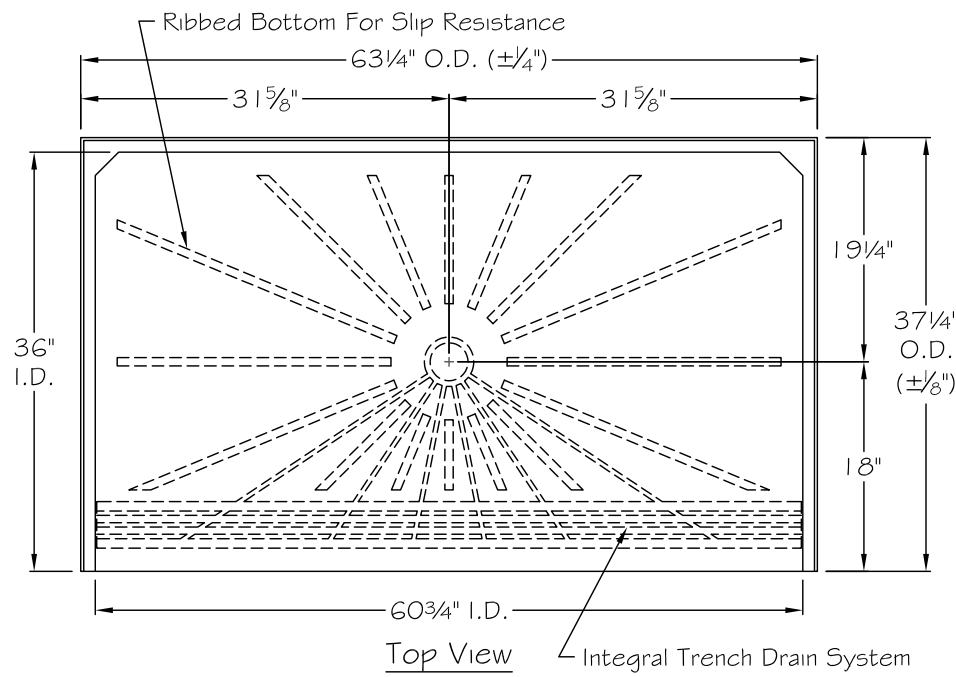
Finish Out Of Detail "A"  
(For Tile Applications)



Finish Out Of Detail "A"  
(For Solid Surface Applications)

THIS DRAWING IS FOR SUBMITTAL PURPOSES ONLY. THIS DRAWINGS SHOULD NOT BE USED FOR INSTALLATION OF THIS UNIT. REFER TO AQUA BATH'S INSTALLATION INSTRUCTIONS FOR FRAMING AND ROUGH-IN DIMINSIONS.

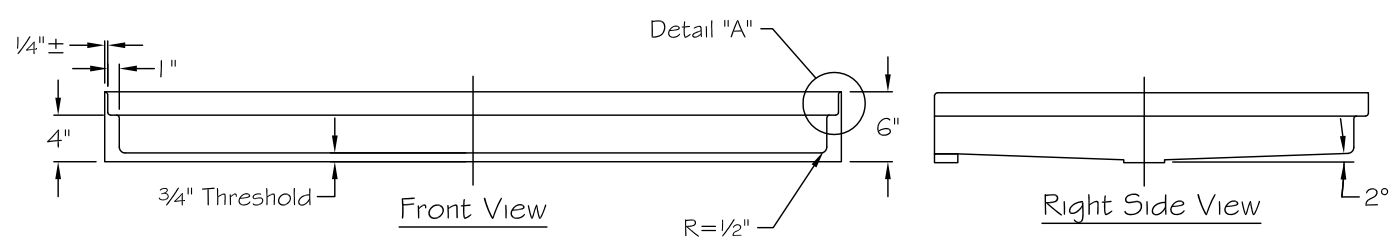
THE DIMENSIONS LISTED ON THIS SUBMITTAL IS ACRYLIC TO ACRYLIC. CONTRACTOR TO MAKE ALLOWANCES FOR GLASSING AND RESIN. OVERALL WIDTH OF INSTALLED UNIT SHOULD ACCOUNT FOR 1/4" TO 3/8" ADDED MATERIAL EACH SIDE FOR ALCOVE WIDTH.



GENERAL NOTES:

DIMENSIONS ARE DIAGRAMMATIC ONLY. CONTRACTOR TO FIELD VERIFY CONDITIONS PRIOR TO INSTALLATION.

DUE TO THE NATURE OF MATERIALS USED, MANUFACTURING TOLERANCE OF (±1/4")



REV.	DR.	DATE	DESCRIPTION

**AQUA BATH CO.**  
305 PLUS PARK BLVD.  
NASHVILLE, TN 37217

TITLE: Roll-In Shower Pan	DRN BY: CDB
MODEL NO.: CP6036BF	DATE: 09/30/19
DRWG NO.:	SCALE: 3/4" = 1'-0"