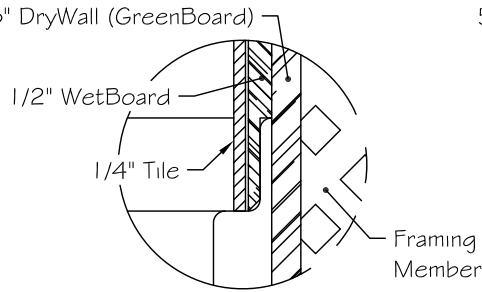
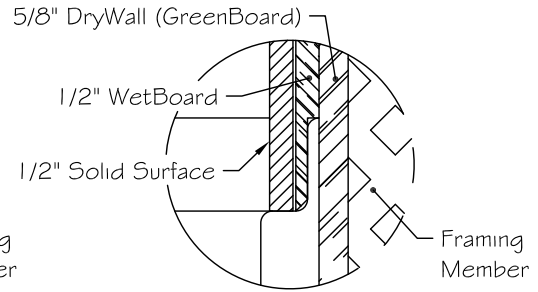


Detail "A"



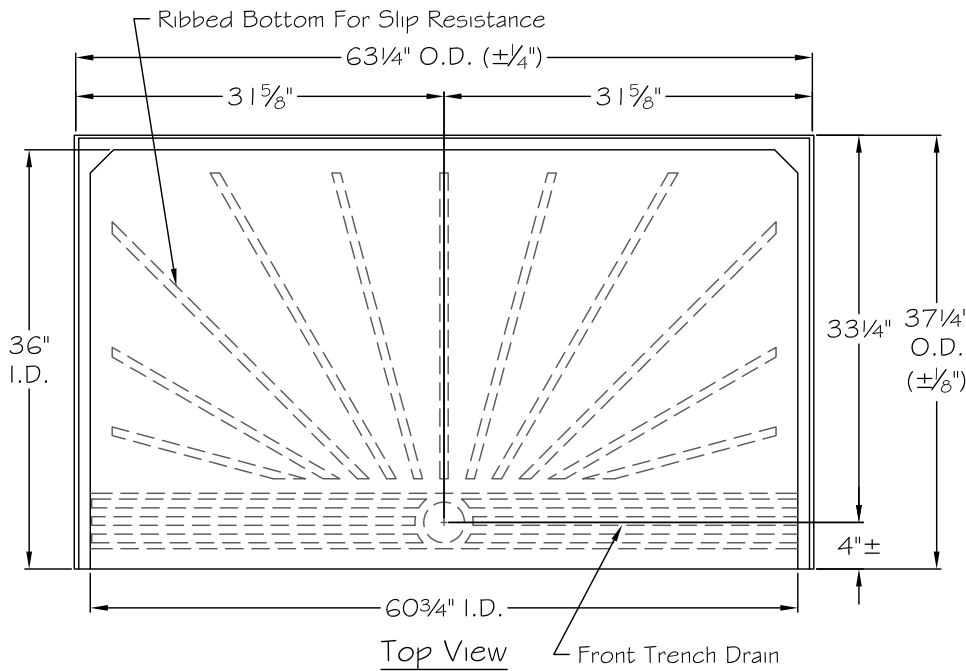
Finish Out Of Detail "A"
(For Tile Applications)



Finish Out Of Detail "A"
(For Solid Surface Applications)

THIS DRAWING IS FOR SUBMITTAL PURPOSES ONLY. THIS DRAWINGS SHOULD NOT BE USED FOR INSTALLATION OF THIS UNIT. REFER TO AQUA BATH'S INSTALLATION INSTRUCTIONS FOR FRAMING AND ROUGH-IN DIMINSIONS.

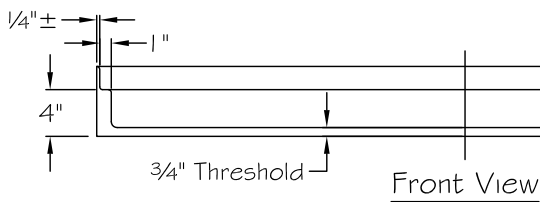
THE DIMENSIONS LISTED ON THIS SUBMITTAL IS ACRYLIC TO ACRYLIC. CONTRACTOR TO MAKE ALLOWANCES FOR GLASSING AND RESIN. OVERALL WIDTH OF INSTALLED UNIT SHOULD ACCOUNT FOR 1/4" TO 3/8" ADDED MATERIAL EACH SIDE FOR ALCOVE WIDTH.



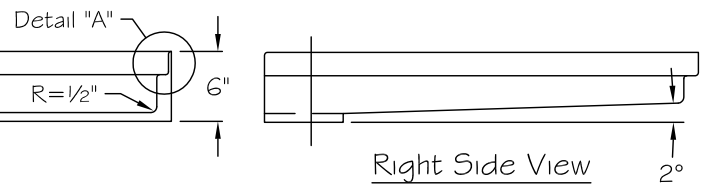
GENERAL NOTES:

DIMINSIOINS ARE DIAGRAMMATICAL ONLY. CONTRACTOR TO FIELD VERIFY CONDITIONS PRIOR TO INSTALLATION.

DUE TO THE NATURE OF MATERIALS USED, MANUFACTURING TOLERANCE OF (±1/4")



Front View



Right Side View

				AQUA BATH CO.	
				305 PLUS PARK BLVD NASHVILLE, TN 37217	
REV.	DR.	DATE	DESCRIPTION	TITLE: Roll-In Shower Pan	
				DRN BY: CDB	
				DATE: 09/30/19	
				MODEL NO.: CP6036TD	
				DRWG NO.:	SCALE: 3/4" = 1'-0"