

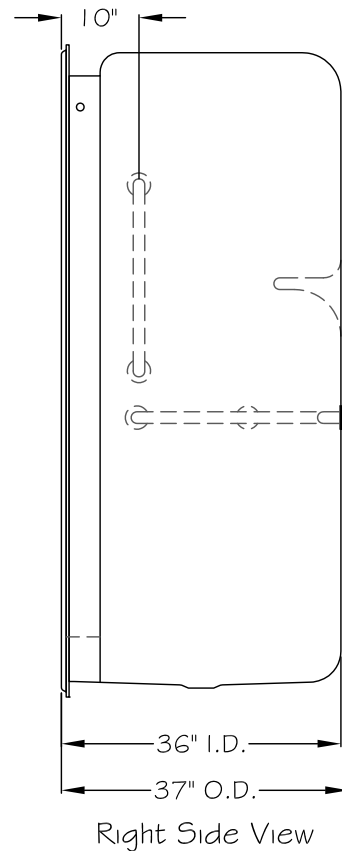
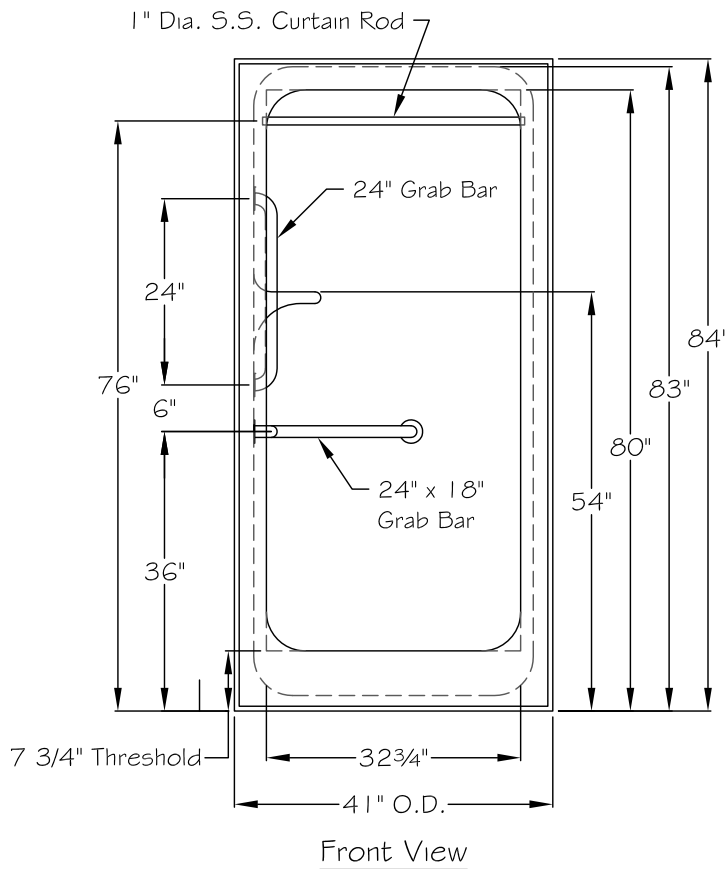
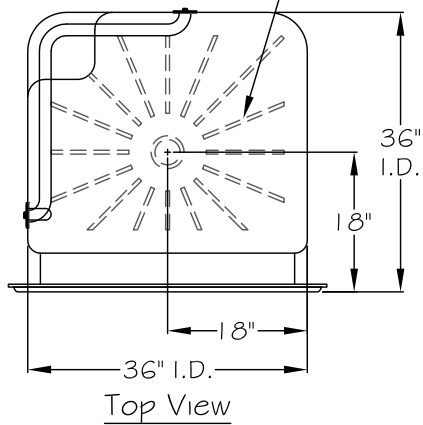
THIS DRAWING IS FOR SUBMITTAL PURPOSES ONLY. THIS DRAWINGS SHOULD NOT BE USED FOR INSTALLATION OF THIS UNIT. REFER TO AQUA BATH'S INSTALLATION INSTRUCTIONS FOR FRAMING AND ROUGH-IN DIMENSIONS.

GENERAL NOTES:

DIMENSIONS ARE DIAGRAMMATICAL ONLY. CONTRACTOR TO FIELD VERIFY CONDITIONS PRIOR TO INSTALLATION.

DUE TO THE NATURE OF MATERIALS USED, MANUFACTURING TOLERANCE OF ($\pm 1/4$ ")

Ribbed Bottom For Slip Resistance



LEFT HAND UNIT SHOWN

AQUA BATH CO.

305 PLUS PARK BLVD
NASHVILLE, TN 37217

REV.	DR.	DATE	DESCRIPTION

TITLE:	Acrylic Shower Stall	DRN BY:	CDB
		DATE:	09/25/19
MODEL NO.:	1541365H mod 7 3/4"		
DRWG NO.:		SCALE:	1/2" = 1'-0"