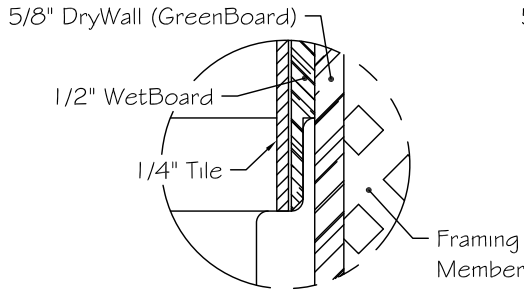
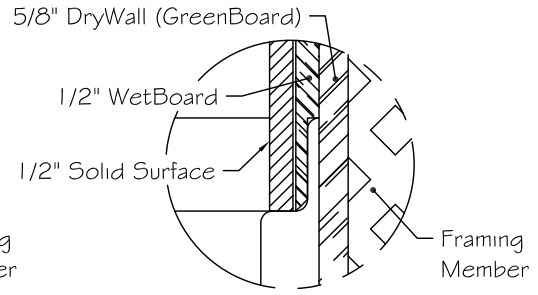


Detail "A"



Finish Out Of Detail "A"
(For Tile Applications)

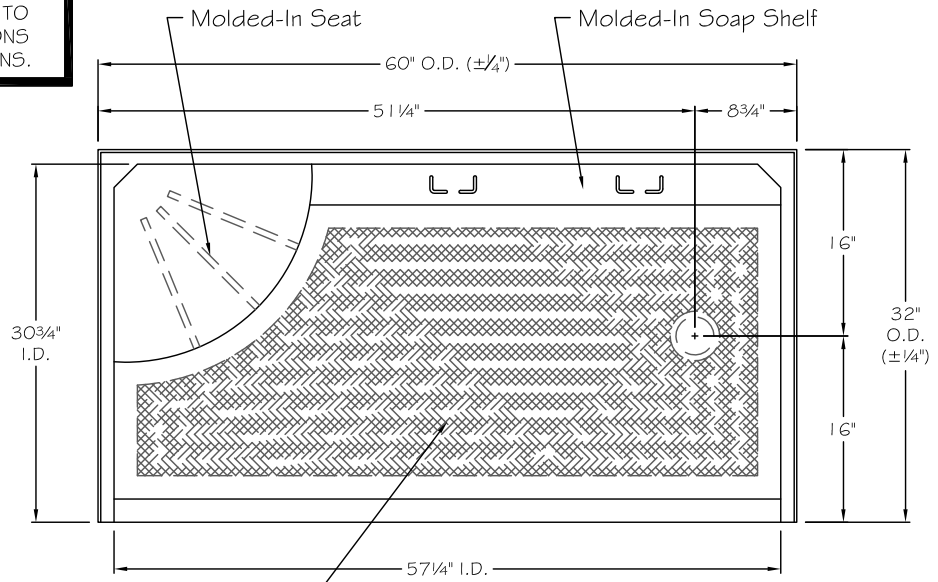


Finish Out Of Detail "A"
(For Solid Surface Applications)

THIS DRAWING IS FOR SUBMITTAL PURPOSES ONLY. THIS DRAWINGS SHOULD NOT BE USED FOR INSTALLATION OF THIS UNIT. REFER TO AQUA BATH'S INSTALLATION INSTRUCTIONS FOR FRAMING AND ROUGH-IN DIMENSIONS.

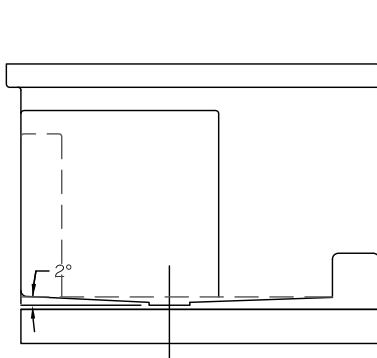
Notes:

Manufacturing Tolerances Listed On O.D. Dimensions Of Unit. Field Conditions Should Be Set To Allow For Tolerances Of Unit.

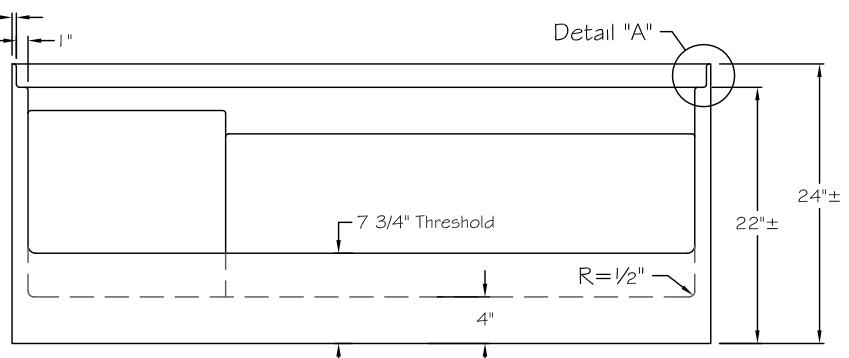


Top View

ASTM F462 (Non-Slip) Bottom



Left Side View



Front View

RIGHT HAND UNIT SHOWN

AQUA BATH CO.

305 PLUS PARK BLVD
NASHVILLE, TN 37217

REV.	DR.	DATE	DESCRIPTION

TITLE: Acrylic Shower Base	DRN BY: CDB
MODEL NO.: B60325H-MS 7 3/4" Threshold - ASTM	DATE: 09/11/18
DRWG NO.:	SCALE: 3/4" = 1'-0"