



INSTALLATION DETAILS TABLE OF CONTENTS

Basic Installation Requirements	ID-1
Top of Slab Installation	
• 3/4" Threshold - (New Construction)	ID-2
• 3/4" Threshold - (Remodeling)	ID-3
• Typical Floor Float for 3/4" Threshold	ID-4
Pit Details	
• Typical Pit Installation for 3/4" Threshold	ID-5
• Typical Pit Installation for 2" Threshold	ID-6
Framing Details	
• Typical Wood Stud Detail	ID-7
• Typical Metal Stud Detail	ID-8
• Wood Stud Method for Corner Shower	ID-9
• Metal Stud Method for Corner Shower	ID-10
Rough In and Drain Location Dimensions	
• IS3234SH, AB3234SH, IS3632SH, AB3632SH, AB3634SH, IS4848BF	ID-11
• C6032TS, IS6032TS, AB6032TS, C7236TS, IS7236TS, AB7236TS IS6036BF, IS6036SH, AB6036SH, IS7236BF, C6536BF	ID-12
• IS4136BF, IS4136SH, C4136BF, IS4836BF, IS4836SH, AB4834SH	ID-13
• AB6031-34TS, AB6032-34TS, AB6033-34TS, AB6031TS, AB6033TS C6530BF	ID-14
Setting Units in Place	
• Typical Shimming Detail for Showers & Tub/Showers	ID-15
• Installation of a C4136BF-FUS Barrier Free Transfer Shower Unit	ID-16
• Installation of a C6536BF 3/4" & C6536BF-FUS 3/4" and C6530BF 3/4" & C6530BF-FUS 3/4" Barrier Free Roll-In Shower Unit	ID-17
• Details for a C6536BF 3/4" & C6536BF-FUS 3/4" and C6530BF 3/4" & C6530BF-FUS 3/4" Barrier Free Roll-In Shower Unit	ID-18
• Installation of a C6536BF 2" & C6536BF-FUS 2" and C6530BF 2" & C6530BF-FUS 2" Barrier Free Roll-In Shower Unit	ID-19

Installation Details Table of Contents



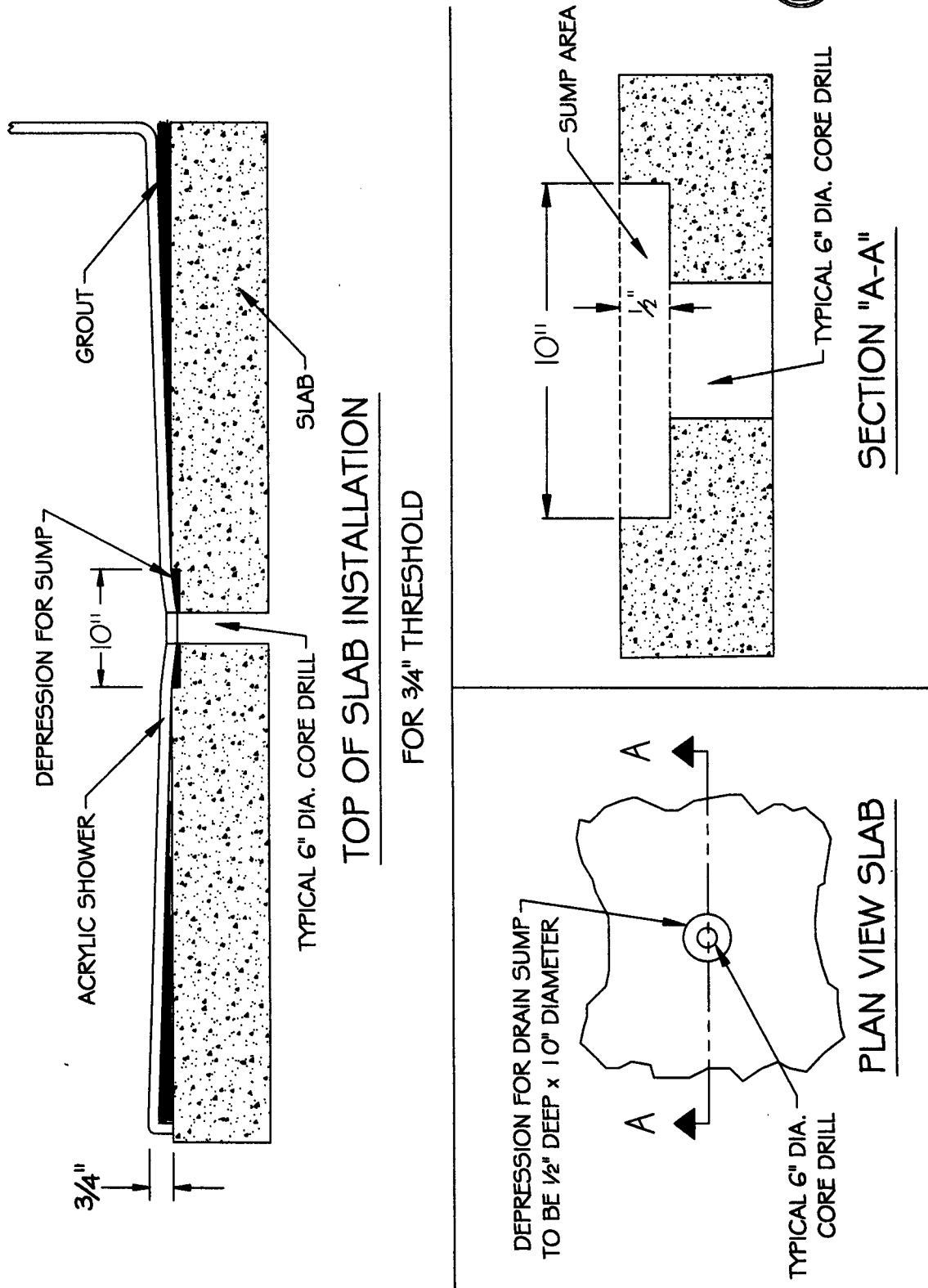
BASIC INSTALLATION REQUIREMENTS

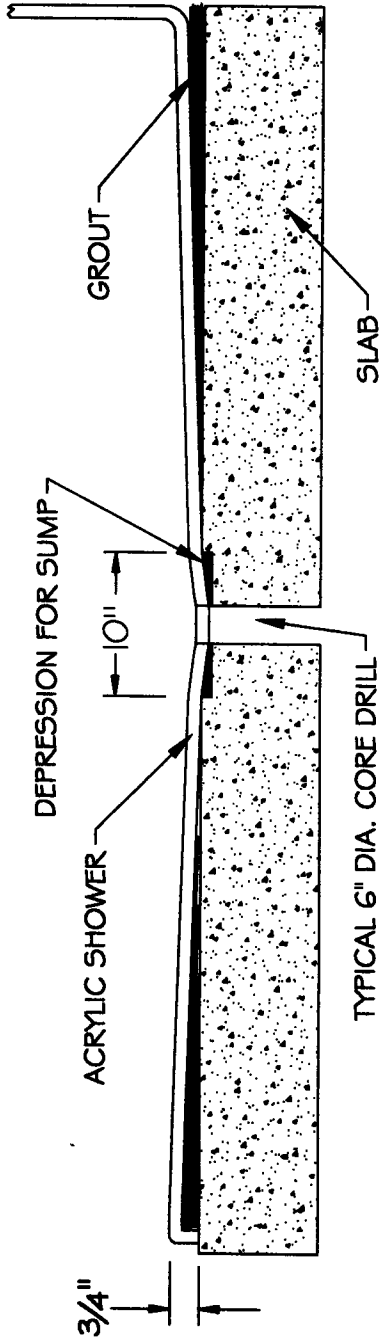
When installing Aqua Bath bathing modules, the following precautions should be taken to help reduce chances of damage during installation.

- Make allowances to get unit in room.
- Always bring unit to plumb (level).
- Always have a framing member behind the flanges.
- Always shim or grout under the base of the unit to assure positive contact with the floor.
- **ALL BARRIER FREE UNITS MUST BE SET IN GROUT - (NON SHRINK TYPE)**
(See Pages ID-15, ID-16, ID-17, ID-18 and ID-19 for installation details)
- **All 3/4" Barrier Free Units Must Be Stored On Their "Face-Plates" or "Backs". This Prevents Units against "Bowed Thresholds" and "Crowned Drains".**
- Keep the cardboard facing on the unit for protection as long as possible during construction
- Place a piece of cardboard or carpet in the unit when standing inside to prevent damage (Shipping face pack works well). **Scratched, Scuffed or Chipped Bottoms are considered "Jobsite Damage".**
- Do not store materials in the unit during construction.
- During clean up, use a mild non-abrasive cleaning agent. Do not use acetone or lacquer thinner since they may harm the acrylic finish. The following cleaners may be used:
 1. Ivory Liquid, Dawn or other liquid dishwashing detergent.
 2. Vinegar and water mixture (50/50 ratio).
 3. Alcohol, Denatured Alcohol or Mineral Spirits may be used.

The foregoing requirements have been supplied for you as typical guidelines to follow. Any installation other than these should have the approval of the Aqua Bath Company, Inc.

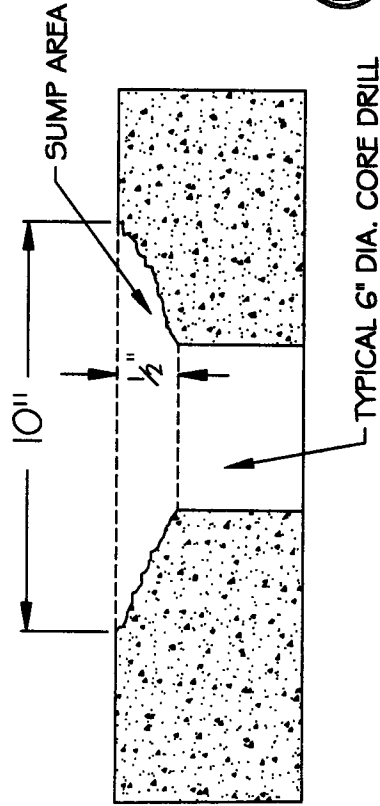
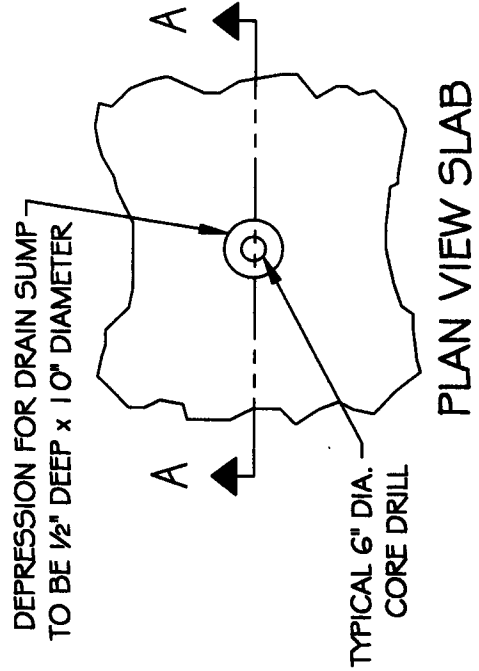
Any other type of installation MAY VOID MANUFACTURERS WARRANTY.





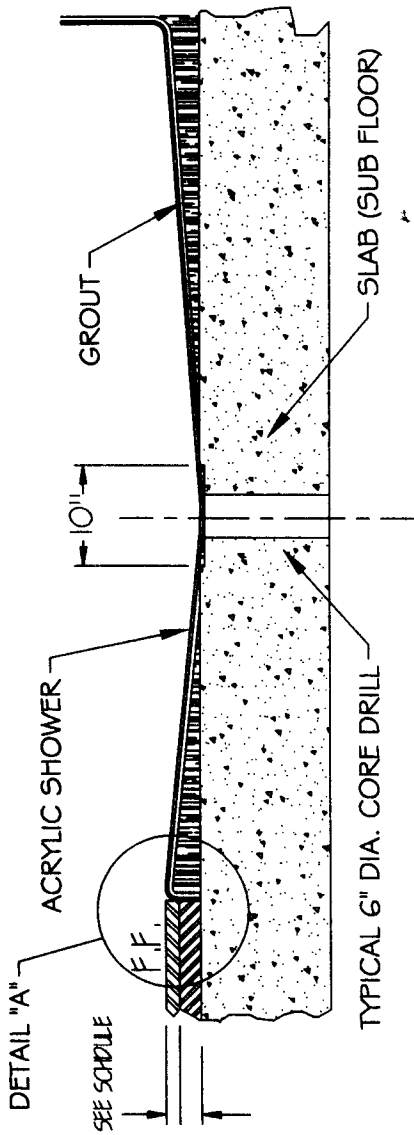
TOP OF SLAB INSTALLATION

FOR 3/4" THRESHOLD



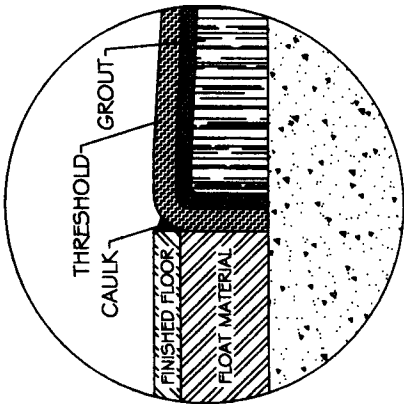
SECTION "A-A"

FOR REMODELING

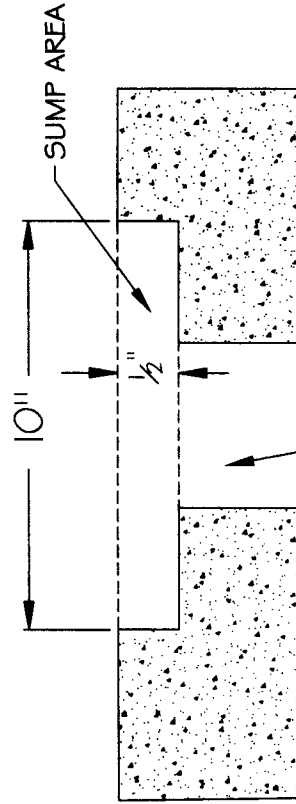


TYPICAL FLOOR FLOAT

TO MAKE A 3/4" THRESHOLD FLUSH WITH FINISH FLOOR



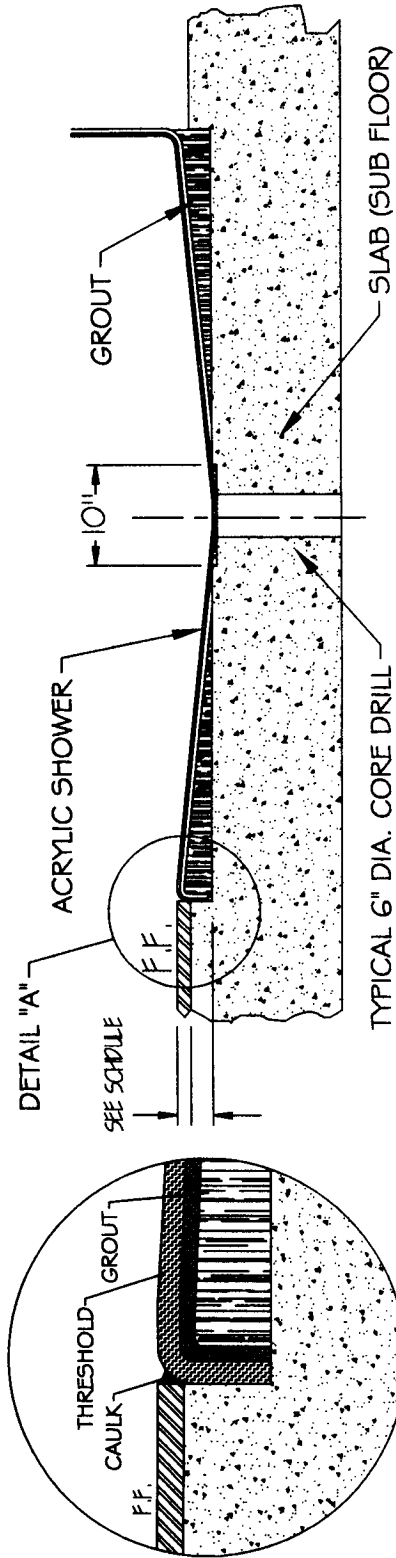
DETAIL "A"



CHIP OUT FOR DRAIN

TO MAKE A 3/4" THRESHOLD FLUSH WITH FINISH FLOOR MATERIAL	
THICKNESS OF F.F. MATERIAL	SUGGESTED FLOOR FLOAT
Up To 1/8"	3/4"
1/4"	1/2"
1/2"	1/4"

NOTE: ARCHITECT/ENGINEER IS RESPONSIBLE FOR DETERMINING PROPER DEPTH OF FLOAT MATERIAL BASED ON FINISH FLOOR MATERIAL



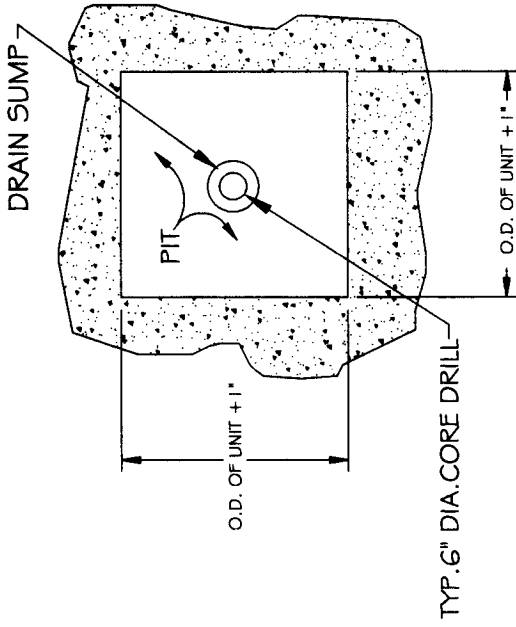
TYPICAL PIT INSTALLATION

DETAIL "A"

TO MAKE A 3/4" THRESHOLD FLUSH WITH FINISH FLOOR

Note:

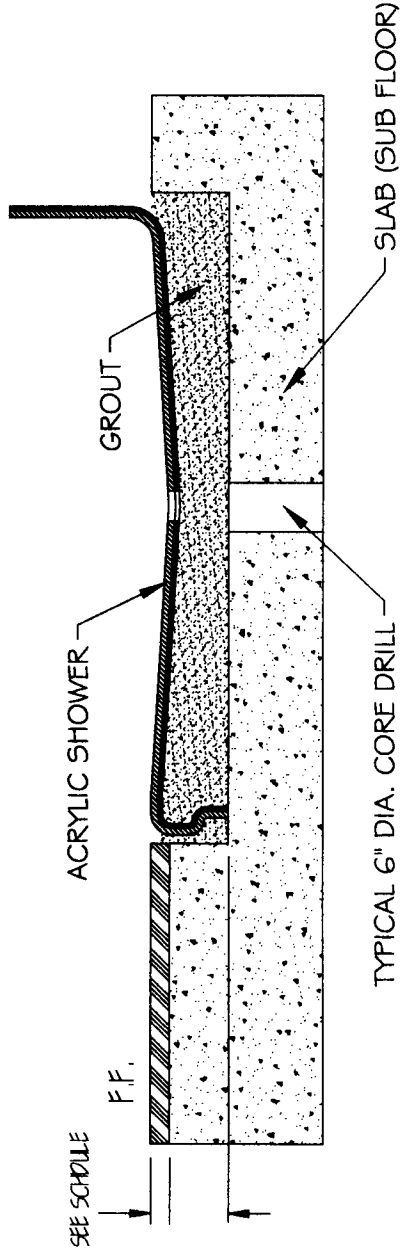
CG536BF & CG36BF-FUS (Roll-In Showers) Must Be Flush With Finish Floor To Meet ADAAG Compliance.
 C4136BF-FUS (Transfer Showers) Allows A 1/2" Variance Between Finish Floor & Top Of Threshold.



PIT DIMENSIONS

TO MAKE A 3/4" THRESHOLD FLUSH WITH FINISH FLOOR MATERIAL	
THICKNESS OF F.F. MATERIAL	SUGGESTED PIT DEPTH
Up To 1/8"	3/4"
1/4"	1/2"
1/2"	1/4"

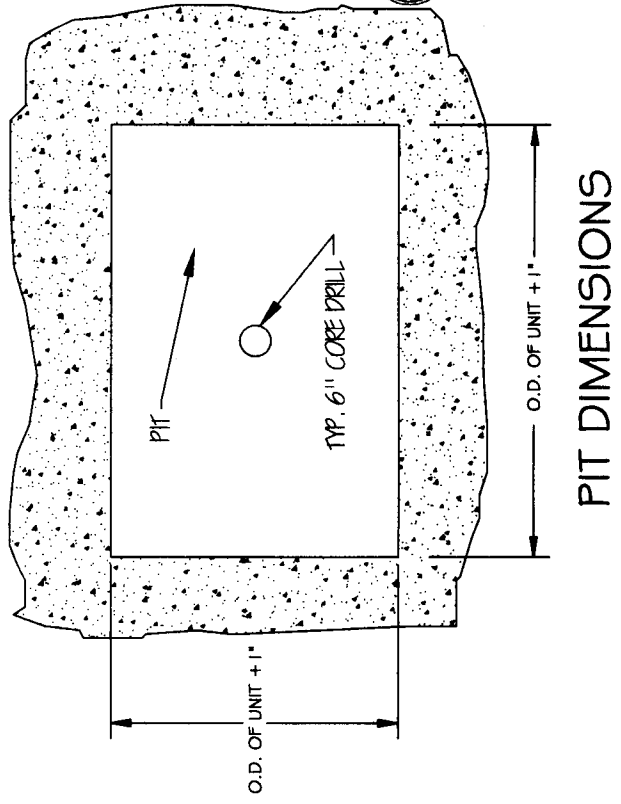
NOTE: ARCHITECT/ENGINEER IS RESPONSIBLE FOR DETERMINING PROPER PIT DEPTH BASED ON FINISH FLOOR MATERIAL



TYPICAL PIT INSTALLATION

TO MAKE A 2" THRESHOLD FLUSH WITH FINISH FLOOR

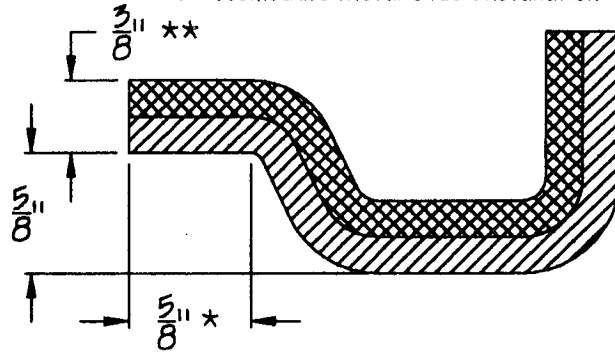
Note:
 C6536BF & C6536BF-FUS (Roll-In Showers) Must Be Flush With Finish Floor To Meet ADAAG Compliance.
 C4136BF-FUS (Transfer Showers) Allows A 1/2" Variance Between Finish Floor & Top Of Threshold.



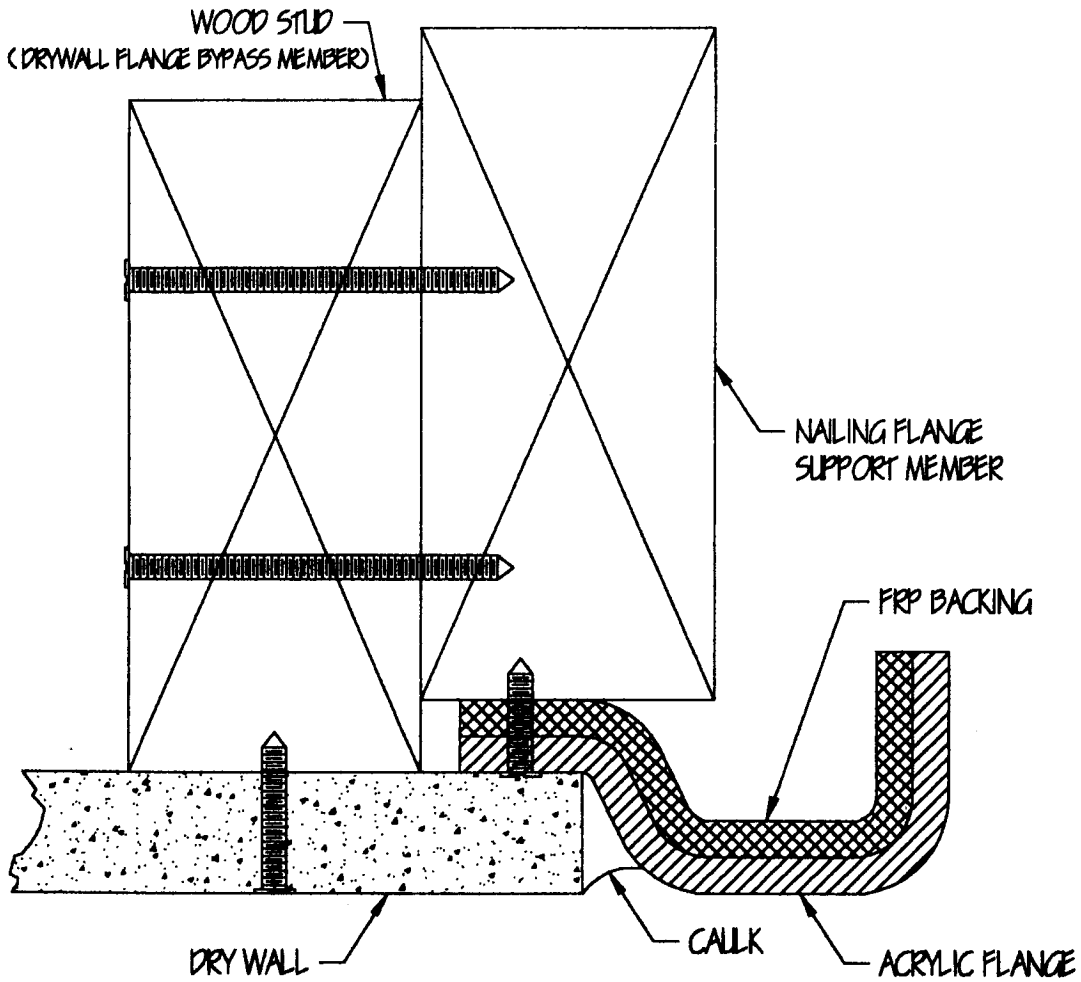
TO MAKE A 2" THRESHOLD FLUSH WITH FINISH FLOOR MATERIAL	
THICKNESS OF F.F. MATERIAL	SUGGESTED PIT DEPTH
Up To 1/8"	2"
1/4"	1 3/4"
1/2"	1 1/2"

NOTE: ARCHITECT/ENGINEER IS RESPONSIBLE FOR DETERMINING PROPER PIT DEPTH BASED ON FINISH FLOOR MATERIAL

** Manufacturing Tolerances Of $\pm 1/16"$
To Accomodate Metal Stud Installation

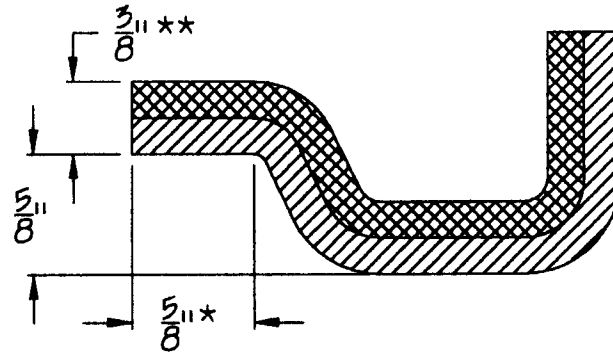


* Allowable Manufacturing Tolerances Of $\pm 1/8"$

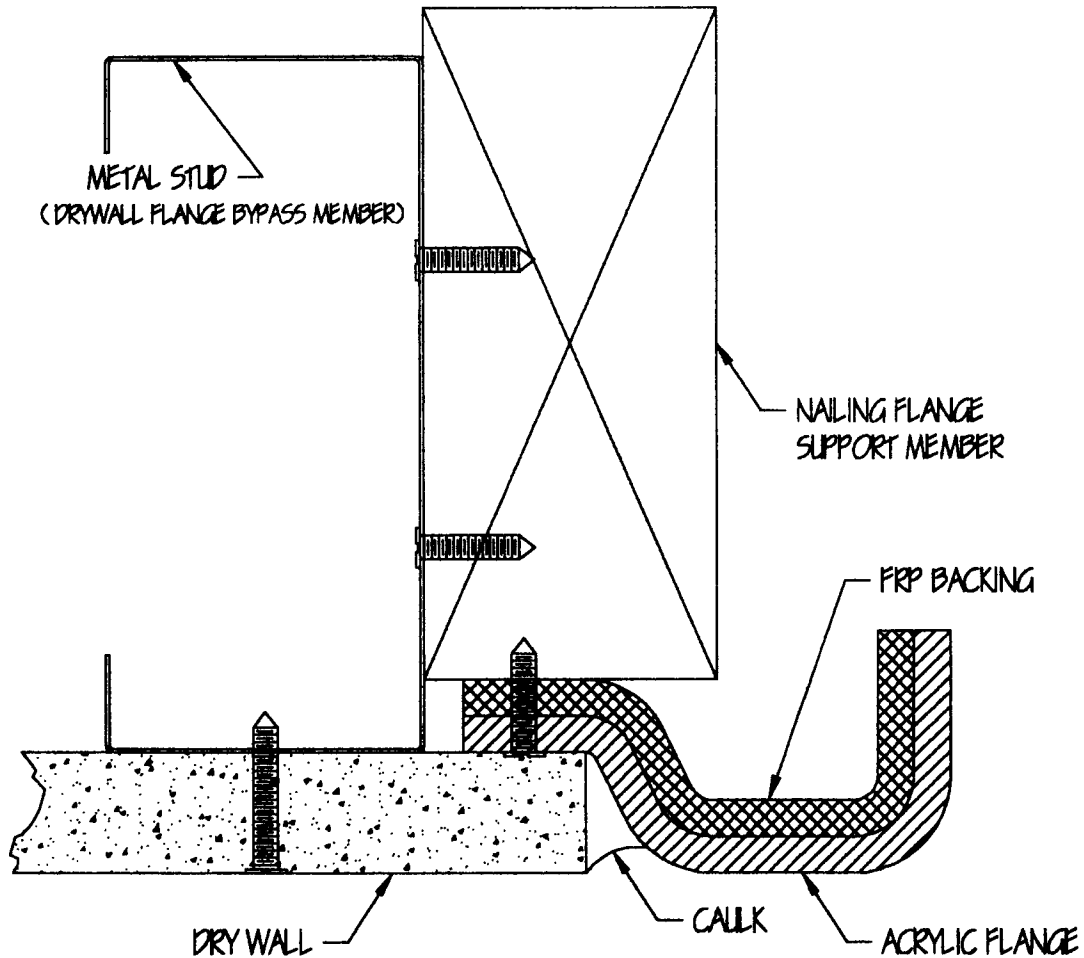


Page ID-7
Typical Wood Stud Detail

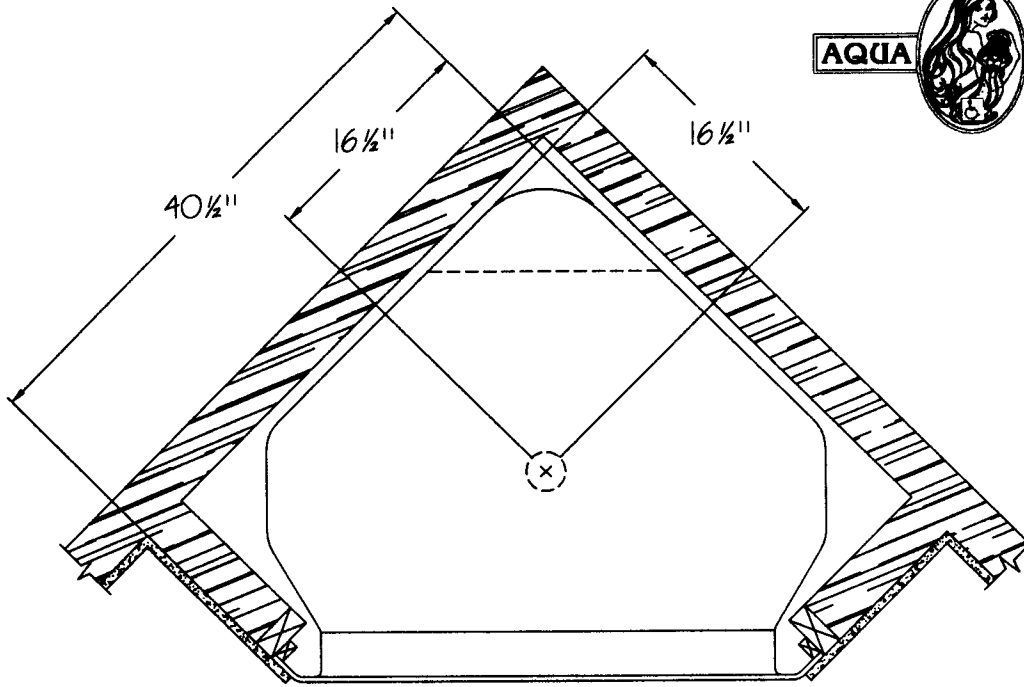
** Manufacturing Tolerances Of $\pm 1/16"$
To Accomodate Metal Stud Installation



* Allowable Manufacturing Tolerances Of $\pm 1/8"$



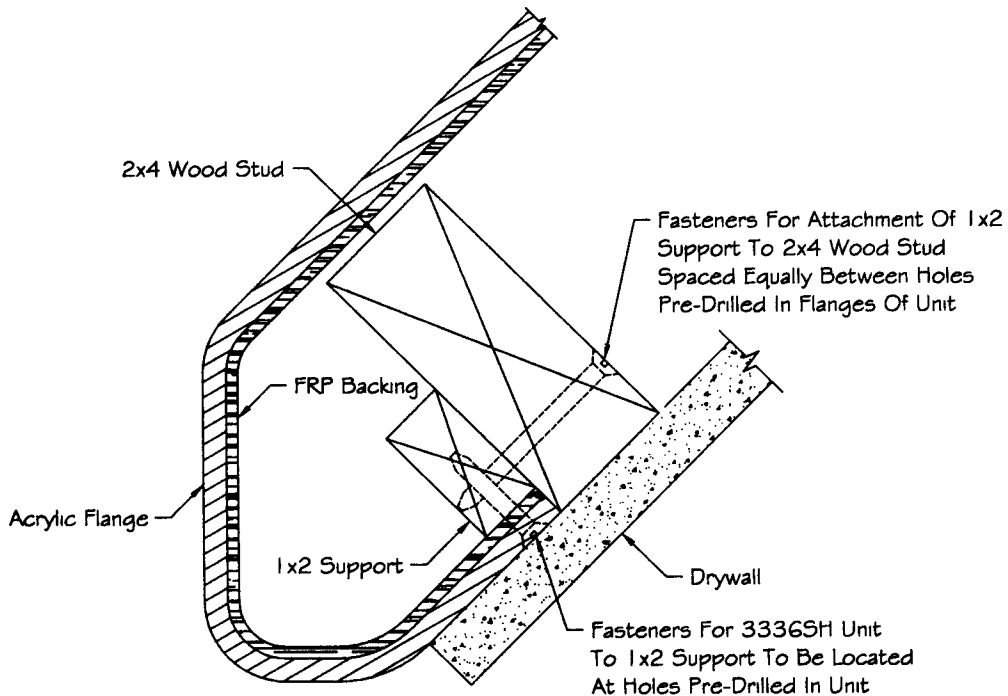
Page ID-8
Typical Metal Stud Detail



CRITICAL DIMENSIONS

AB3336SH

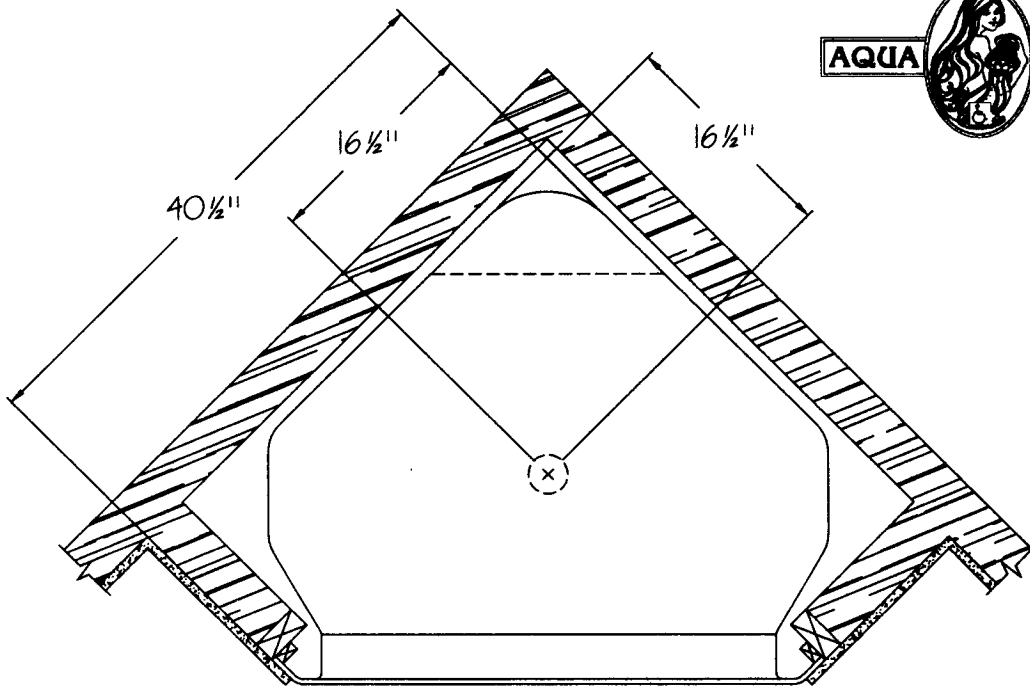
IS3336SH



WOOD STUD DETAILS

Page ID-9
Wood Stud Method for Corner Shower

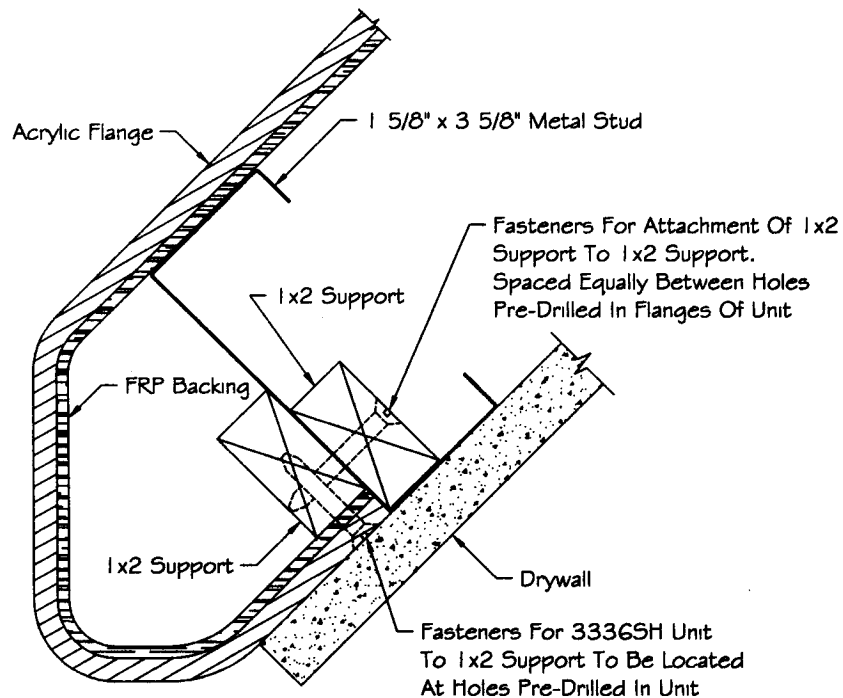
10/03



CRITICAL DIMENSIONS

AB3336SH

IS3336SH

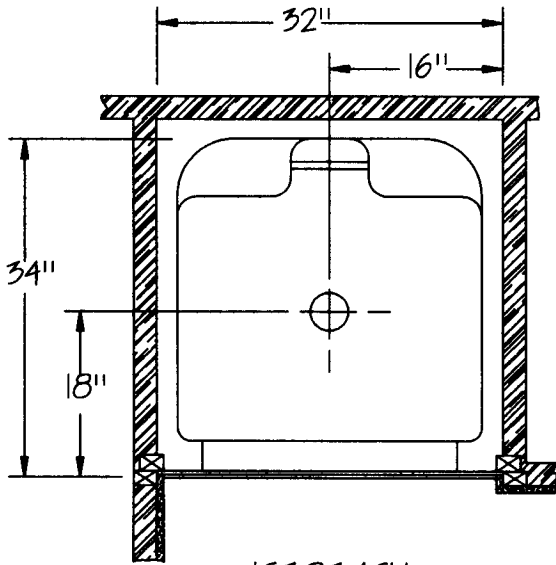


METAL STUD DETAILS

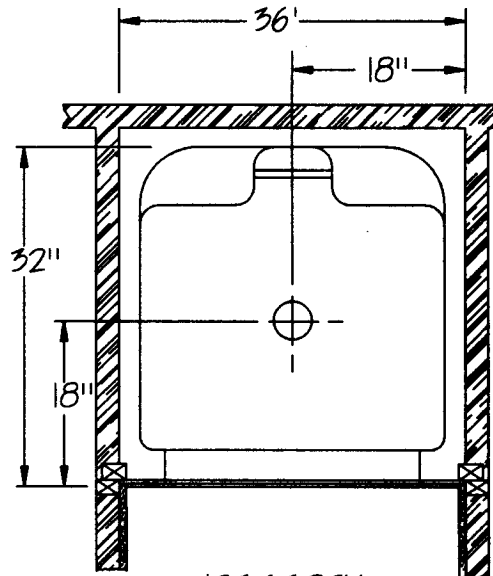
Page ID-10
Metal Stud Method for Corner Shower

NOTE:

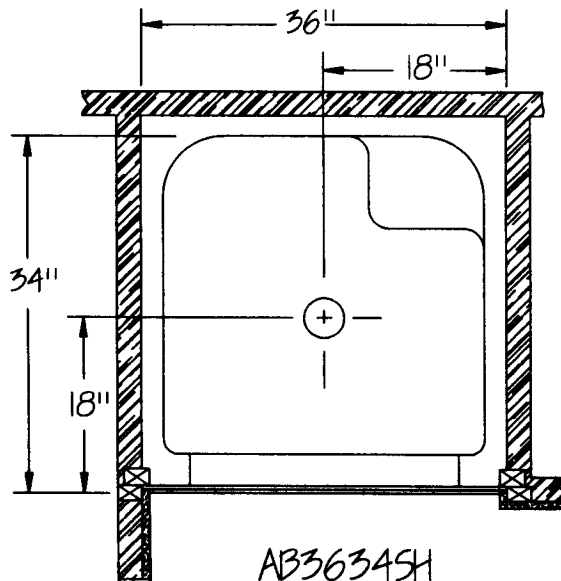
Depending On State & Local Fire Code Rating Standards, Be Sure To Allow For 5/8" Drywall In Alcove Of Rough-In Dimensions.



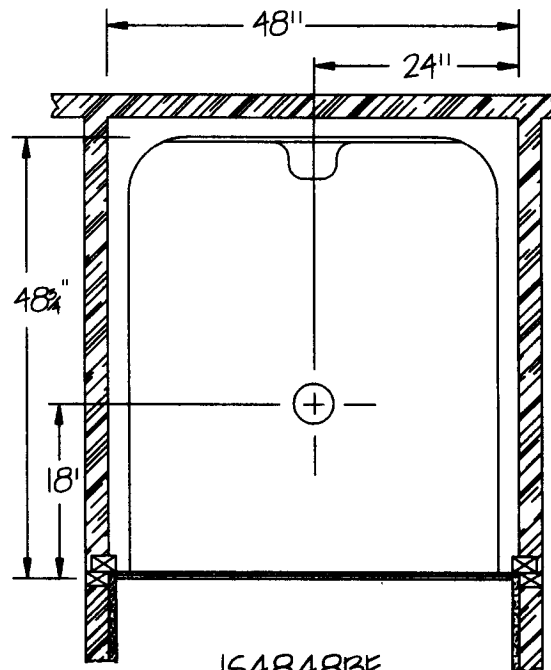
153234SH
AB3234SH



153632SH
AB3632SH



AB3634SH



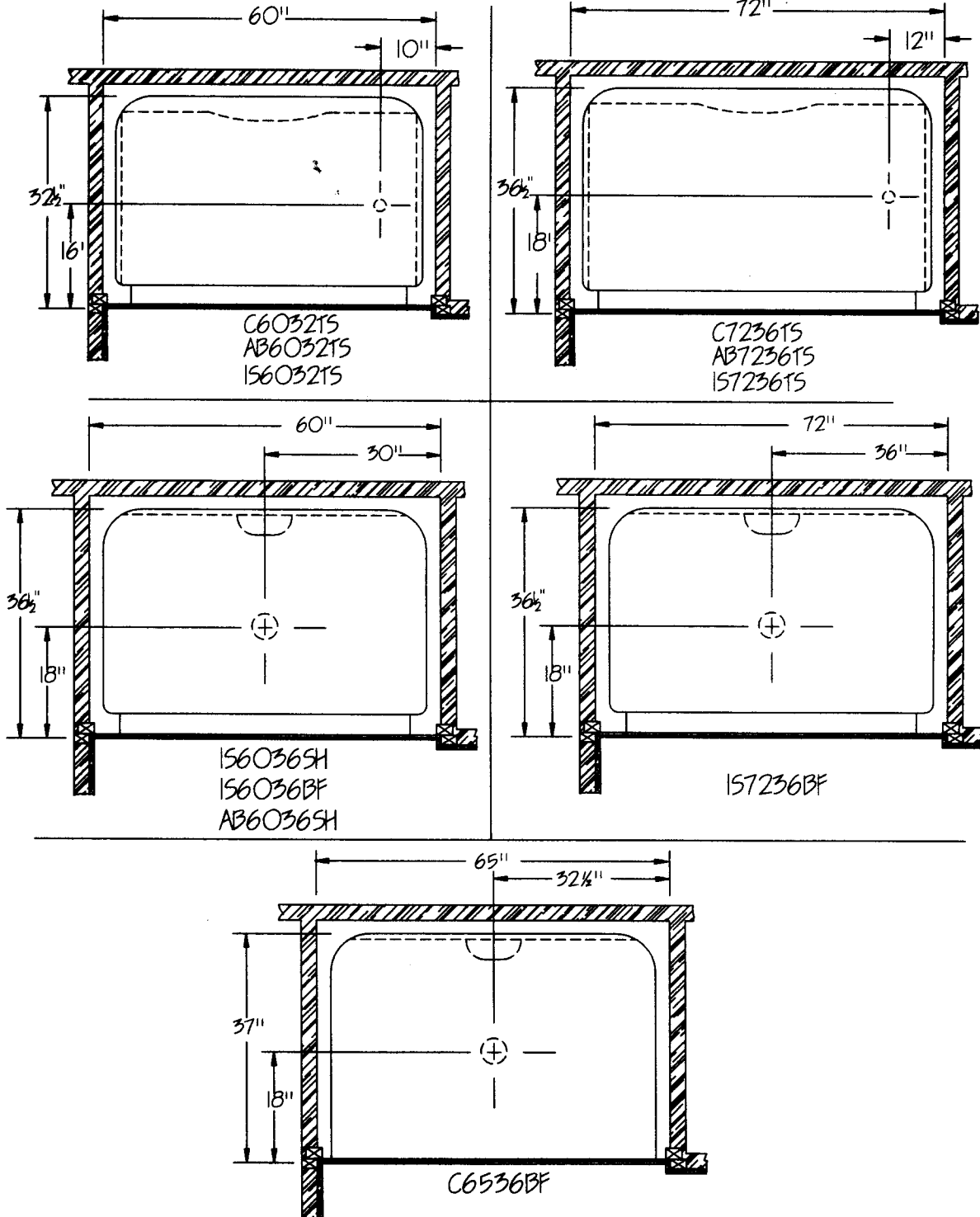
154848BF

NOTE: MAKE ALLOWANCE TO GET UNIT INTO ROOM

Page ID-11
Rough In and Drain Location Dimensions

NOTE:

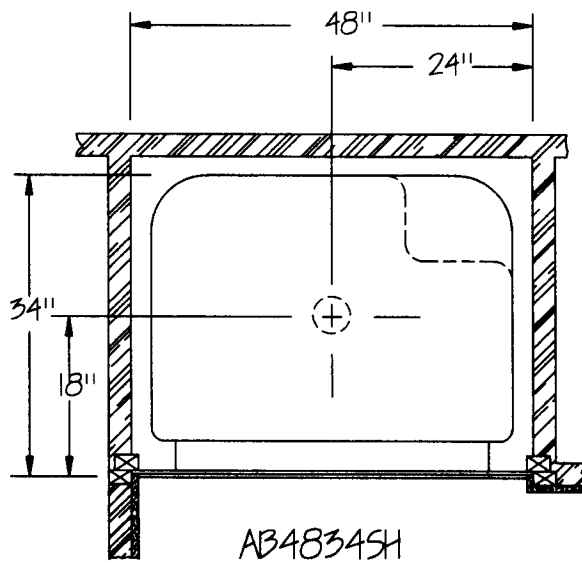
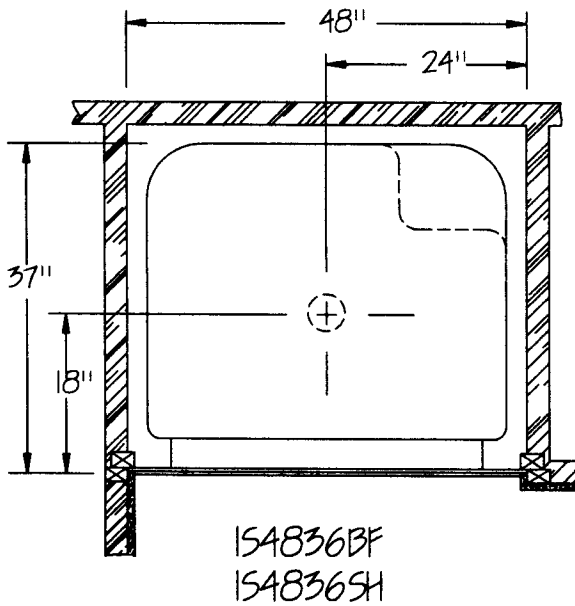
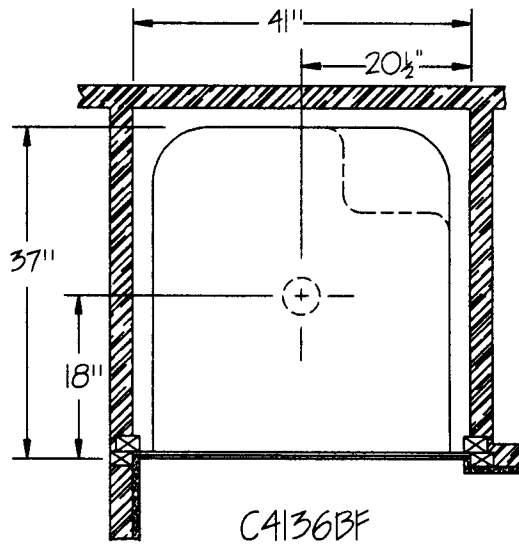
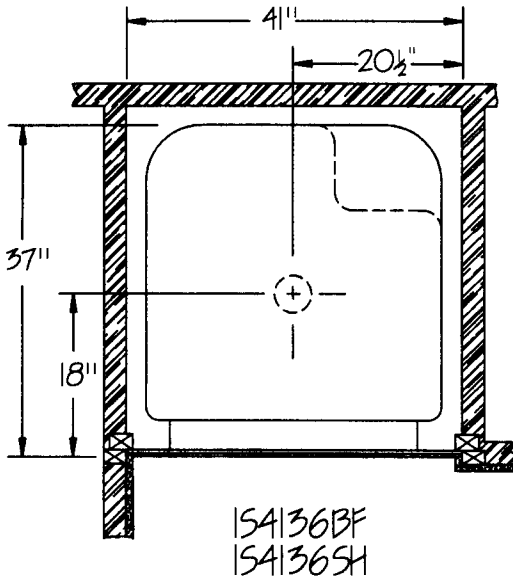
Depending On State & Local Fire Code Rating Standards, Be Sure To Allow For 5/8" Drywall In Alcove Of Rough-In Dimensions.



NOTE: MAKE ALLOWANCE TO GET UNIT INTO ROOM

NOTE:

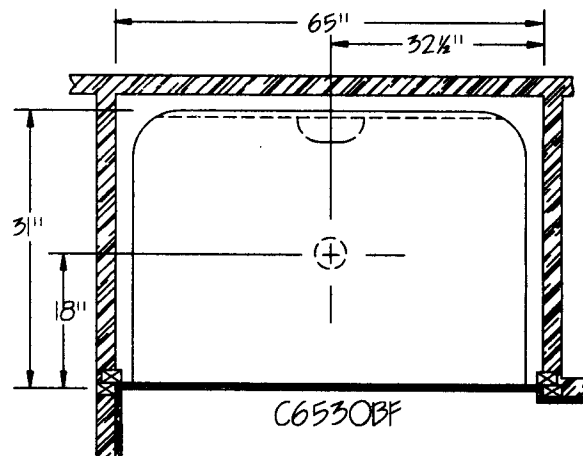
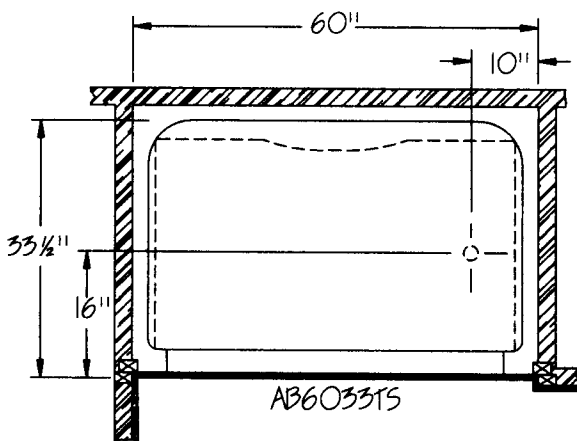
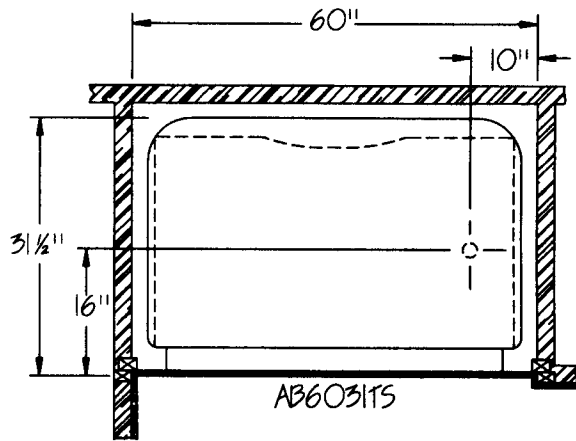
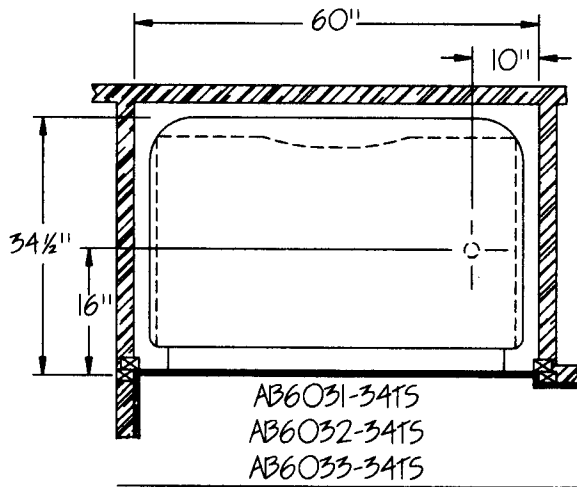
Depending On State & Local Fire Code Rating Standards, Be Sure To Allow For 5/8" Drywall In Alcove Of Rough-In Dimensions.



NOTE: MAKE ALLOWANCE TO GET UNIT INTO ROOM

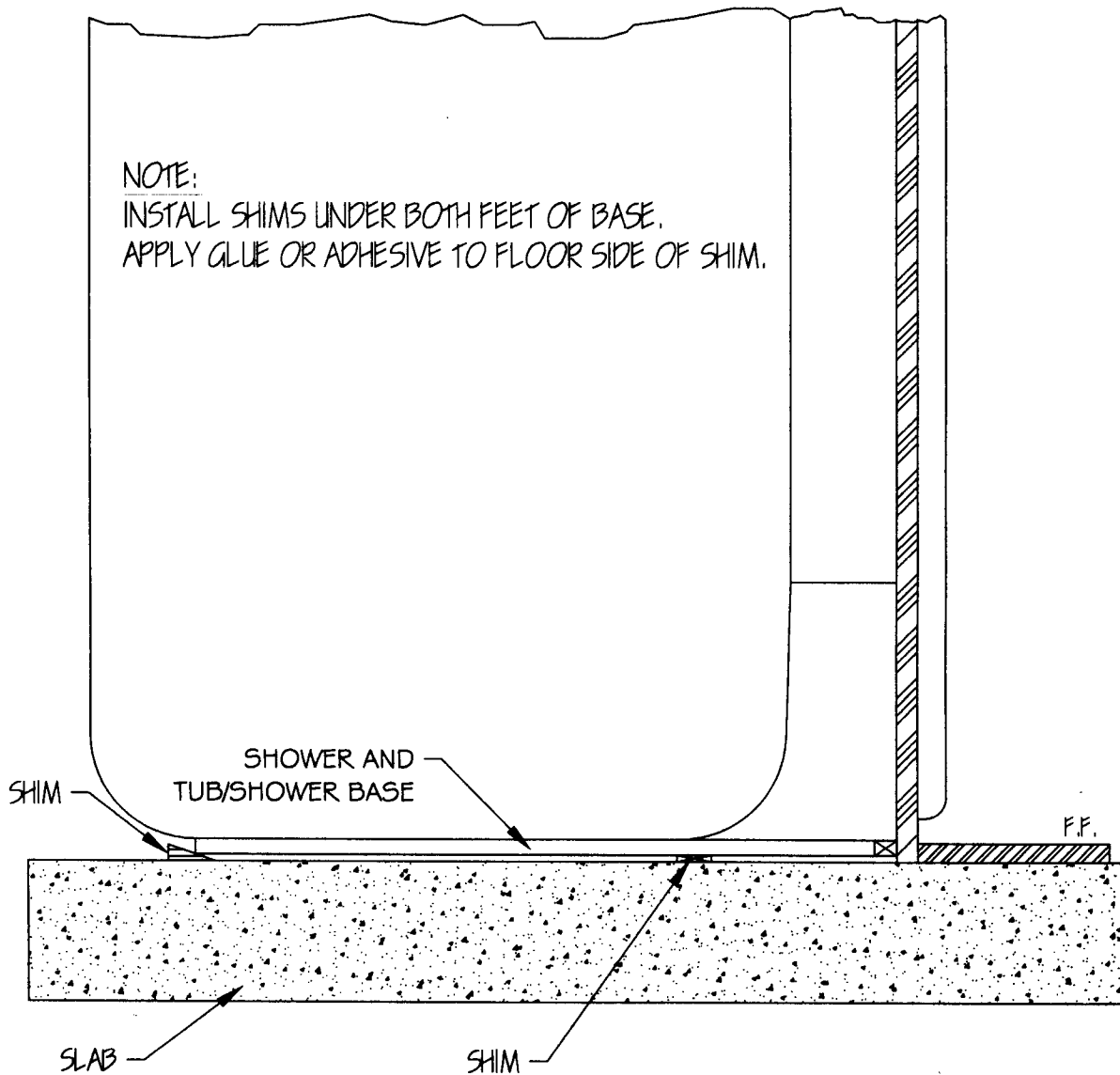
Page ID-13
Rough In and Drain Location Dimensions

NOTE:
 Depending On State & Local Fire Code
 Rating Standards, Be Sure To Allow For
 5/8" Drywall In Alcove Of Rough-In Dimensions.



NOTE: MAKE ALLOWANCE TO GET UNIT INTO ROOM

Page ID-14
Rough In and Drain Location Dimensions



SHIM DETAIL FOR SHOWERS & TUB / SHOWERS

(Other Than Aqua Bath's Care Series ADA Compliant Units)

(See Pages ID-15, ID-16, ID-17, ID-18 and ID-19)

Page ID-15

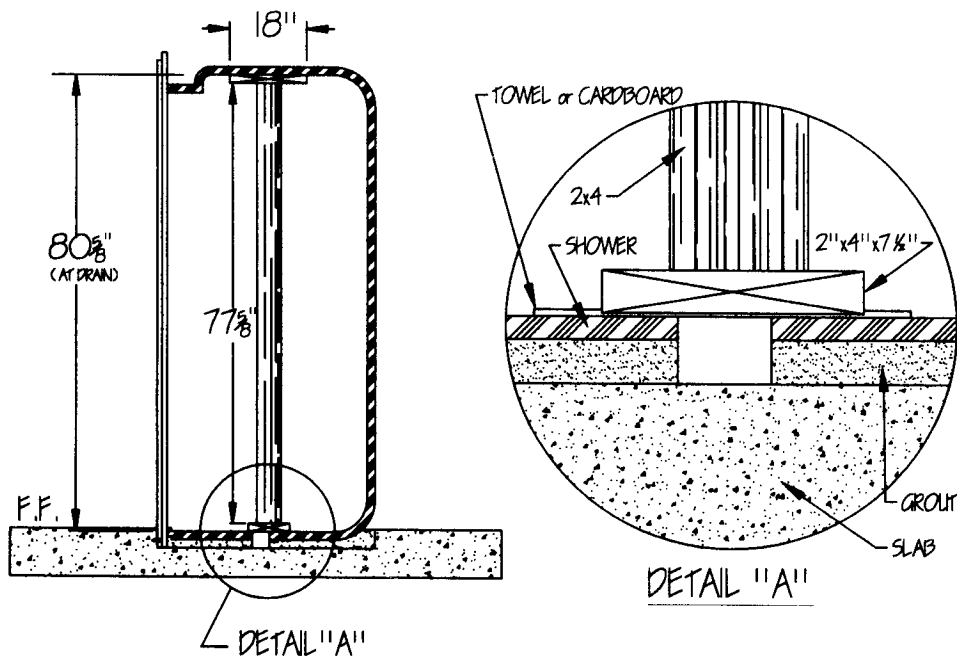
Typical Shimming Detail for Showers & Tub/Showers



INSTALLATION OF A C4136BF-FUS BARRIER FREE TRANSFER SHOWER UNIT

**BE SURE TO USE A NON-SHRINK GROUT
(MIX GROUT EXTRA WET)**

- Step#1 Measure Inside Height From Drain Sump To Top Of Unit. Unit Should Measure Between 80½" TO 80¾".
- Step#2 Cut 2x4 For Top Approximately 18". (Can Be Longer Providing Area On Top Is Flat).
- Step#3 Cut 2x4 For Drain 7½" Long.
- Step#4 Cut Bracing Member (2x4) To Length (Minus 3" For Drain & Top Members In Steps 2 & 3)
- Step#5 Place Unit In Grout Mixture.
- Step#6 Check Unit For Level & Plumb While Continually Working Unit Into Grout Bed.
- Step#7 Secure Unit To Framing Members.
- Step#8 Place Brace In Shower As Shown In Details Below. Be Sure To Place A Towel Between Unit And Wood So As Not To Scratch Acrylic.
- Step#9 Inspect Unit For High Spots In Bottom (Adjust Brace If Needed).
- Step#10 Leave Brace In Place Overnight To Allow Grout To Cure.
- Step#11 Remove Brace.



Page ID-16

Installation of a C4136BF-FUS Barrier Free Transfer Shower Unit



**INSTALLATION OF A C6536BF 3/4" & C6536BF-FUS 3/4"
AND A C6530BF 3/4" & C6530BF-FUS 3/4"
BARRIER FREE ROLL-IN SHOWER UNIT**

**BE SURE TO USE A NON-SHRINK GROUT
(MIX GROUT EXTRA WET)**

- Step#1 Measure Inside Height From Drain Sump To Top Of Unit. Unit Should Measure Between 80½" TO 80¾".
- Step#2 Cut 2x4 For Top Approximately 18". (Can Be Longer Providing Area On Top Is Flat).
- Step#3 Cut 2x4 For Drain 7½" Long.
- Step#4 Cut Bracing Member (2x4) To Length (Minus 3" For Drain & Top Members In Steps 2 & 3)
- Step#5 Clean The Area Directly Below The Threshold (For Future Application Of Adhesive).
- Step#6 Place Unit In Grout Mixture.
- Step#7 Check Unit For Level & Plumb While Continually Working Unit Into Grout Bed.
- Step#8 Secure Unit To Framing Members.
- Step#9 Place Brace In Shower As Shown In Figure #1 Page ID-18. Be Sure To Place A Towel Between Unit And Wood So As Not To Scratch Acrylic.
- Step#10 Inspect Unit For High Spots In Bottom (Adjust Brace If Needed).
- Step#11 Secure Secondary Brace At Threshold Of Unit As Shown In Figure #2 Page ID-18.
- Step#12 Leave Braces In Unit Overnight Or For 24 Hours To Allow Grout Bed To Cure.
- Step#13 Remove Brace.

If Threshold Appears To Be Bowed At Flanges Even After Removing Braces, Follow These Extra Steps:

- Step#1 Clean The Area Directly Below The Threshold For Application Of Construction Adhesive Or Liquid Nails.
- Step#2 Apply A Generous Bead Of Construction Adhesive Directly Under The Threshold And Brace Into Place As Shown In Figure #2 Page ID-18.
- Step#3 Prepare Braces So As To Hold The Threshold In Place While The Adhesive Cures.

Page ID-17

Installation of a C6536BF 3/4" & C6536BF-FUS 3/4" Barrier Free Roll-In Shower Unit

◆AQUA BATH COMPANY INC.◆921 Cherokee Ave.◆Nashville, TN 37207◆1-800-232-2284◆Fax (615) 227-9446◆

◆www.aquabath.com◆

10/03

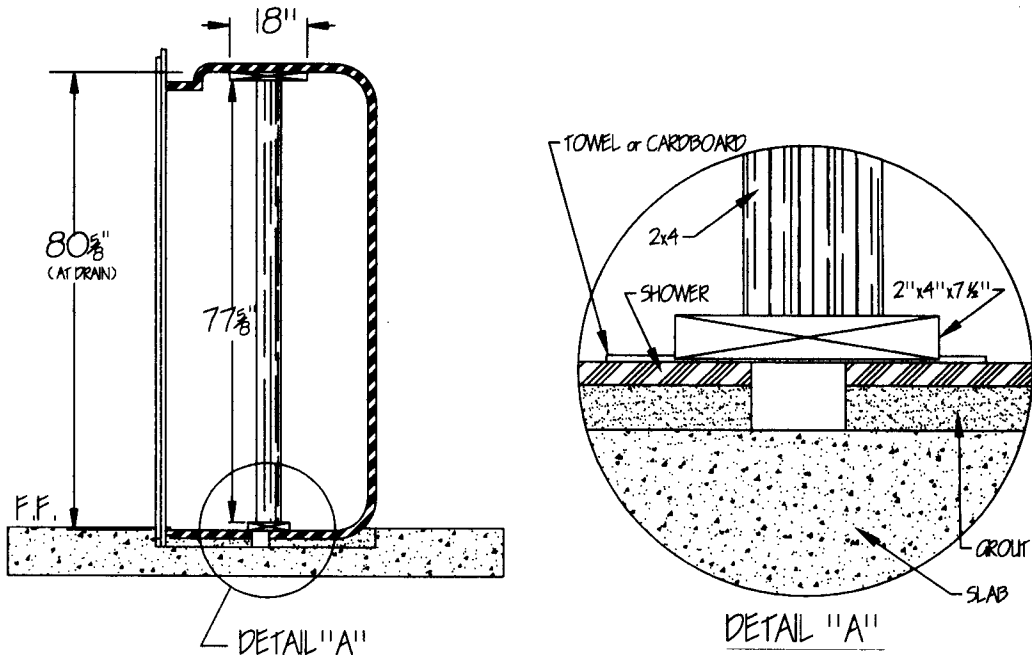


FIGURE #1

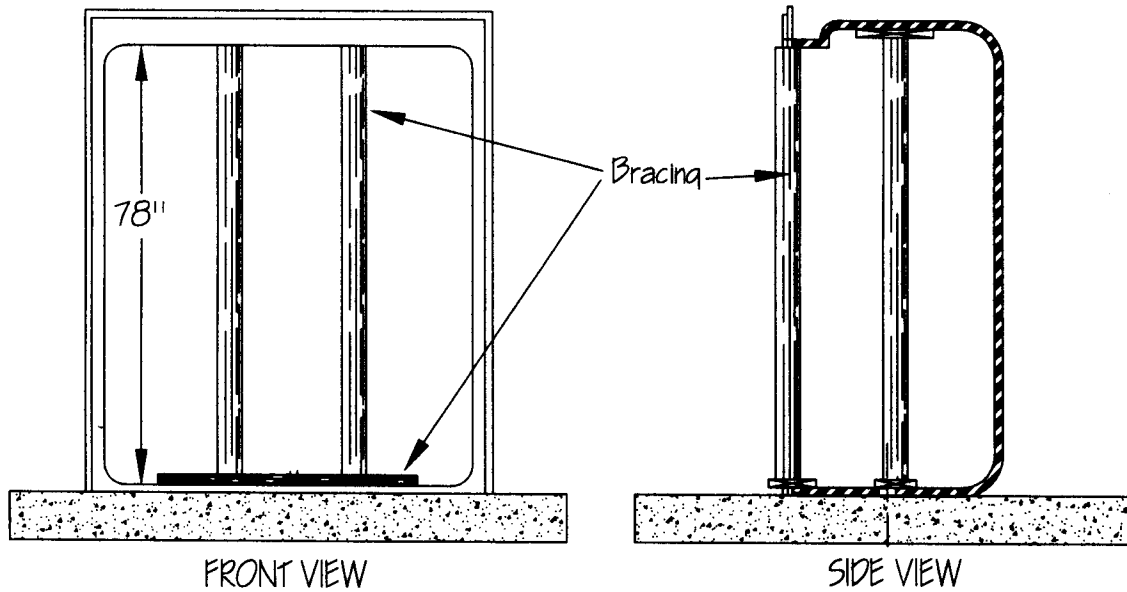


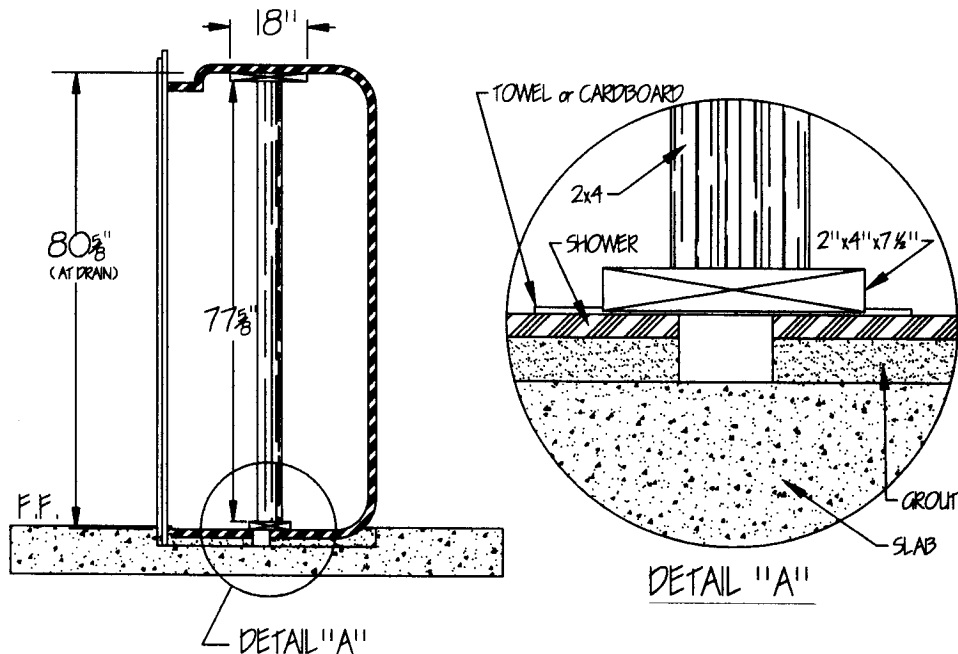
FIGURE #2



INSTALLATION OF A C6536BF 2" & C6536BF-FUS 2" AND A C6530BF 2" & C6530BF-FUS 2" BARRIER FREE ROLL-IN SHOWER UNIT

**BE SURE TO USE A NON-SHRINK GROUT
(MIX GROUT EXTRA WET)**

- Step#1 Measure Inside Height From Drain Sump To Top Of Unit. Unit Should Measure Between $80\frac{1}{2}$ " TO $80\frac{3}{4}$ ".
- Step#2 Cut 2x4 For Top Approximately 18". (Can Be Longer Providing Area On Top Is Flat).
- Step#3 Cut 2x4 For Drain $7\frac{1}{2}$ " Long.
- Step#4 Cut Bracing Member (2x4) To Length (Minus 3" For Drain & Top Members In Steps 2 & 3)
- Step#5 Place Unit In Grout Mixture.
- Step#6 Check Unit For Level & Plumb While Continually Working Unit Into Grout Bed.
- Step#7 Secure Unit To Framing Members.
- Step#8 Place Brace In Shower As Shown In Details Below. Be Sure To Place A Towel Between Unit And Wood So As Not To Scratch Acrylic.
- Step#9 Inspect Unit For High Spots In Bottom (Adjust Brace If Needed).
- Step#10 Leave Brace In Place Overnight To Allow Grout To Cure.
- Step#11 Remove Brace.



Page ID-19

Installation of a C6536BF 2" & C6536BF-FUS 2" Barrier Free Roll-In Shower Unit

◆AQUA BATH COMPANY INC.◆921 Cherokee Ave.◆Nashville, TN 37207◆1-800-232-2284◆Fax (615) 227-9446◆

10/03

◆www.aquabath.com◆



1. Product Name

QUIKRETE® Non-Shrink Precision Grout #1585-00

2. Manufacturer

The QUIKRETE Companies
 One Securities Centre
 3490 Piedmont Rd., NE, Suite 1300
 Atlanta, GA 30305
 (404) 634-9100
 Fax: (404) 842-1424
 www.quikrete.com

3. Product Description

BASIC USE

Typical applications for QUIKRETE Non-Shrink Precision Grout include grouting of:

- All types of machinery
- Steel columns
- Bearing plates
- Precast concrete
- Other anchoring conditions that require high in-service strength

The nonshrink characteristics of Non-Shrink Precision Grout make it stable and capable of handling high load transfers.

COMPOSITION & MATERIALS

QUIKRETE Non-Shrink Precision Grout is a non-metallic Portland cement based material. Non-Shrink Precision Grout is a preblended product including expansive additives, requiring only the addition of water to obtain flowable properties and high strengths.

SIZES

- 50 lb (22.7 kg) bags

COLORS

- Gray

YIELD

A 50 lb (22.7 kg) bag of QUIKRETE Non-Shrink Precision Grout will yield 0.45 cu ft (12.7 L) at flowable consistency.

LIMITATIONS

The proper cleaning and wetting of surfaces to be grouted is vital to maximum performance. Hot and cold temperature precautions, as they apply to concrete, should also be followed.

4. Technical Data

APPLICABLE STANDARDS

ASTM International

- ASTM C109/C109M Standard Test Method for Compressive Strength of Hydraulic Cement Mortars (Using 2-in. or (50-mm) Cube Specimens)
- ASTM C939 Standard Test Method for Flow of Grout for Preplaced-Aggregate Concrete (Flow Cone Method)
- ASTM C1090 Standard Test Method for Measuring Changes in Height of Cylindrical Specimens from Hydraulic-Cement Grout
- ASTM C1107 Standard Specification for Packaged Dry, Hydraulic-Cement Grout (Nonshrink)
- ASTM E488 Standard Test Methods for Strength of Anchors in Concrete and Masonry Elements

TABLE 1 TYPICAL PHYSICAL PROPERTIES AT 73°F (23°C)

Compressive strength, ASTM C109 modified per ASTM C1107	
Plastic consistency	
1 day	3000 psi (20.7 MPa)
3 days	9500 psi (65.5 MPa)
7 days	10,000 psi (68.9 MPa)
28 days	14,000 psi (96.5 MPa)
Height change, ASTM C1090	
1, 3, 7 and 28 days	0 - 0.2%
Flowable consistency	
1 day	3000 psi (20.7 MPa)
3 days	9000 psi (62.1 MPa)
7 days	9500 psi (65.5 MPa)
28 days	12,500 psi (86.2 MPa)
Height change, ASTM C1090	
1, 3, 7 and 28 days	0 - 0.2%
Fluid consistency	
1 day	2500 psi (17.2 MPa)
3 days	5000 psi (34.5 MPa)
7 days	6000 psi (41.4 MPa)
28 days	8000 psi (55.2 MPa)
Height change, ASTM C1090	
1, 3, 7 and 28 days	0 - 0.2%
Pull-out strength, ASTM E488 ¹	
	35,000 psi (241 MPa)

¹ 1 1/4" (31 mm) bolts embedded 9" (225 mm) deep in 3" (75 mm) hole in 2000 psi (13.8 MPa) concrete.



QUIKRETE® Non-Shrink Precision Grout #1585-00

U.S. Army Corps of Engineers (USACE) - CRD 621

PHYSICAL/CHEMICAL PROPERTIES

QUIKRETE Non-Shrink Precision Grout complies with all properties of ASTM C1107 and CRD 621 producing the results shown in Table 1.

5. Installation

MIXING

QUIKRETE Non-Shrink Precision Grout should be mechanically mixed for a minimum of 5 minutes.

PRECAUTIONS

Add the minimum amount of water necessary to produce the desired flow characteristics as indicated in Table 2. Do not exceed a flow of 20 seconds per ASTM C939.

METHODS

Surfaces to receive the grout must be clean and free of any type of foreign matter, grease, paint, oil, dust or efflorescence. In some cases it may be necessary to roughen smooth surfaces or etch old ones with acid. The area should be flushed and soaked with clean water prior to grouting leaving no standing water. Place the

TABLE 2 APPROXIMATE WATER REQUIRED FOR 50 LB (22.7 KG) OF GROUT

Plastic	1 gal (3.8 L)
Flowable	1 gal + 1 pt (4.3 L)
Fluid	1 gal + 3 pt (5.2 L)

TABLE 3 WORKING TIME

Temperature	Working time
50°F (10°C)	25 min
73°F (23°C)	25 min
90°F (32°C)	15 min



grout quickly and continuously using light rodding to eliminate air bubbles.

WORKING TIME

When properly mixed to a fluid consistency QUIKRETE Non-Shrink Precision Grout will comply with all portions of ASTM C1107 and CRD 621 and retain a fluid consistency for the maximum usable working times stated in Table 3.

TEMPERATURE

Grout temperature should be maintained from 50 - 90 degrees F (10 - 32 degrees C) to achieve specified results. Use cold water in hot weather or hot water in cold weather to achieve desired grout temperature. Do not pour grout if temperature is expected to go below 32 degrees F (0 degrees C) within a 12 hour period.

CURING

A damp cure of at least 3 days is necessary to control the nonshrink characteristics and maintain strength levels.

6. Availability

QUIKRETE Non-Shrink Precision Grout is available at leading concrete construction supply houses and distributors. Contact QUIKRETE Construction Products for the name of the nearest dealer.

7. Warranty

The QUIKRETE Companies warrant this product to be of merchantable quality when used or applied in accordance with the instructions herein. The product is not warranted as suitable for any purpose or use other than the general purpose for which it is intended. Liability under this warranty is limited to the replacement of its product (as purchased) found to be defective, or at the shipping companies' option, to refund the purchase price. In the event of a claim under this warranty, notice must be given to The QUIKRETE Companies in writing. This limited warranty is issued and accepted in lieu of all other express warranties and expressly excludes liability for consequential damages.

8. Maintenance

None required.

9. Technical Services

The QUIKRETE Companies maintain technical field representatives throughout the country. Contact a local distributor for the name and number of the nearest representative, or call QUIKRETE Construction Products.

10. Filing Systems

- First Source™
- Additional product information is available from the manufacturer.