



INSTALLATION DETAILS TABLE OF CONTENTS

Basic Installation Requirements	ID-1
Top of Slab Installation	
• 3/4" Threshold - (New Construction) - C4136BF-FUS and IS4136BF	ID-2
• 3/4" Threshold - (Remodeling) - C4136BF-FUS and IS4136BF	ID-3
• Typical Floor Float for 3/4" Threshold	ID-4
Pit Details	
• Typical Pit Installation for 3/4" Threshold	ID-5
• Typical Pit Installation for 2" Threshold	ID-6
Framing Details	
• Typical Wood Stud Detail	ID-7
• Typical Metal Stud Detail	ID-8
• Wood Stud Method for Corner Shower	ID-9
• Metal Stud Method for Corner Shower	ID-10
Rough In and Drain Location Dimensions	
• IS3234SH, AB3234SH, IS3632SH, AB3632SH, AB3634SH, IS4848BF	ID-11
• C6032TS, IS6032TS, AB6032TS, C7236TS, IS7236TS, AB7236TS IS6036BF, IS6036SH, AB6036SH, IS7236BF, C6536BF	ID-12
• IS4136BF, IS4136SH, C4136BF, IS4836BF, IS4836SH, AB4834SH	ID-13
• AB6031-34TS, AB6032-34TS, AB6033-34TS, AB6031TS, AB6033TS C6530BF	ID-14
Setting Units in Place	
• Typical Shimming Detail for Showers & Tub/Showers	ID-15
• Installation of a C4136BF-FUS Barrier Free Transfer Shower Unit	ID-16
• Installation of a C6536BF 3/4" & C6536BF-FUS 3/4" and C6530BF 3/4" & C6530BF-FUS 3/4" Barrier Free Roll-In Shower Unit	ID-17
• Details for a C6536BF 3/4" & C6536BF-FUS 3/4" and C6530BF 3/4" & C6530BF-FUS 3/4" Barrier Free Roll-In Shower Unit	ID-18
• Installation of a C6536BF 2" & C6536BF-FUS 2" and C6530BF 2" & C6530BF-FUS 2" Barrier Free Roll-In Shower Unit	ID-19

Installation Details Table of Contents



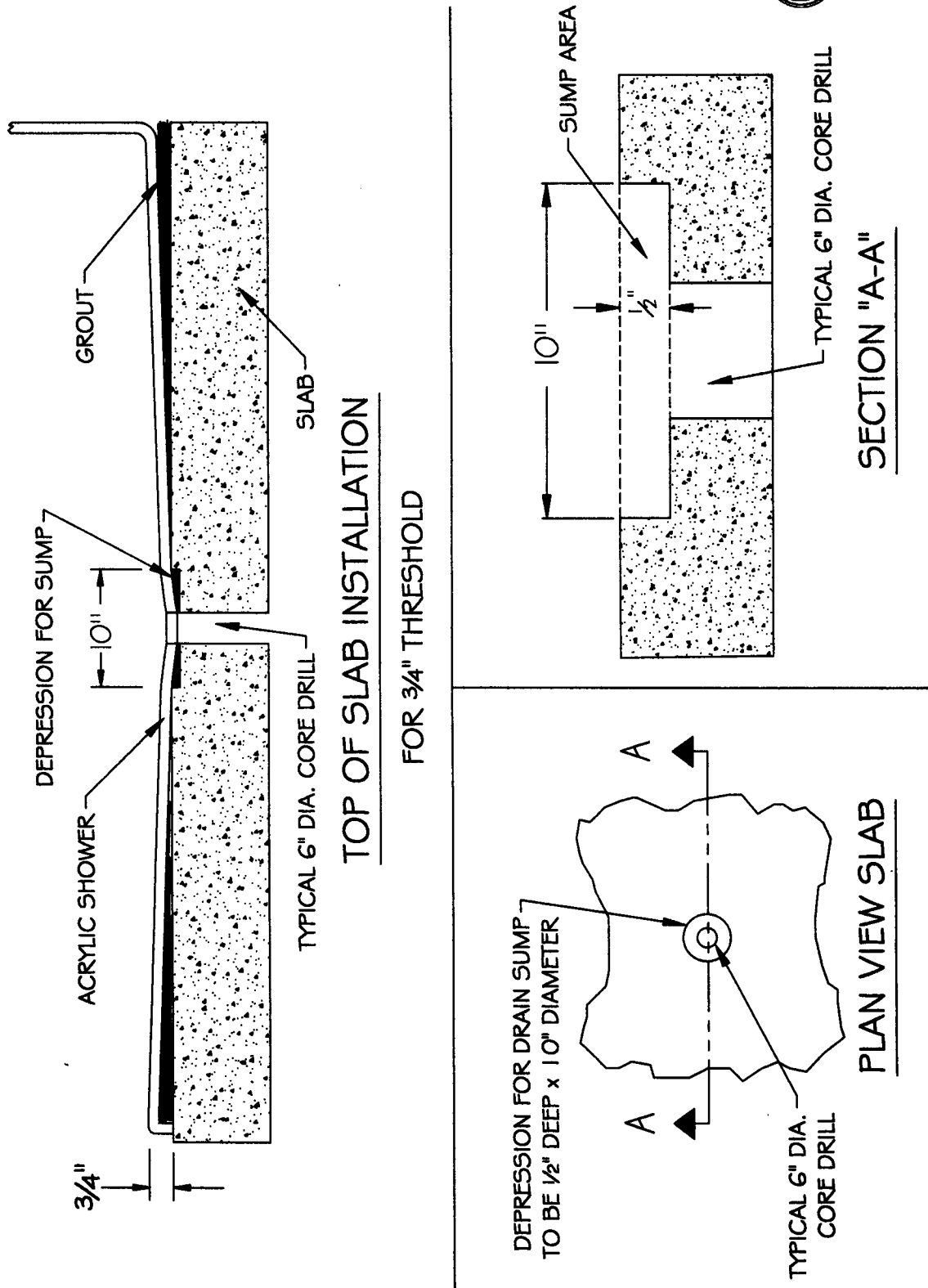
BASIC INSTALLATION REQUIREMENTS

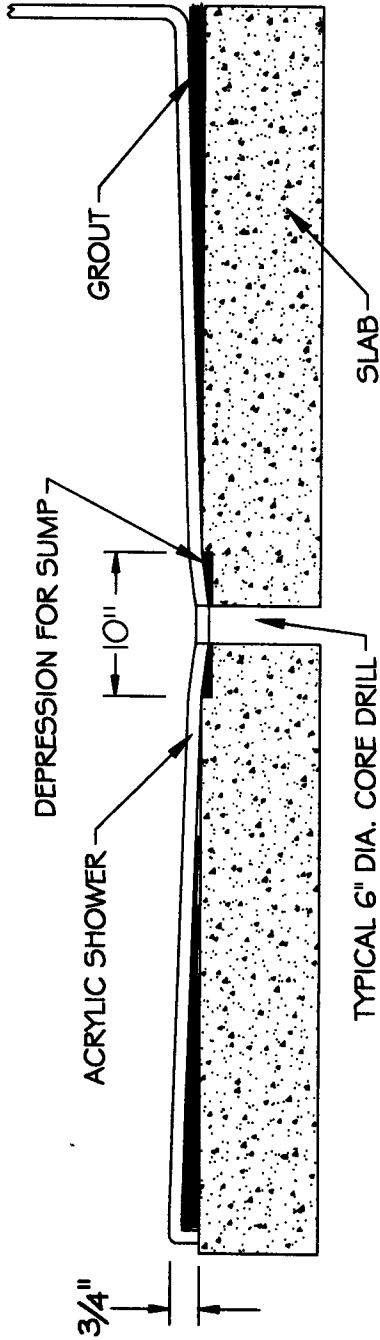
When installing Aqua Bath bathing modules, the following precautions should be taken to help reduce chances of damage during installation.

- Make allowances to get unit in room.
- Always bring unit to plumb (level).
- Always have a framing member behind the flanges.
- Always shim or grout under the base of the unit to assure positive contact with the floor.
- **ALL BARRIER FREE UNITS MUST BE SET IN GROUT - (NON SHRINK TYPE)**
(See Pages ID-15, ID-16, ID-17, ID-18 and ID-19 for installation details)
- **All 3/4" Barrier Free Units Must Be Stored On Their "Face-Plates" or "Backs". This Prevents Units against "Bowed Thresholds" and "Crowned Drains".**
- Keep the cardboard facing on the unit for protection as long as possible during construction
- Place a piece of cardboard or carpet in the unit when standing inside to prevent damage (Shipping face pack works well). **Scratched, Scuffed or Chipped Bottoms are considered "Jobsite Damage".**
- Do not store materials in the unit during construction.
- During clean up, use a mild non-abrasive cleaning agent. Do not use acetone or lacquer thinner since they may harm the acrylic finish. The following cleaners may be used:
 1. Ivory Liquid, Dawn or other liquid dishwashing detergent.
 2. Vinegar and water mixture (50/50 ratio).
 3. Alcohol, Denatured Alcohol or Mineral Spirits may be used.

The foregoing requirements have been supplied for you as typical guidelines to follow. Any installation other than these should have the approval of the Aqua Bath Company, Inc.

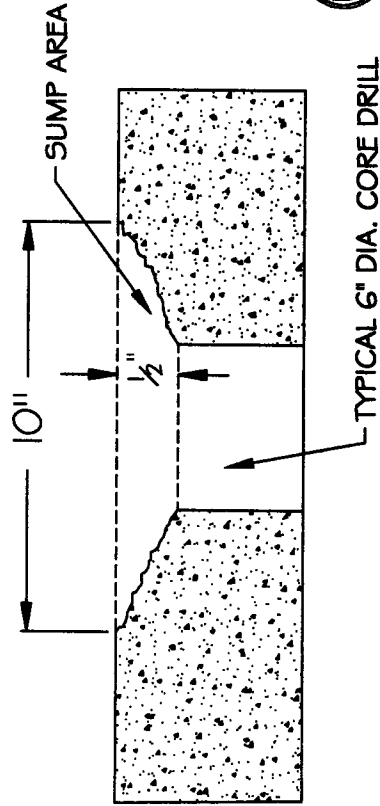
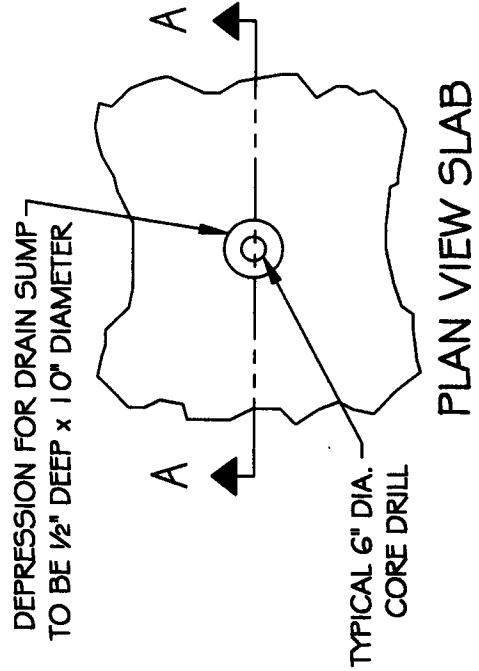
Any other type of installation MAY VOID MANUFACTURERS WARRANTY.





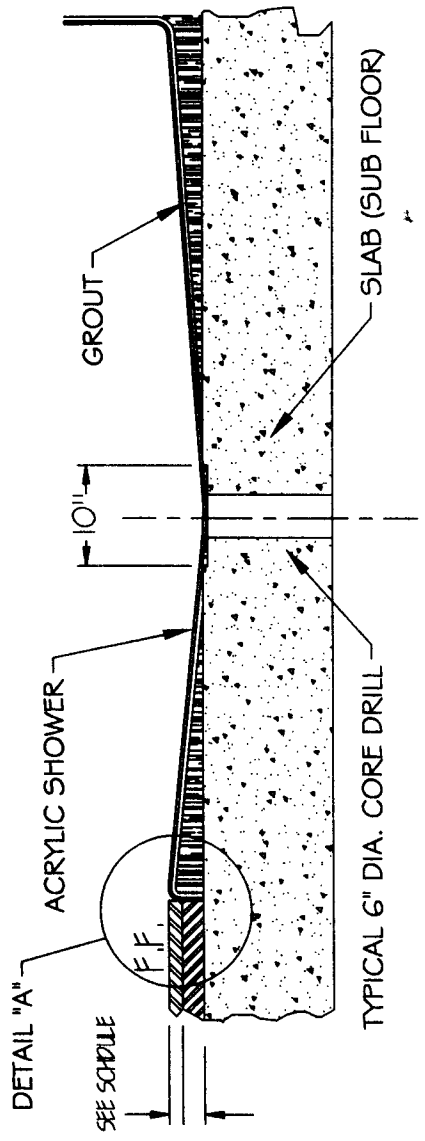
TOP OF SLAB INSTALLATION

FOR 3/4" THRESHOLD



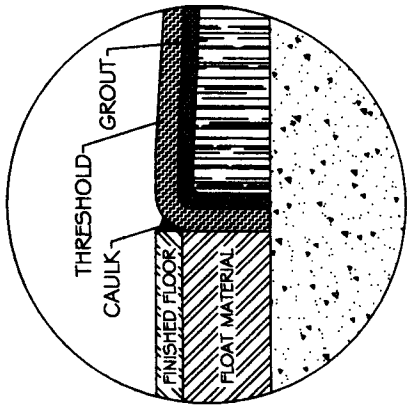
SECTION "A-A"

FOR REMODELING

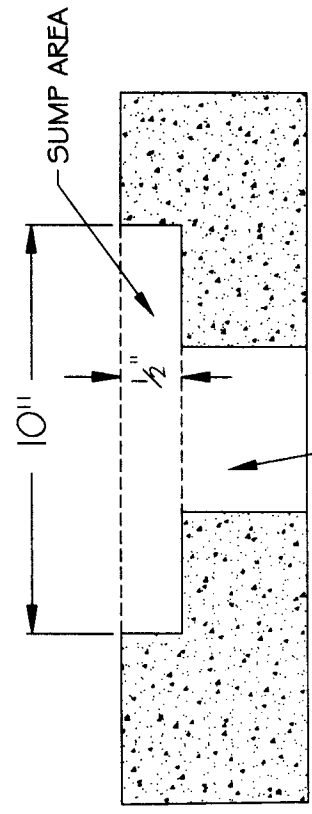


TYPICAL FLOOR FLOAT

TO MAKE A 3/4" THRESHOLD FLUSH WITH FINISH FLOOR



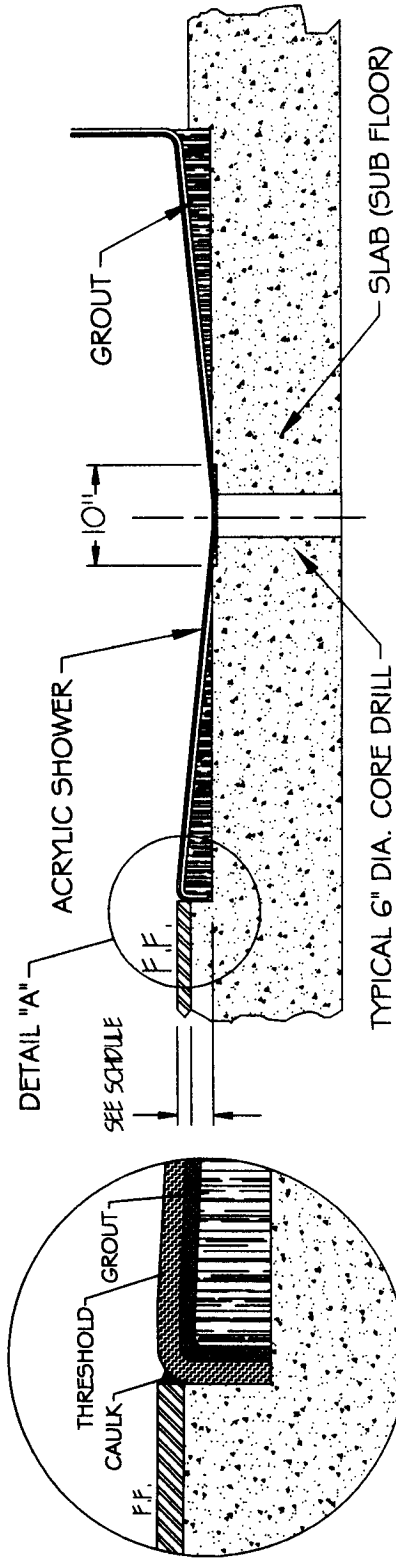
DETAIL "A"



CHIP OUT FOR DRAIN

TO MAKE A 3/4" THRESHOLD FLUSH WITH FINISH FLOOR MATERIAL		SUGGESTED FLOOR FLOAT
THICKNESS OF F.F. MATERIAL		
Up To 1/8"	1/4"	3/4"
	1/2"	1/2"
	1/2"	1/4"

NOTE: ARCHITECT/ENGINEER IS RESPONSIBLE FOR DETERMINING PROPER DEPTH OF FLOAT MATERIAL BASED ON FINISH FLOOR MATERIAL



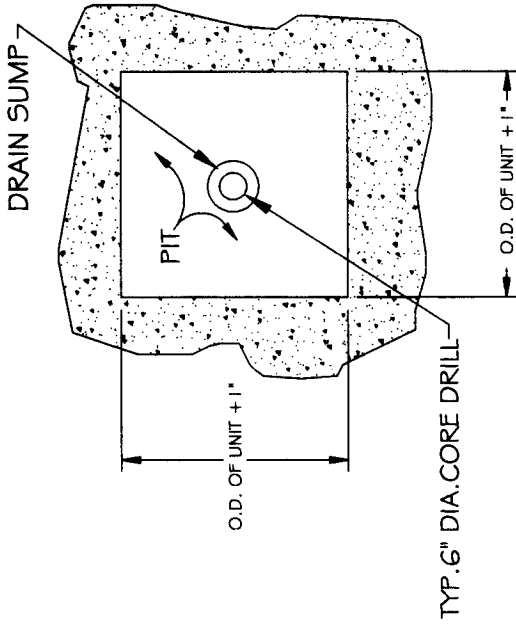
TYPICAL PIT INSTALLATION

DETAIL "A"

TO MAKE A 3/4" THRESHOLD FLUSH WITH FINISH FLOOR

Note:

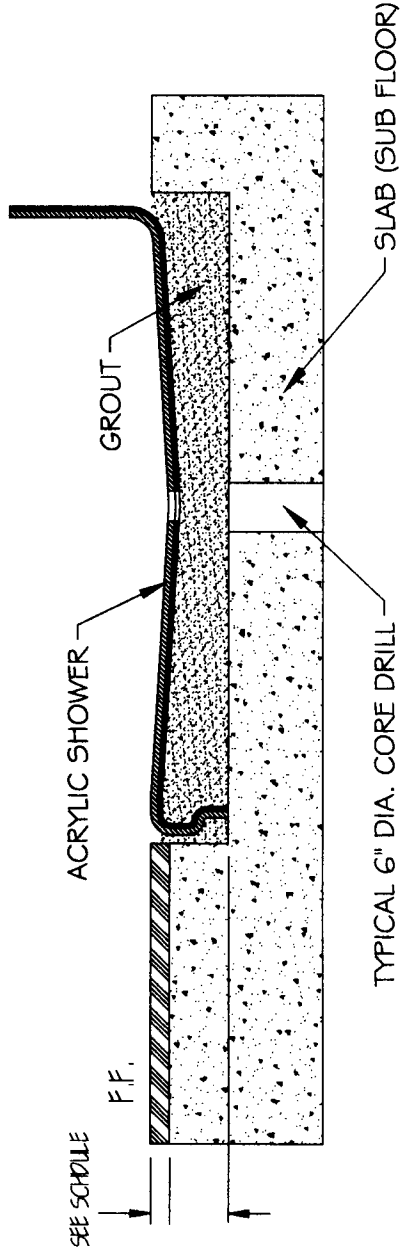
CG536BF & CG36BF-FUS (Roll-In Showers) Must Be Flush With Finish Floor To Meet ADAAG Compliance.
 C4136BF-FUS (Transfer Showers) Allows A 1/2" Variance Between Finish Floor & Top Of Threshold.



PIT DIMENSIONS

TO MAKE A 3/4" THRESHOLD FLUSH WITH FINISH FLOOR MATERIAL	
THICKNESS OF F.F. MATERIAL	SUGGESTED PIT DEPTH
Up To 1/8"	3/4"
1/4"	1/2"
1/2"	1/4"

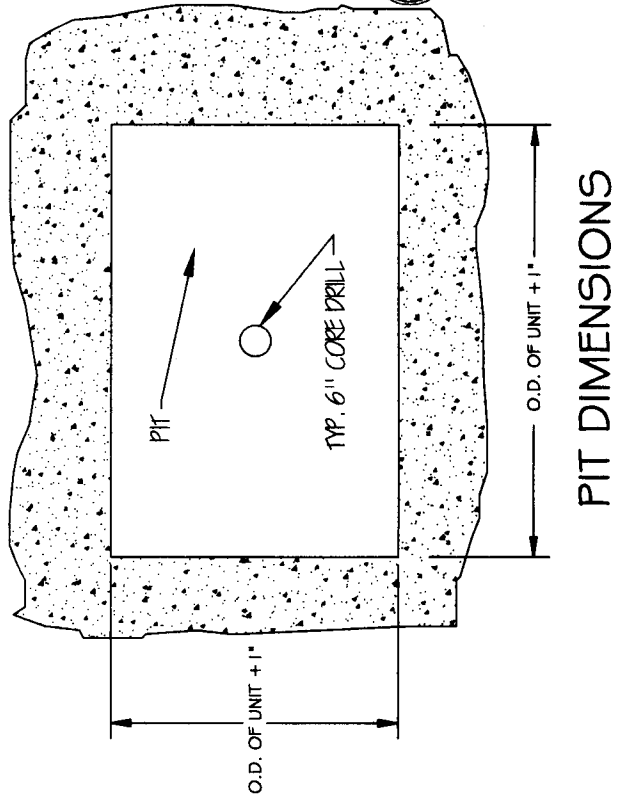
NOTE: ARCHITECT/ENGINEER IS RESPONSIBLE FOR DETERMINING PROPER PIT DEPTH BASED ON FINISH FLOOR MATERIAL



TYPICAL PIT INSTALLATION

TO MAKE A 2" THRESHOLD FLUSH WITH FINISH FLOOR

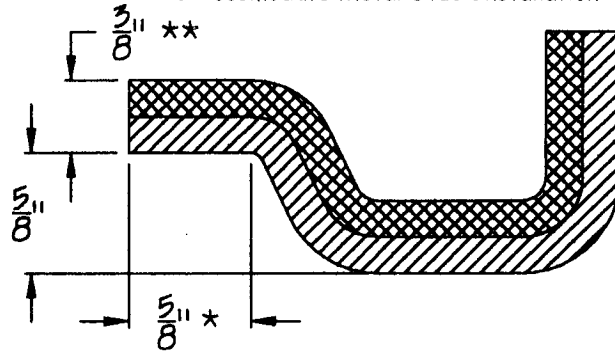
Note:
 C6536BF & C6536BF-FUS (Roll-In Showers) Must Be Flush With Finish Floor To Meet ADAAG Compliance.
 C4136BF-FUS (Transfer Showers) Allows A 1/2" Variance Between Finish Floor & Top Of Threshold.



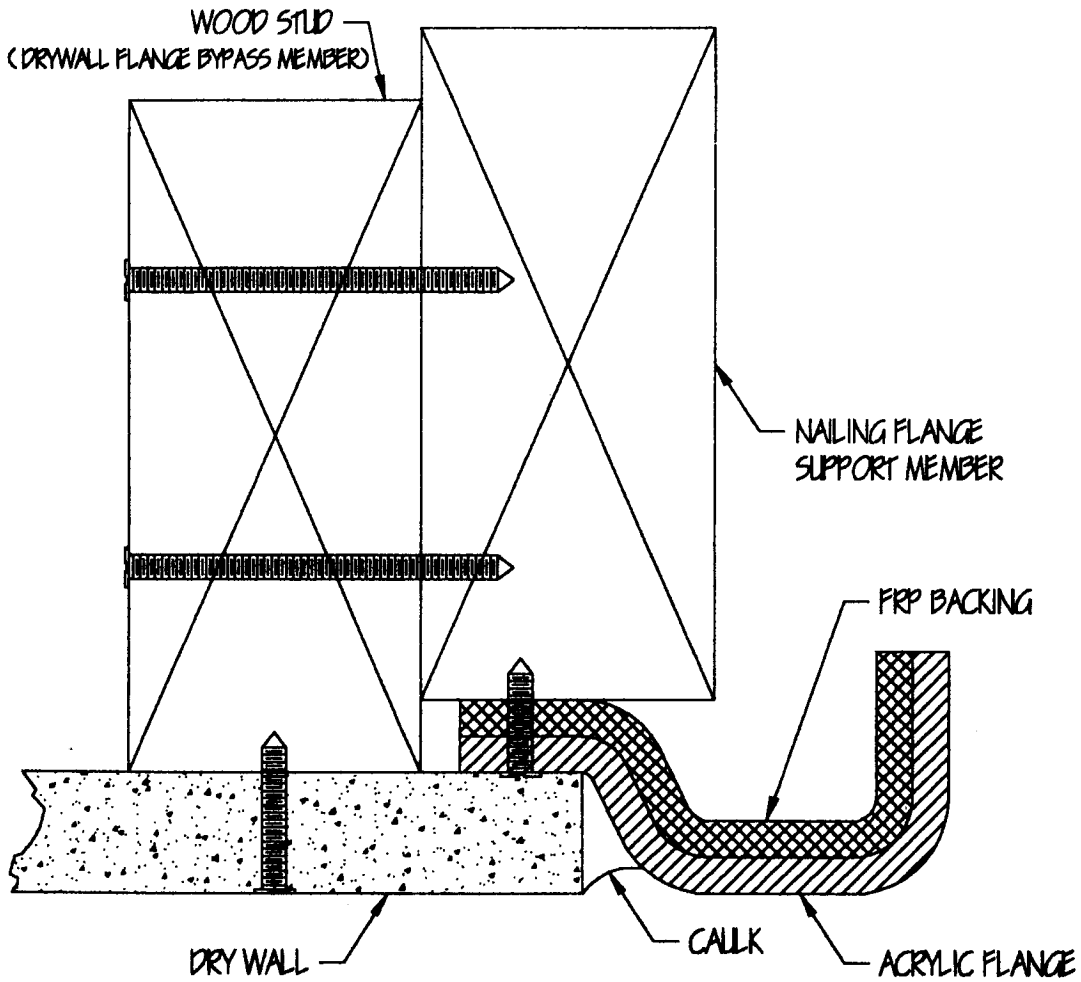
TO MAKE A 2" THRESHOLD FLUSH WITH FINISH FLOOR MATERIAL	
THICKNESS OF F.F. MATERIAL	SUGGESTED PIT DEPTH
Up To 1/8"	2"
1/4"	1 3/4"
1/2"	1 1/2"

NOTE: ARCHITECT/ENGINEER IS RESPONSIBLE FOR DETERMINING PROPER PIT DEPTH BASED ON FINISH FLOOR MATERIAL

** Manufacturing Tolerances Of $\pm 1/16"$
To Accomodate Metal Stud Installation

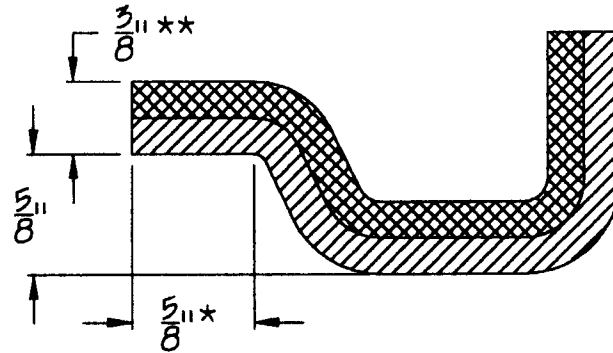


* Allowable Manufacturing Tolerances Of $\pm 1/8"$

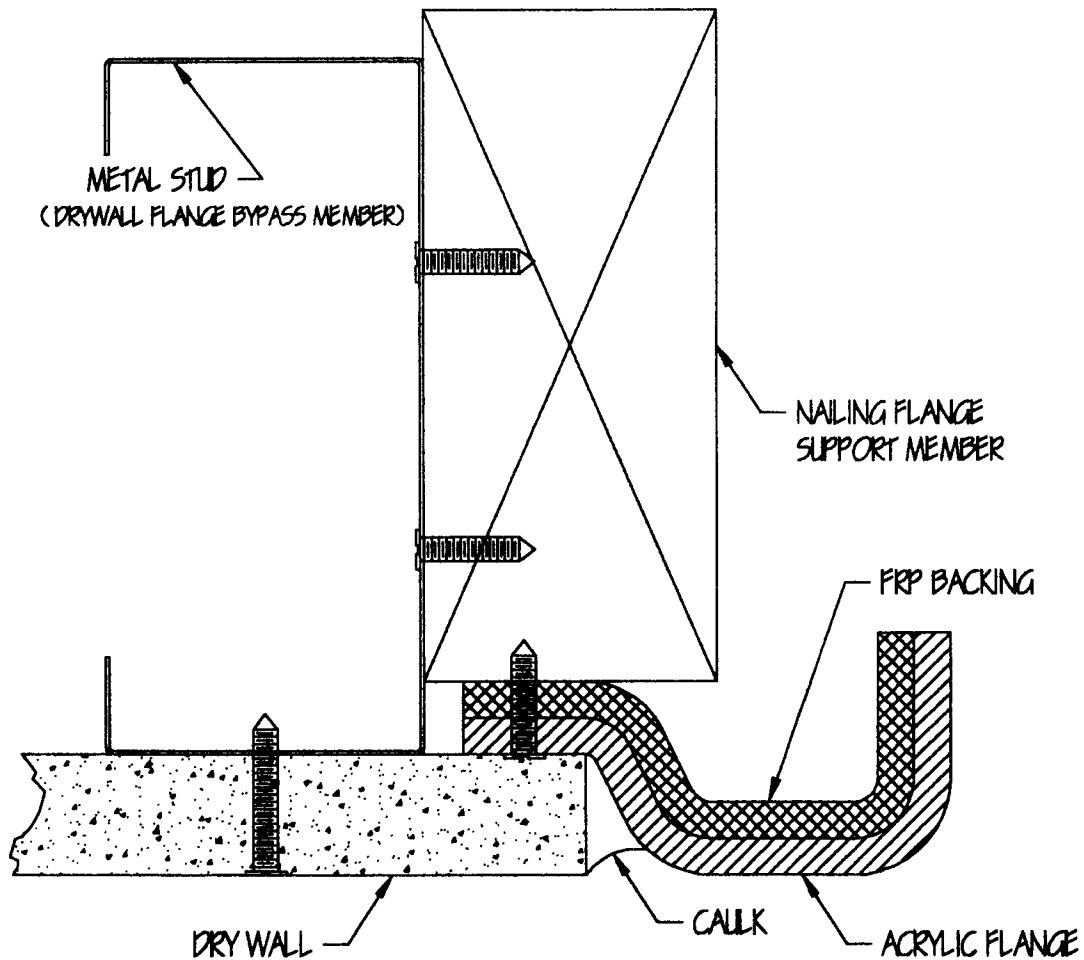


Page ID-7
Typical Wood Stud Detail

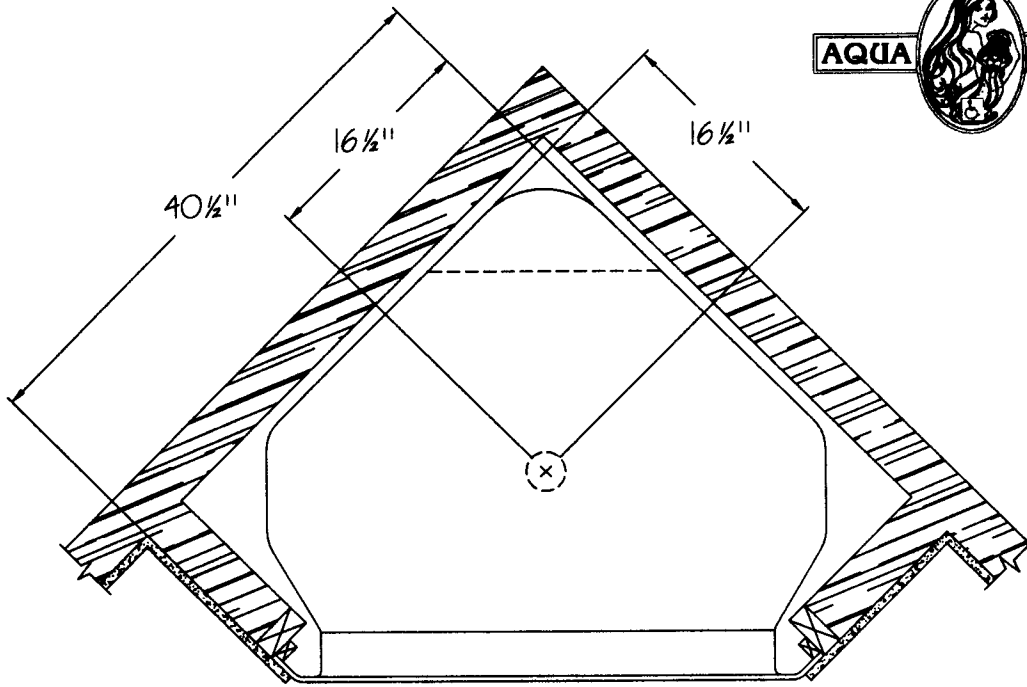
** Manufacturing Tolerances Of $\pm 1/16"$
To Accomodate Metal Stud Installation



* Allowable Manufacturing Tolerances Of $\pm 1/8"$

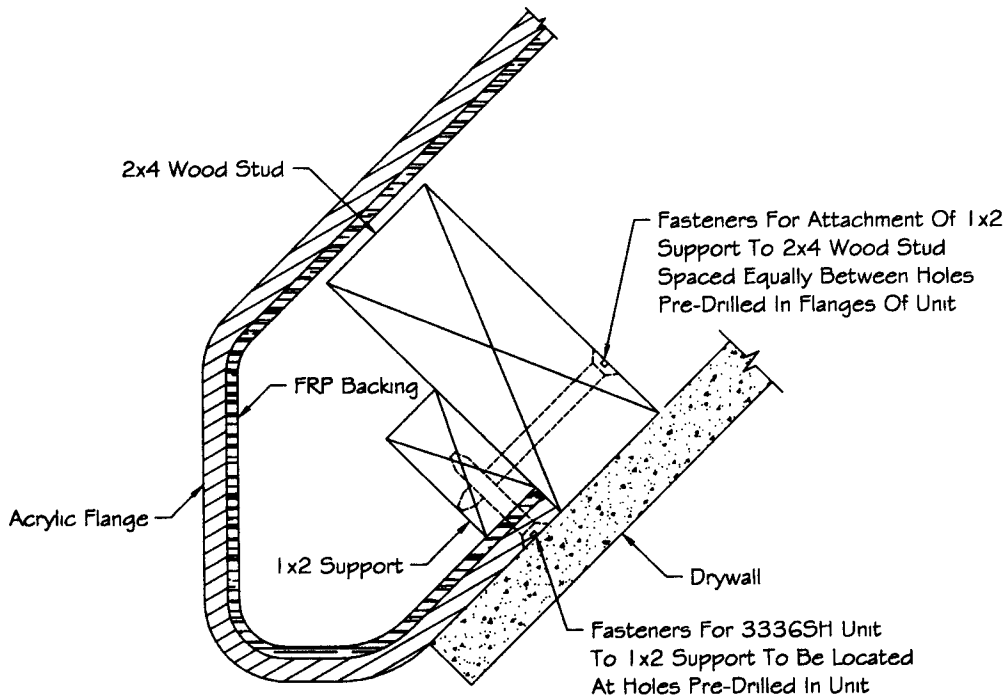


Page ID-8
Typical Metal Stud Detail



CRITICAL DIMENSIONS

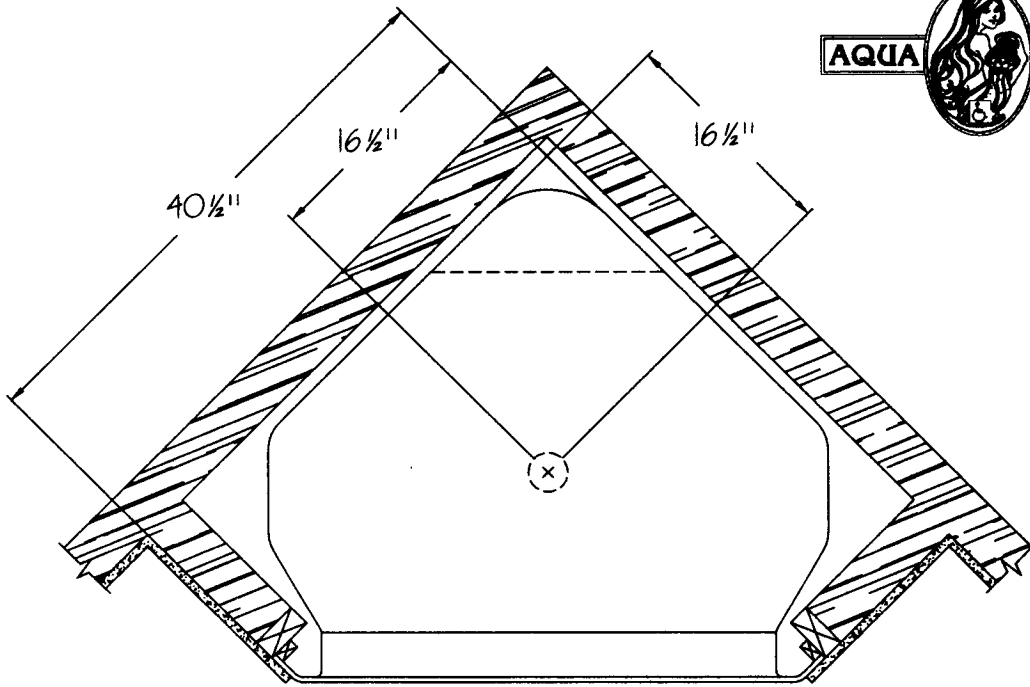
AB3336SH
IS3336SH



WOOD STUD DETAILS

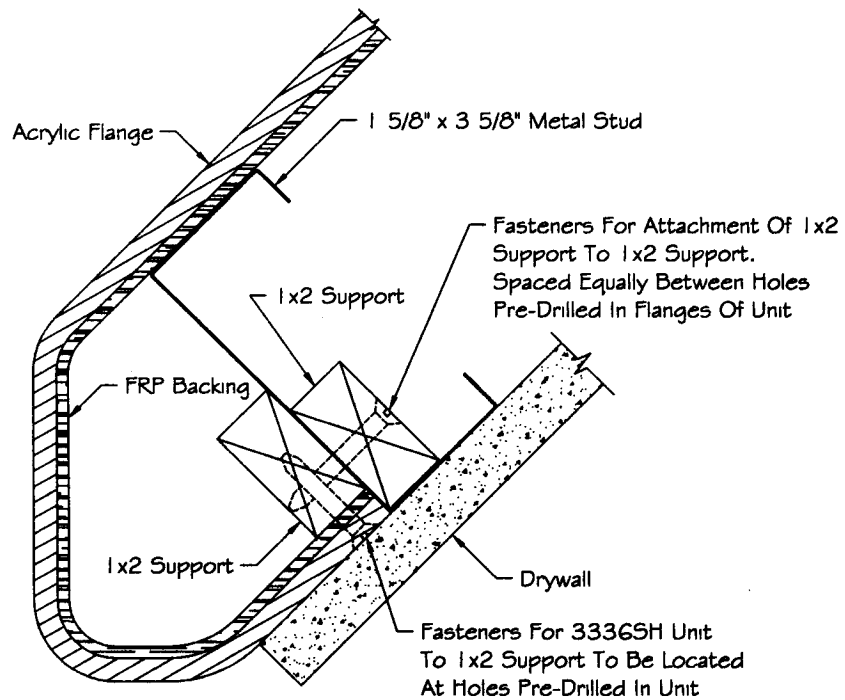
Page ID-9
Wood Stud Method for Corner Shower

10/03



CRITICAL DIMENSIONS

AB3336SH
IS3336SH

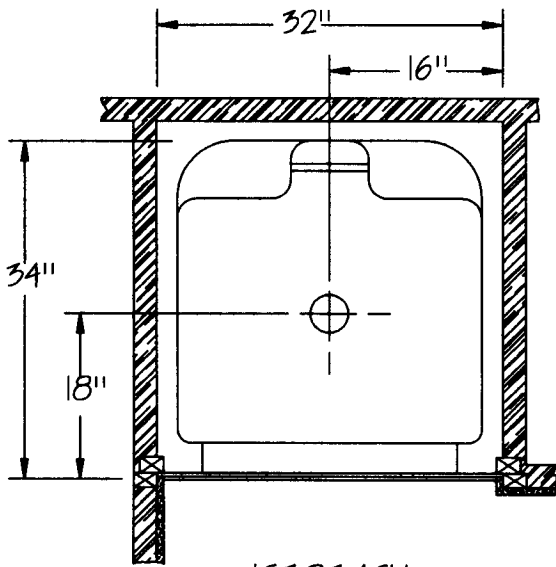


METAL STUD DETAILS

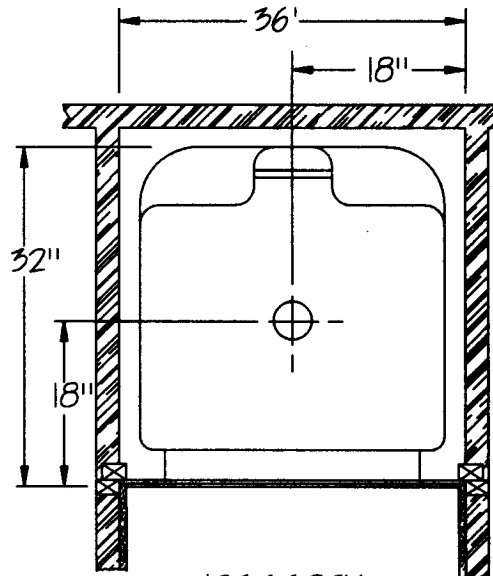
Page ID-10
Metal Stud Method for Corner Shower

NOTE:

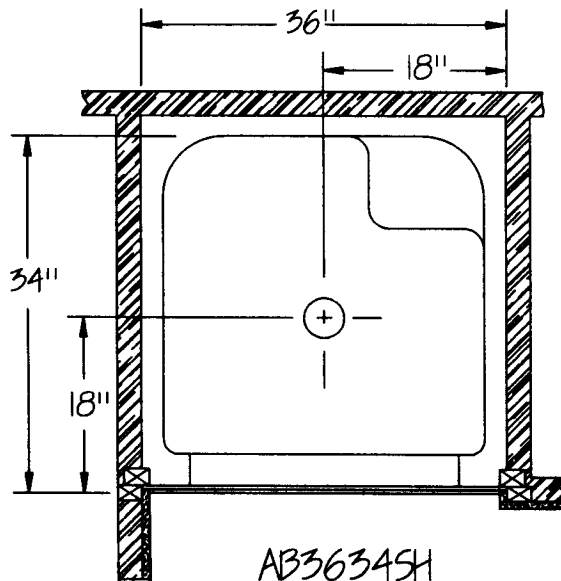
Depending On State & Local Fire Code Rating Standards, Be Sure To Allow For 5/8" Drywall In Alcove Of Rough-In Dimensions.



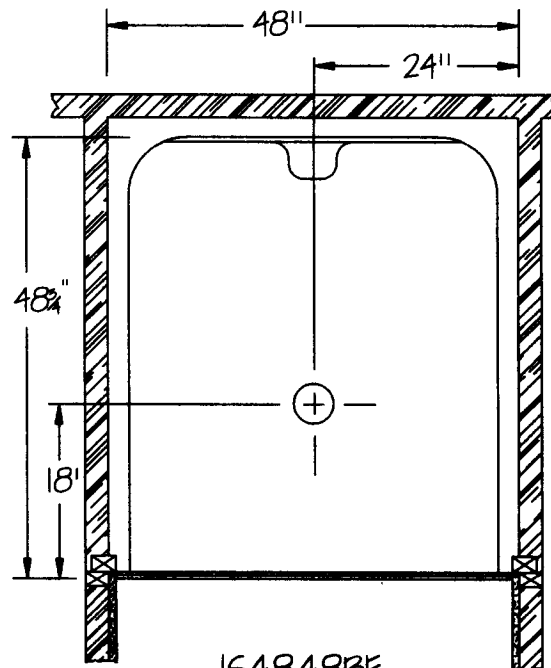
1S3234SH
AB3234SH



1S3632SH
AB3632SH



AB3634SH

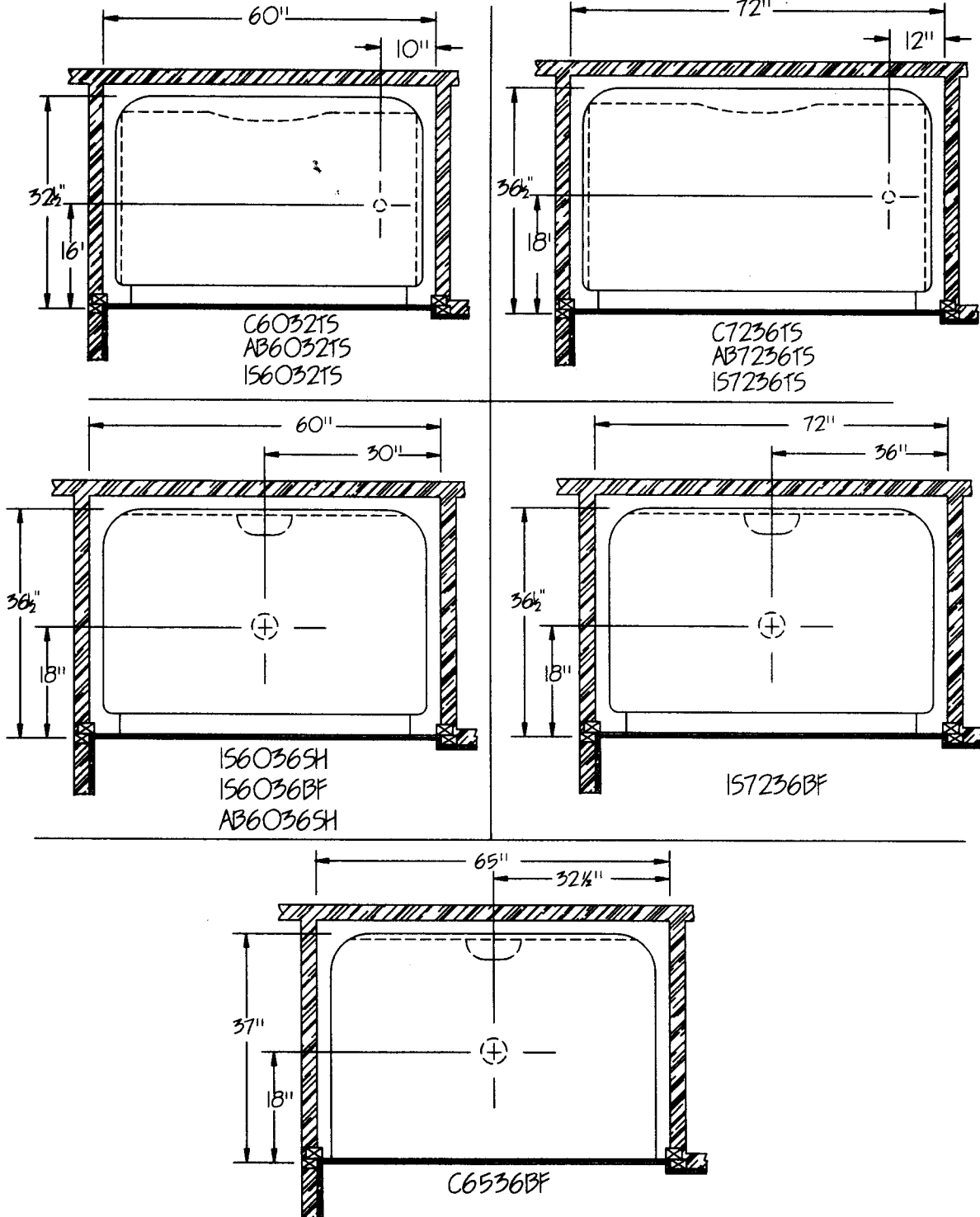


1S4848BF

NOTE: MAKE ALLOWANCE TO GET UNIT INTO ROOM

NOTE:

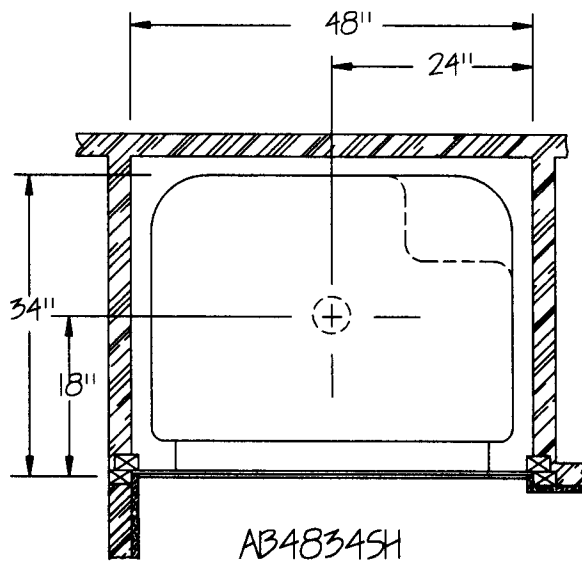
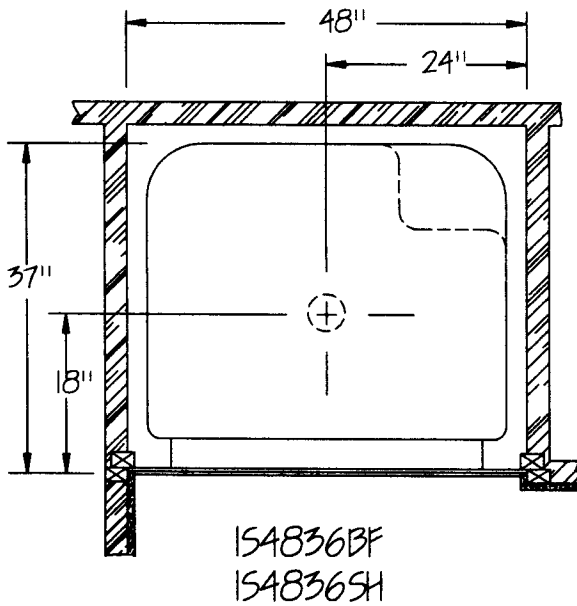
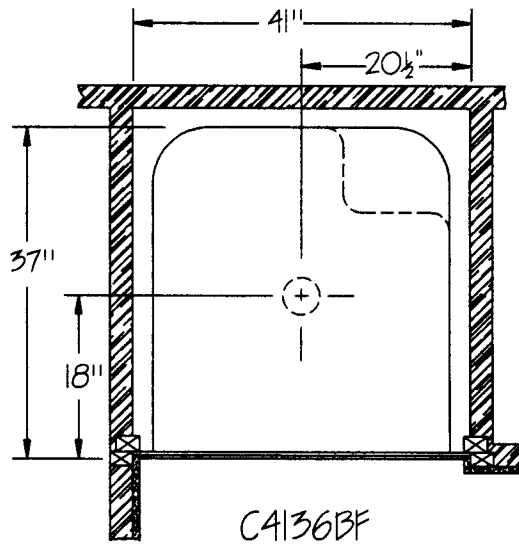
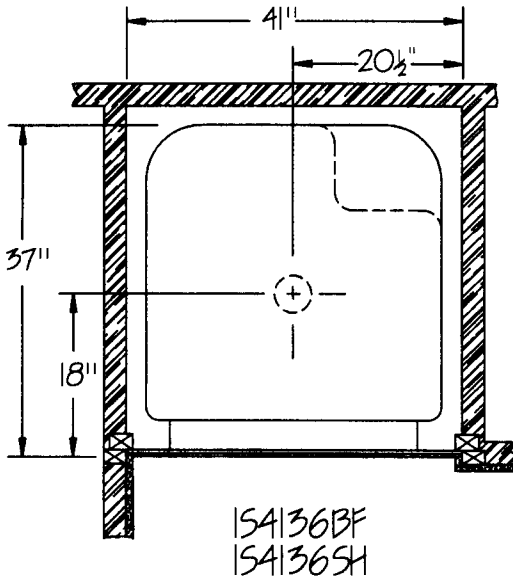
Depending On State & Local Fire Code Rating Standards, Be Sure To Allow For 5/8" Drywall In Alcove Of Rough-In Dimensions.



NOTE: MAKE ALLOWANCE TO GET UNIT INTO ROOM

NOTE:

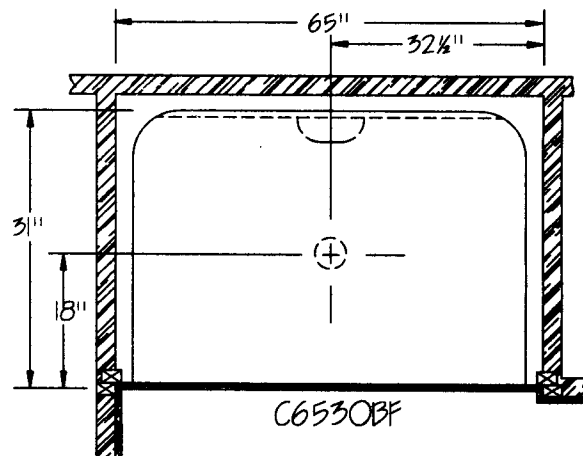
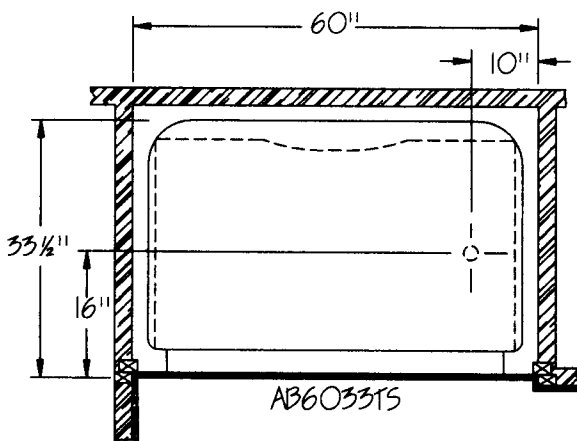
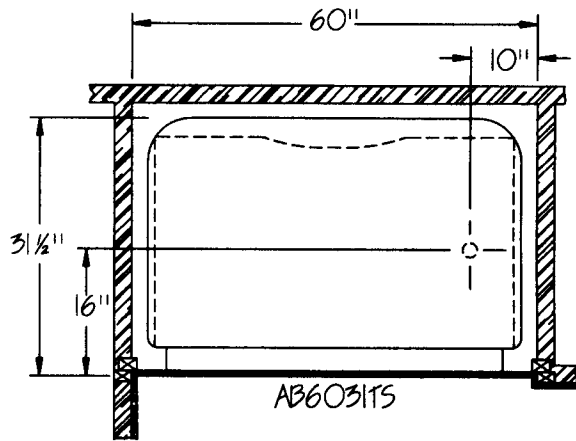
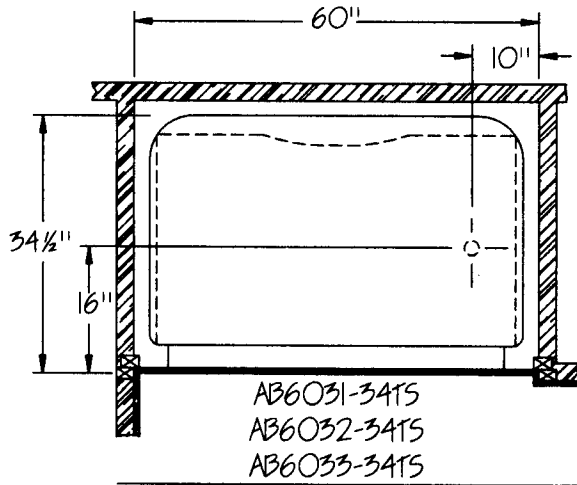
Depending On State & Local Fire Code Rating Standards, Be Sure To Allow For 5/8" Drywall In Alcove Of Rough-In Dimensions.



NOTE: MAKE ALLOWANCE TO GET UNIT INTO ROOM

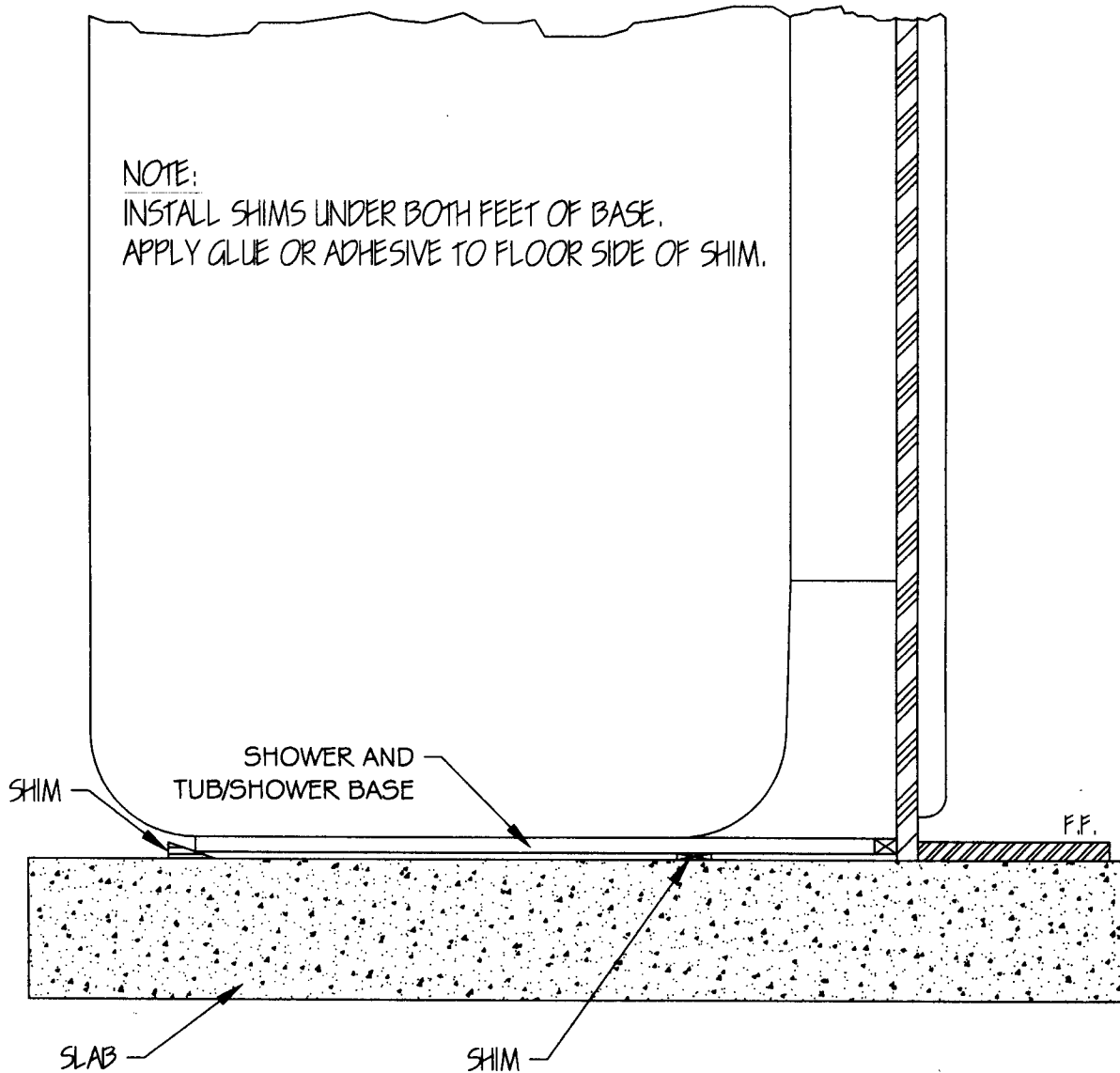
**Page ID-13
Rough In and Drain Location Dimensions**

NOTE:
 Depending On State & Local Fire Code
 Rating Standards, Be Sure To Allow For
 5/8" Drywall In Alcove Of Rough-In Dimensions.



NOTE: MAKE ALLOWANCE TO GET UNIT INTO ROOM

Page ID-14
Rough In and Drain Location Dimensions



SHIM DETAIL FOR SHOWERS & TUB / SHOWERS

(Other Than Aqua Bath's Care Series ADA Compliant Units)

(See Pages ID-15, ID-16, ID-17, ID-18 and ID-19)

Page ID-15

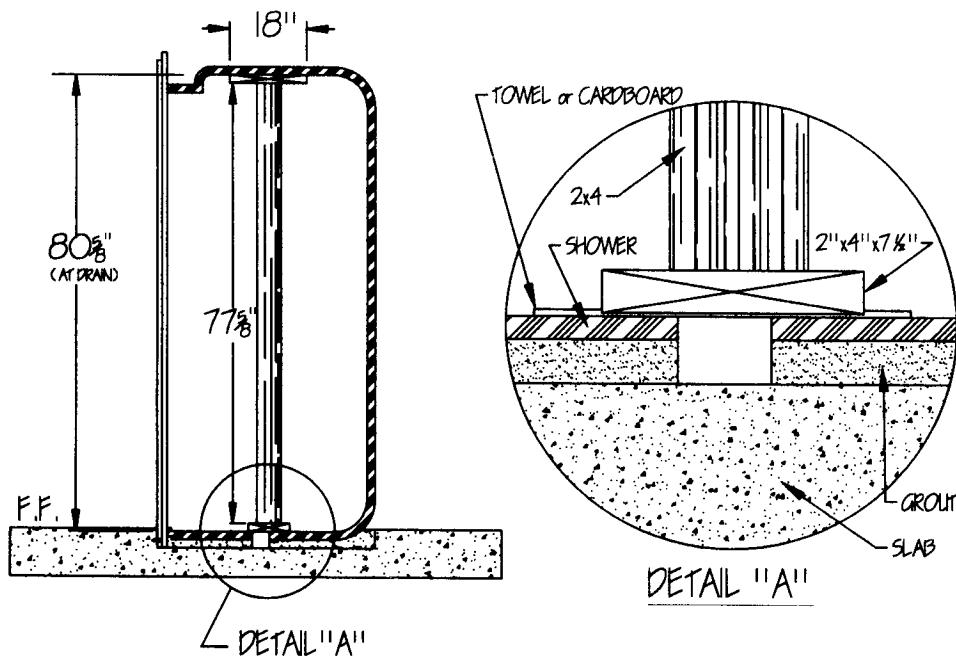
Typical Shimming Detail for Showers & Tub/Showers



INSTALLATION OF A C4136BF-FUS BARRIER FREE TRANSFER SHOWER UNIT

**BE SURE TO USE A NON-SHRINK GROUT
(MIX GROUT EXTRA WET)**

- Step#1 Measure Inside Height From Drain Sump To Top Of Unit. Unit Should Measure Between 80½" TO 80¾".
- Step#2 Cut 2x4 For Top Approximately 18". (Can Be Longer Providing Area On Top Is Flat).
- Step#3 Cut 2x4 For Drain 7½" Long.
- Step#4 Cut Bracing Member (2x4) To Length (Minus 3" For Drain & Top Members In Steps 2 & 3)
- Step#5 Place Unit In Grout Mixture.
- Step#6 Check Unit For Level & Plumb While Continually Working Unit Into Grout Bed.
- Step#7 Secure Unit To Framing Members.
- Step#8 Place Brace In Shower As Shown In Details Below. Be Sure To Place A Towel Between Unit And Wood So As Not To Scratch Acrylic.
- Step#9 Inspect Unit For High Spots In Bottom (Adjust Brace If Needed).
- Step#10 Leave Brace In Place Overnight To Allow Grout To Cure.
- Step#11 Remove Brace.



Page ID-16

Installation of a C4136BF-FUS Barrier Free Transfer Shower Unit

◆AQUA BATH COMPANY INC.◆921 Cherokee Ave.◆Nashville, TN 37207◆1-800-232-2284◆Fax (615) 227-9446◆

◆www.aquabath.com◆

10/03



**INSTALLATION OF A C6536BF 3/4" & C6536BF-FUS 3/4"
AND A C6530BF 3/4" & C6530BF-FUS 3/4"
BARRIER FREE ROLL-IN SHOWER UNIT**

**BE SURE TO USE A NON-SHRINK GROUT
(MIX GROUT EXTRA WET)**

- Step#1 Measure Inside Height From Drain Sump To Top Of Unit. Unit Should Measure Between 80½" TO 80¾".
- Step#2 Cut 2x4 For Top Approximately 18". (Can Be Longer Providing Area On Top Is Flat).
- Step#3 Cut 2x4 For Drain 7½" Long.
- Step#4 Cut Bracing Member (2x4) To Length (Minus 3" For Drain & Top Members In Steps 2 & 3)
- Step#5 Clean The Area Directly Below The Threshold (For Future Application Of Adhesive).
- Step#6 Place Unit In Grout Mixture.
- Step#7 Check Unit For Level & Plumb While Continually Working Unit Into Grout Bed.
- Step#8 Secure Unit To Framing Members.
- Step#9 Place Brace In Shower As Shown In Figure #1 Page ID-18. Be Sure To Place A Towel Between Unit And Wood So As Not To Scratch Acrylic.
- Step#10 Inspect Unit For High Spots In Bottom (Adjust Brace If Needed).
- Step#11 Secure Secondary Brace At Threshold Of Unit As Shown In Figure #2 Page ID-18.
- Step#12 Leave Braces In Unit Overnight Or For 24 Hours To Allow Grout Bed To Cure.
- Step#13 Remove Brace.

If Threshold Appears To Be Bowed At Flanges Even After Removing Braces, Follow These Extra Steps:

- Step#1 Clean The Area Directly Below The Threshold For Application Of Construction Adhesive Or Liquid Nails.
- Step#2 Apply A Generous Bead Of Construction Adhesive Directly Under The Threshold And Brace Into Place As Shown In Figure #2 Page ID-18.
- Step#3 Prepare Braces So As To Hold The Threshold In Place While The Adhesive Cures.

Page ID-17

Installation of a C6536BF 3/4" & C6536BF-FUS 3/4" Barrier Free Roll-In Shower Unit

◆AQUA BATH COMPANY INC.◆921 Cherokee Ave.◆Nashville, TN 37207◆1-800-232-2284◆Fax (615) 227-9446◆

◆www.aquabath.com◆

10/03

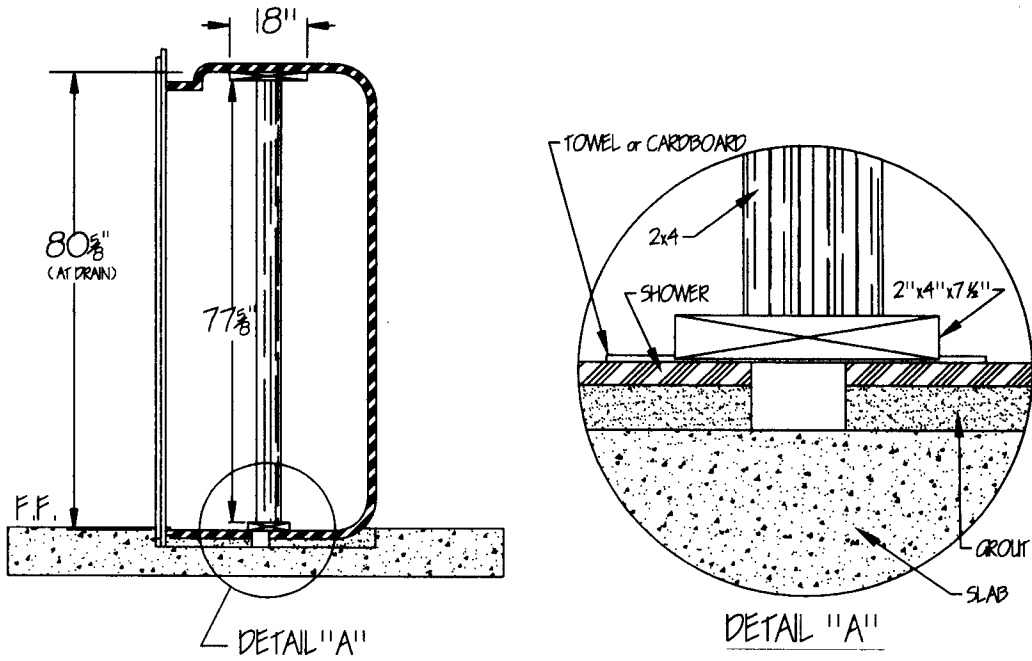


FIGURE #1

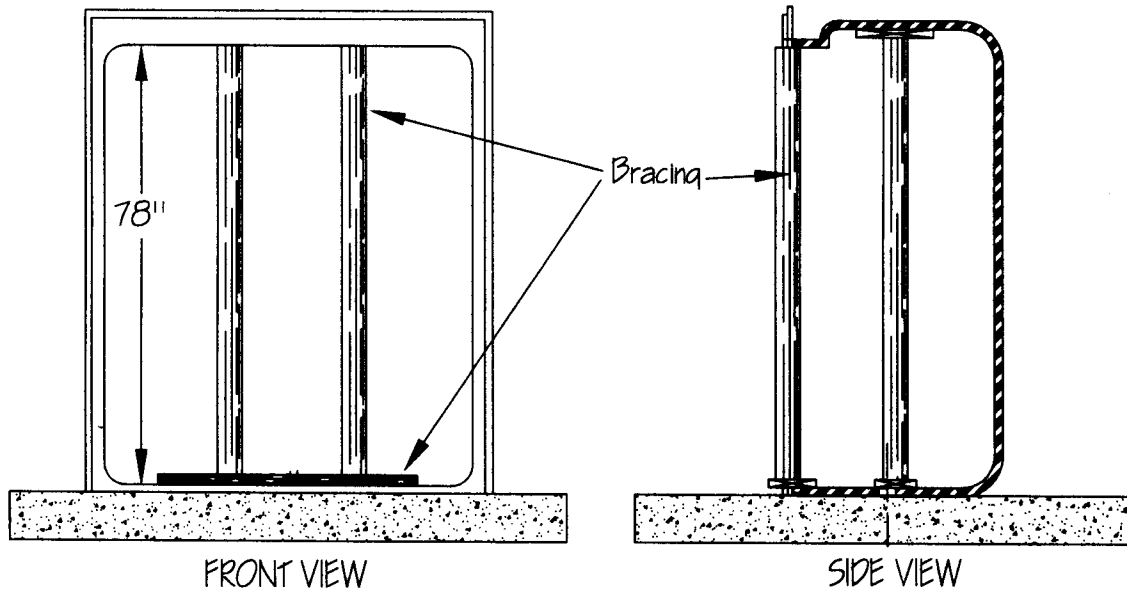


FIGURE #2

Page ID-18

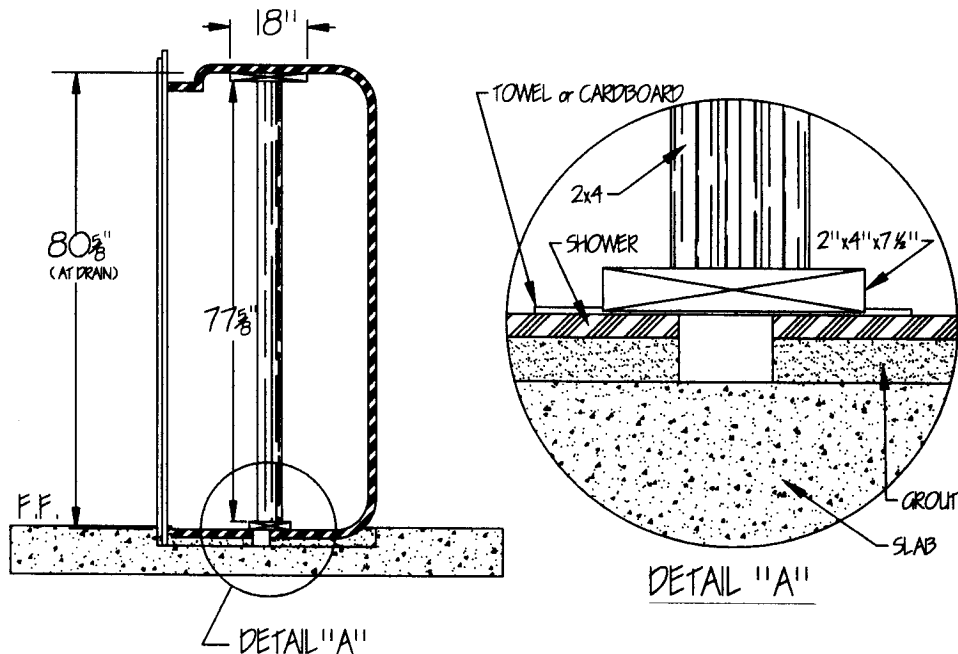
Details for a C6536BF 3/4" & C6536BF-FUS 3/4" Barrier Free Roll-In Shower Unit



**INSTALLATION OF A C6536BF 2" & C6536BF-FUS 2"
AND A C6530BF 2" & C6530BF-FUS 2"
BARRIER FREE ROLL-IN SHOWER UNIT**

**BE SURE TO USE A NON-SHRINK GROUT
(MIX GROUT EXTRA WET)**

- Step#1 Measure Inside Height From Drain Sump To Top Of Unit. Unit Should Measure Between $80\frac{1}{2}$ " TO $80\frac{3}{4}$ ".
- Step#2 Cut 2x4 For Top Approximately 18". (Can Be Longer Providing Area On Top Is Flat).
- Step#3 Cut 2x4 For Drain $7\frac{1}{2}$ " Long.
- Step#4 Cut Bracing Member (2x4) To Length (Minus 3" For Drain & Top Members In Steps 2 & 3)
- Step#5 Place Unit In Grout Mixture.
- Step#6 Check Unit For Level & Plumb While Continually Working Unit Into Grout Bed.
- Step#7 Secure Unit To Framing Members.
- Step#8 Place Brace In Shower As Shown In Details Below. Be Sure To Place A Towel Between Unit And Wood So As Not To Scratch Acrylic.
- Step#9 Inspect Unit For High Spots In Bottom (Adjust Brace If Needed).
- Step#10 Leave Brace In Place Overnight To Allow Grout To Cure.
- Step#11 Remove Brace.



Page ID-19

Installation of a C6536BF 2" & C6536BF-FUS 2" Barrier Free Roll-In Shower Unit

◆AQUA BATH COMPANY INC.◆921 Cherokee Ave.◆Nashville, TN 37207◆1-800-232-2284◆Fax (615) 227-9446◆

10/03

◆www.aquabath.com◆