



OPEN TOP UNIT INSTALLATION TABLE OF CONTENTS

General Installation Requirements	OT-1
Top of Slab Installation	
• 3/4" Threshold - (New Construction)	OT-2
• 3/4" Threshold - (Remodeling)	OT-3
• Typical Floor Float for 3/4" Threshold	OT-4
Pit Details	
• Typical Pit Installation for 3/4" Threshold	OT-5
• Typical Pit Installation for 2" Threshold	OT-6
Framing Details, Rough In and Drain Location Dimensions	
• Shower Enclosure Details (Wood Studs)	OT-7
• Shower Enclosure Details (Metal Studs)	OT-8
• Tub/Shower Enclosure Details (Wood Studs)	OT-9
• Tub/Shower Enclosure Details (Metal Studs)	OT-10
• Corner Shower Enclosure Details (Wood Studs)	OT-11
• Corner Shower Enclosure Details (Metal Studs)	OT-12
Setting Units in Place	
• Typical Shimming Detail for Open Top Showers & Tub/Showers	OT-13
• Installation of a Barrier Free Open Top Shower Unit	OT-14

Open Top Unit Installation Table of Contents



GENERAL INSTALLATION REQUIREMENTS

Open Top Shower Units

NOTE: Only 3/4" threshold units require "chip out", grout and brace.

Top of Slab Installation (Reference Pages OT-2 and OT-3)

1. Slab should have a 10" diameter x 1/2" deep "chip out" area for the drain sump.
The "chip out" area should be centered with the shower drain location.

Framing (Reference Pages OT-7, OT-8, OT-9, OT-10, OT-11 and OT-12)

1.A. Shower Enclosures:

Alcove for *shower units* should have an opening as follows (also see Figure 1, Pages OT-7 & 8).

Allow for a variance of 1/4" (+/-) on all dimensions.

<u>Model #</u>	<u>Alcove Opening</u>
C4136BF-OT	39" wide x 37 1/4" deep
C6536BF-OT	63" wide x 37 1/4" deep
C6530BF-OT	63" wide x 31 1/4" deep
IS4136BF-OT	39" wide x 37 1/4" deep
IS4136SH-OT	39" wide x 37 1/4" deep
IS4836BF-OT	46" wide x 37 1/4" deep
IS4836SH-OT	46" wide x 37 1/4" deep

1.B. Tub/Shower Enclosures:

Alcove for *tub units* should have an opening as follows (also see Figure 1, Pages OT-9 & 10).

Allow for a variance of 1/4" (+/-) on all dimensions.

<u>Model #</u>	<u>Alcove Opening</u>
C6032TS-OT	58" wide x 32 3/4" deep
AB6032TS-OT	58" wide x 32 3/4" deep

1.C. Corner Shower Enclosure (Model #IS4836SH-CRNR-OT):

Alcove for *corner shower unit* should have an opening as shown in Figure 1, Pages OT-11 & 12.

Allow for a variance of 1/4" (+/-) on all dimensions.

2. Give attention to front framing detail so as to allow for the nailing flange (see Detail A).

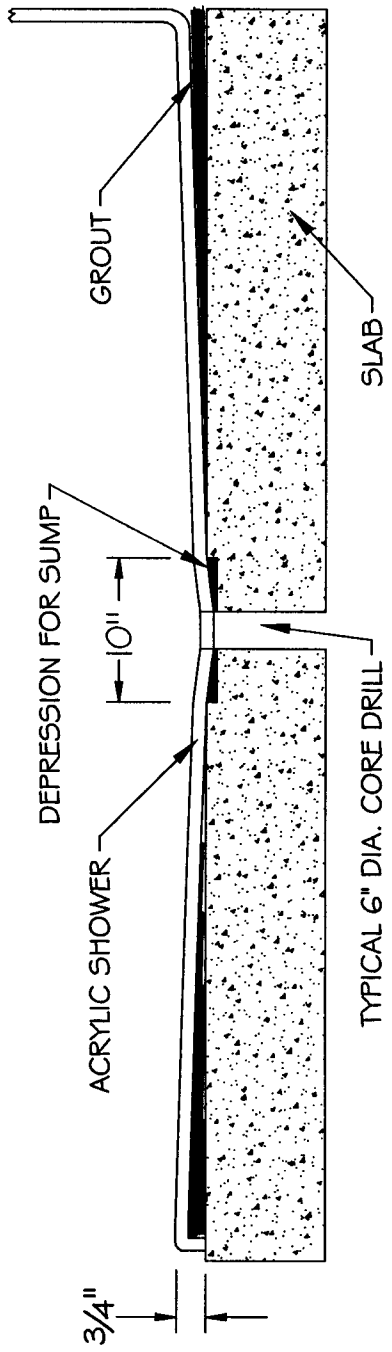
Shower Installation:

1. Provide a grout slurry to place the shower unit on top of in order to give the bottom positive contact with the floor. Grout should also be applied to the 10" "chip out" area. Use enough grout to securely support the unit, but not so much that it displaces the natural shape of unit bottom (see Page OT-2)
2. After proper bracing (see Page OT-14), use screws to attach the front of the unit to the framing.
Important Note: Since the unit's walls flex, keep the support strut in unit during installation.
3. Drill pilot holes in the unit's top nailing flanges prior to attaching the unit to the surrounding framing members with screws.

Preparation for Drywall (Reference Figure 2, Pages OT-7, OT-8, OT-9, OT-10, OT-11 & OT-12)

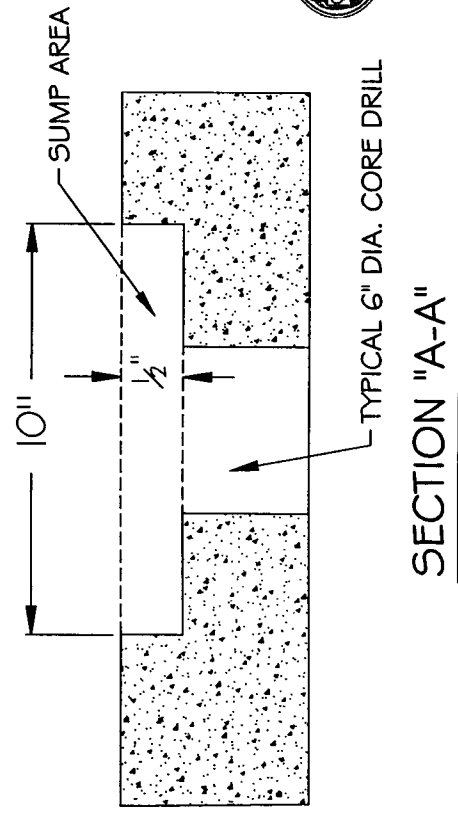
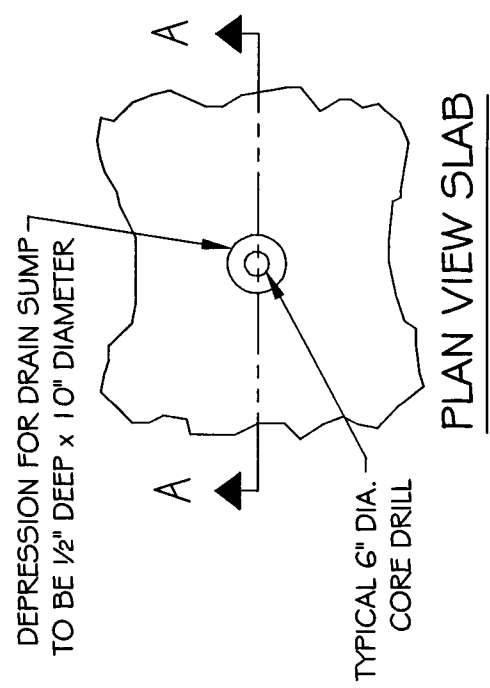
1. 3/4" furring strips are recommended for above the unit's top nailing flange. The furring strips can be installed horizontally or vertically.
2. With a proper installation, the drywall covering the front nailing flanges should match up with the drywall above the unit's sidewalls.

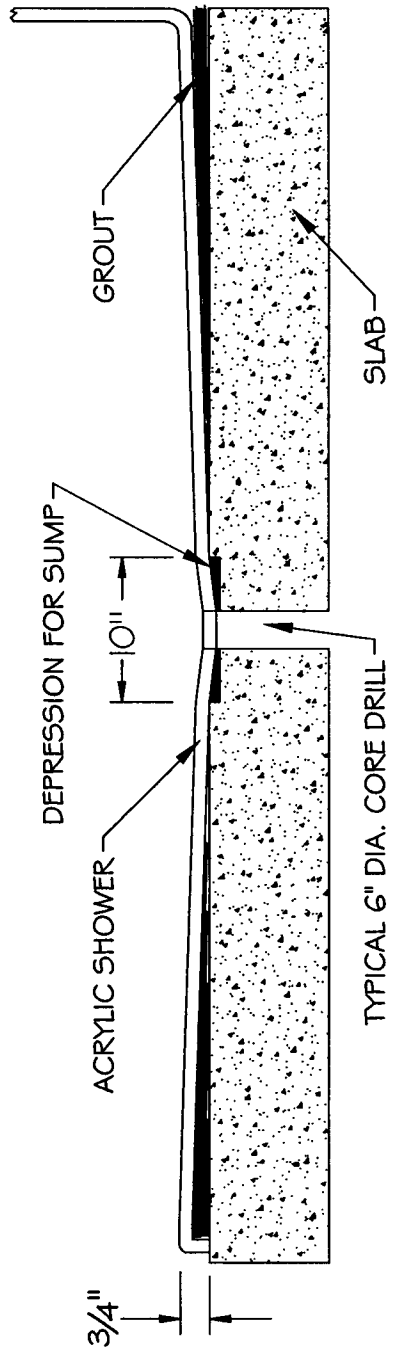
General Note: All installations can have unique circumstances. The above instructions are for recommendations only. The final installation procedure is at the discretion of the owner/installer of the unit. Our customer service staff is available to answer any questions that may arise. We can be reached at 1-800-232-2284.



TOP OF SLAB INSTALLATION

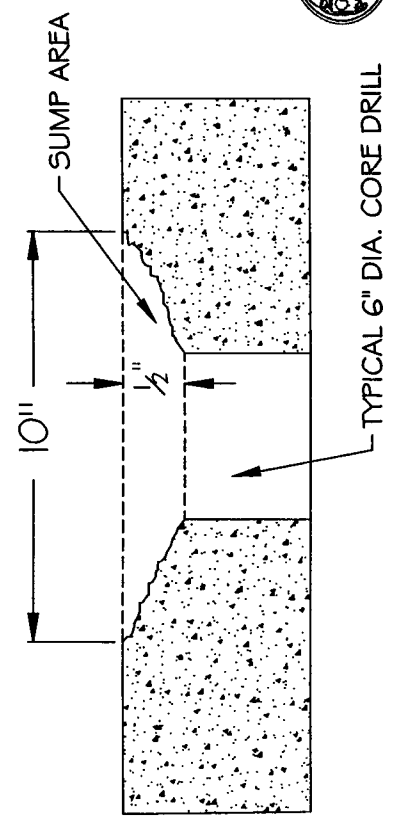
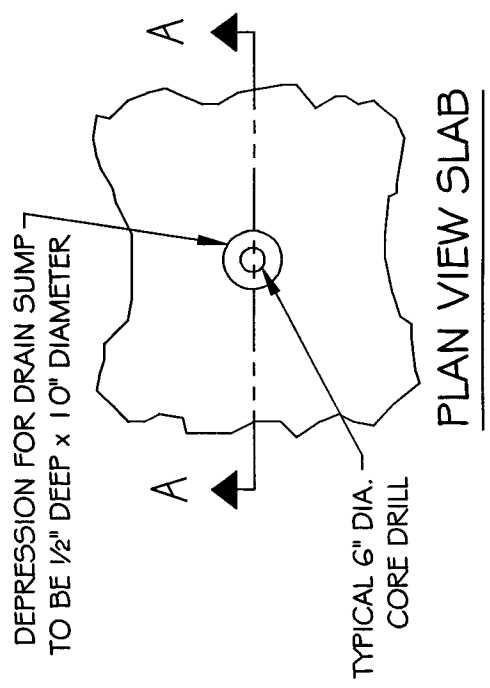
FOR 3/4" THRESHOLD



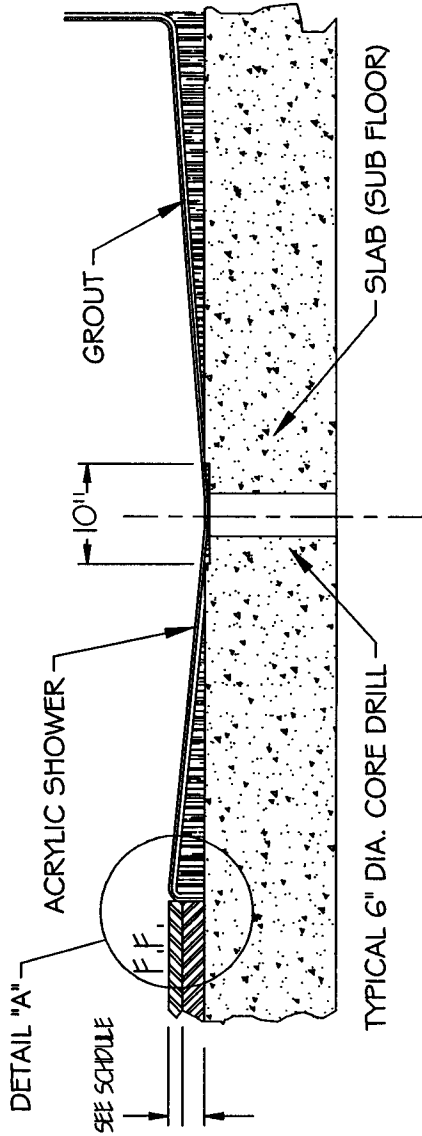


TOP OF SLAB INSTALLATION

FOR 3/4" THRESHOLD

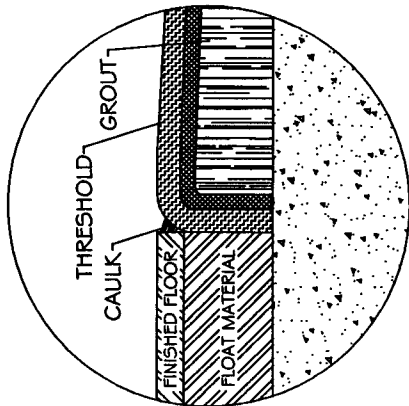


SECTION "A-A"
FOR REMODELING

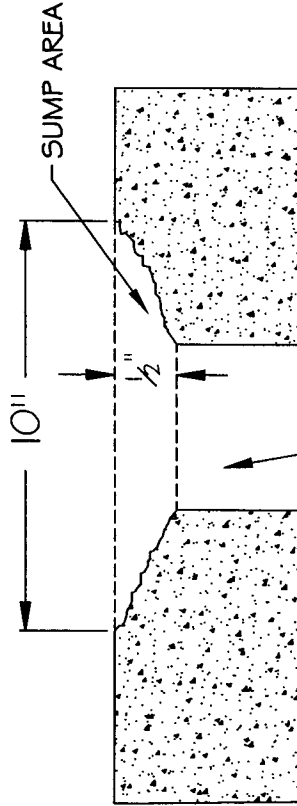


TYPICAL FLOOR FLOAT

TO MAKE A 3/4" THRESHOLD FLUSH WITH FINISH FLOOR



DETAIL "A"

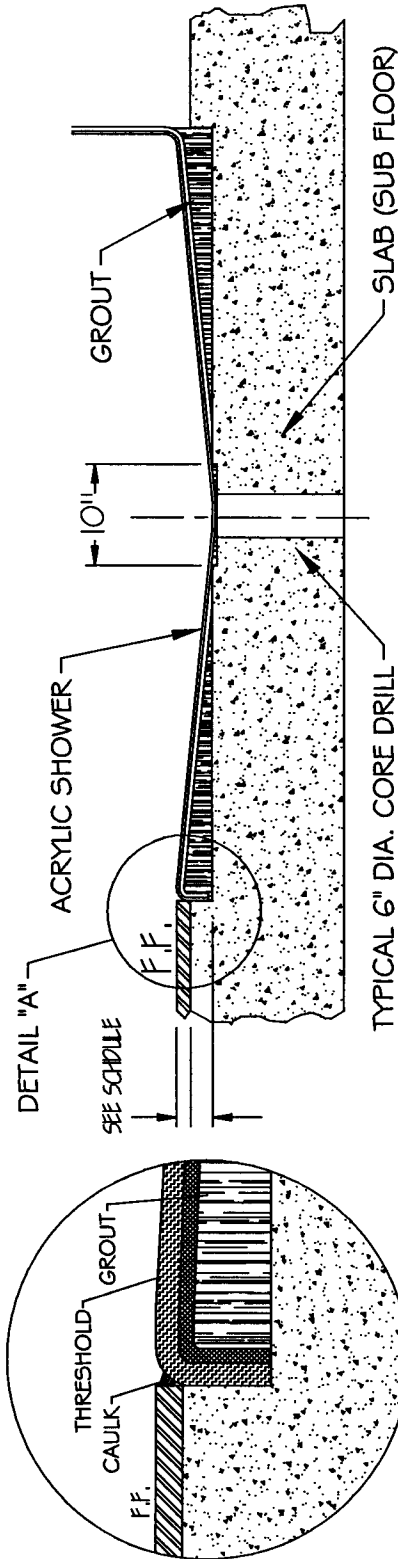


TYPICAL 6" DIA. CORE DRILL

CHIP OUT FOR DRAIN

TO MAKE A 3/4" THRESHOLD FLUSH WITH FINISH FLOOR MATERIAL	
THICKNESS OF F.F. MATERIAL	SUGGESTED FLOOR FLOAT
Up To 1/8"	3/4"
1/4"	1/2"
1/2"	1/4"

NOTE: ARCHITECT/ENGINEER IS RESPONSIBLE FOR DETERMINING PROPER DEPTH OF FLOAT MATERIAL BASED ON FINISH FLOOR MATERIAL

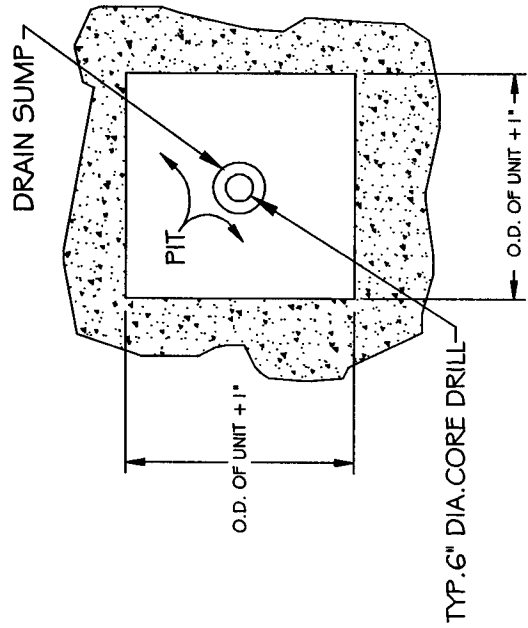


TYPICAL PIT INSTALLATION

TO MAKE A 3/4" THRESHOLD FLUSH WITH FINISH FLOOR
 C4136BF-FUS (Transfer Showers) Allows A 1/2" Variance Between Finish Floor & Top Of Threshold.

DETAIL "A"

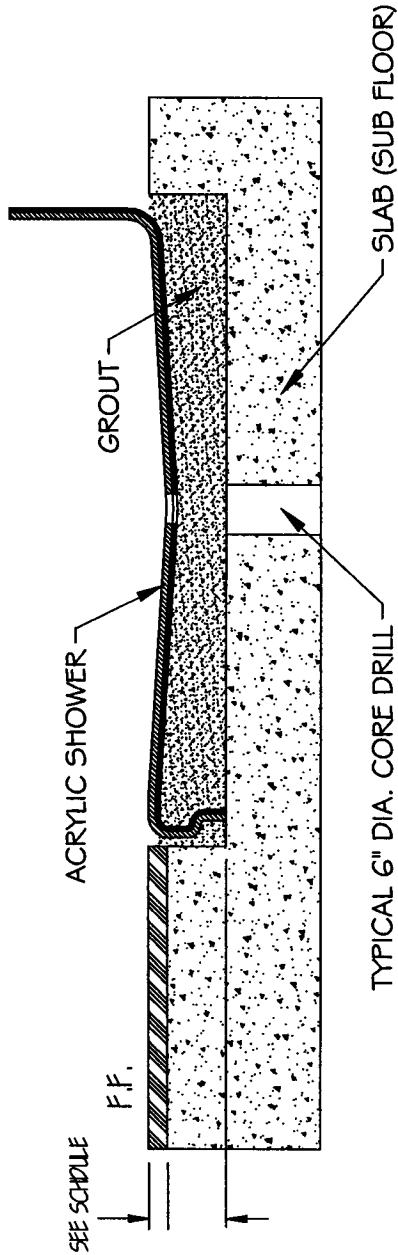
Note:
 C4136BF-FUS (Transfer Showers) Allows A 1/2" Variance Between Finish Floor & Top Of Threshold.



PIT DIMENSIONS

TO MAKE A 3/4" THRESHOLD FLUSH WITH FINISH FLOOR MATERIAL	
THICKNESS OF F.F. MATERIAL	SUGGESTED PIT DEPTH
Up To 1/8"	3/4"
1/4"	1/2"
1/2"	1/4"

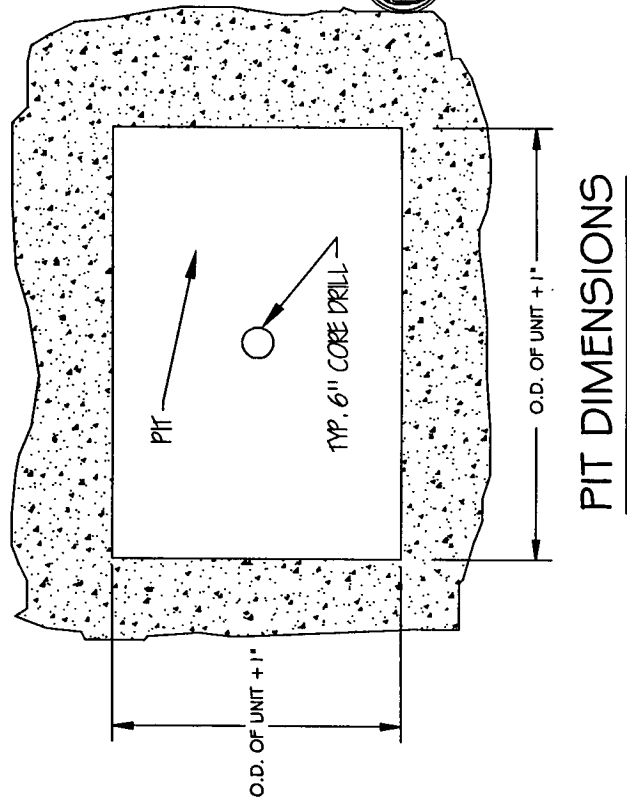
NOTE: ARCHITECT/ENGINEER IS RESPONSIBLE FOR DETERMINING PROPER PIT DEPTH BASED ON FINISH FLOOR MATERIAL



TYPICAL PIT INSTALLATION

TO MAKE A 2" THRESHOLD FLUSH WITH FINISH FLOOR

Note:
 C6536BF & C6536BF-FUS (Roll-In Showers) Must Be Flush With Finish Floor To Meet ADAAG Compliance.
 C4136BF-FUS (Transfer Showers) Allows A 1/2" Variance Between Finish Floor & Top Of Threshold.



TO MAKE A 2" THRESHOLD FLUSH WITH FINISH FLOOR MATERIAL	
THICKNESS OF F.F. MATERIAL	SUGGESTED PIT DEPTH
Up To 1/8"	2"
1/4"	1 3/4"
1/2"	1 1/2"

NOTE: ARCHITECT/ENGINEER IS RESPONSIBLE FOR DETERMINING PROPER PIT DEPTH BASED ON FINISH FLOOR MATERIAL

Shower Enclosure Details (Wood Studs)

Figure 1

MODEL #	A	B	C	D
C4136BF-OT	37 1/4"	39"	18"	19 1/2"
C6536BF-OT	37 1/4"	63"	18"	31 1/2"
C6530BF-OT	31 1/4"	63"	18"	31 1/2"
IS4136BF-OT	37 1/4"	39"	18"	19 1/2"
IS4136SH-OT	37 1/4"	39"	18"	19 1/2"
IS4836BF-OT	37 1/4"	46 1/4"	18"	23"
IS4836SH-OT	37 1/4"	46 1/4"	18"	23"

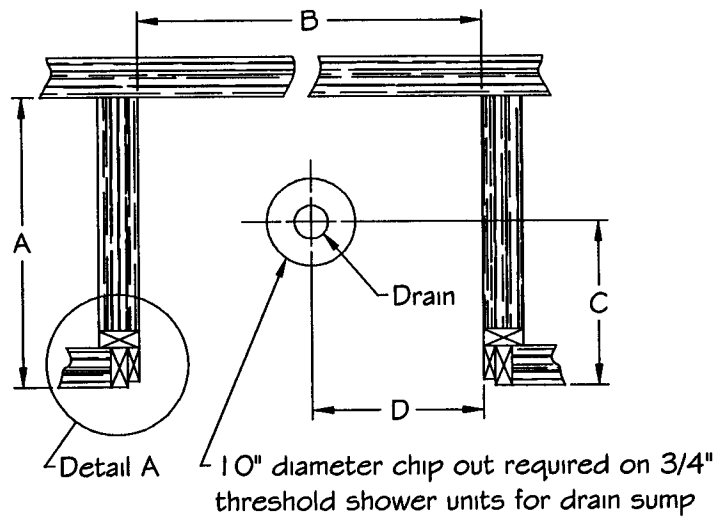
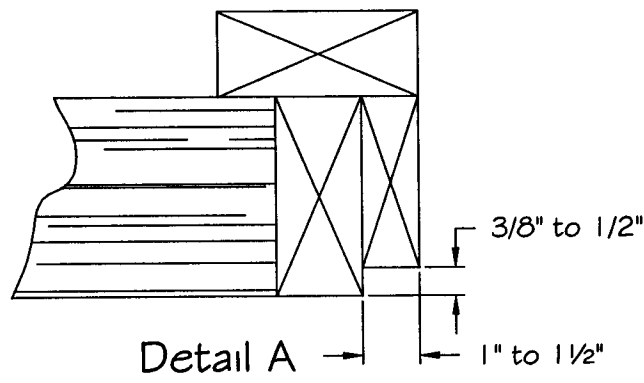
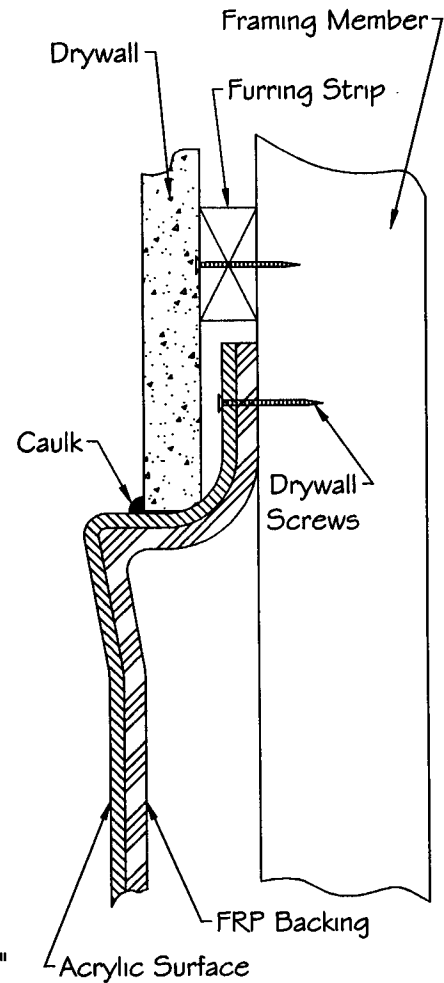


Figure 2



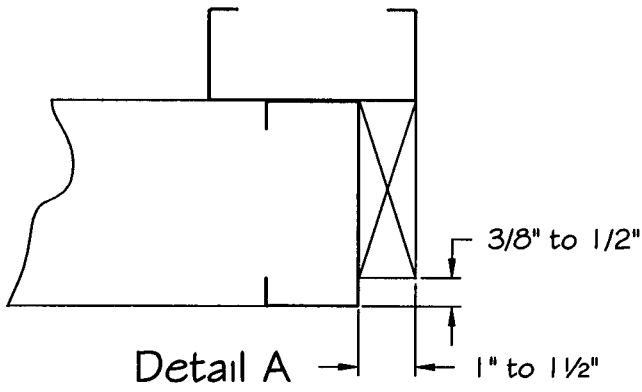
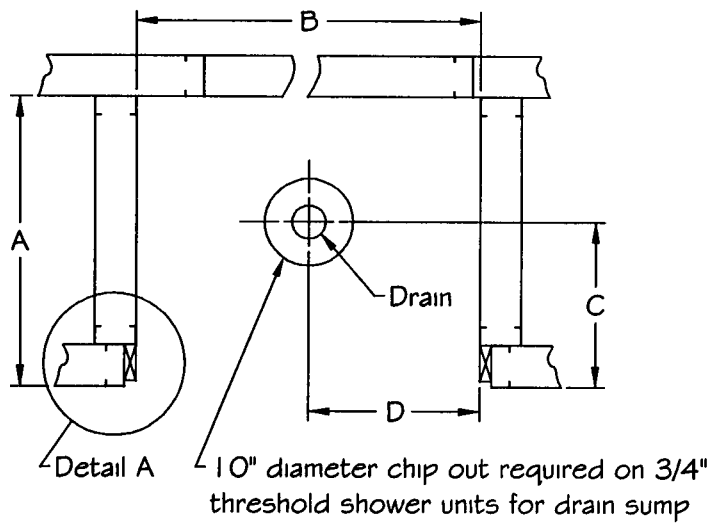
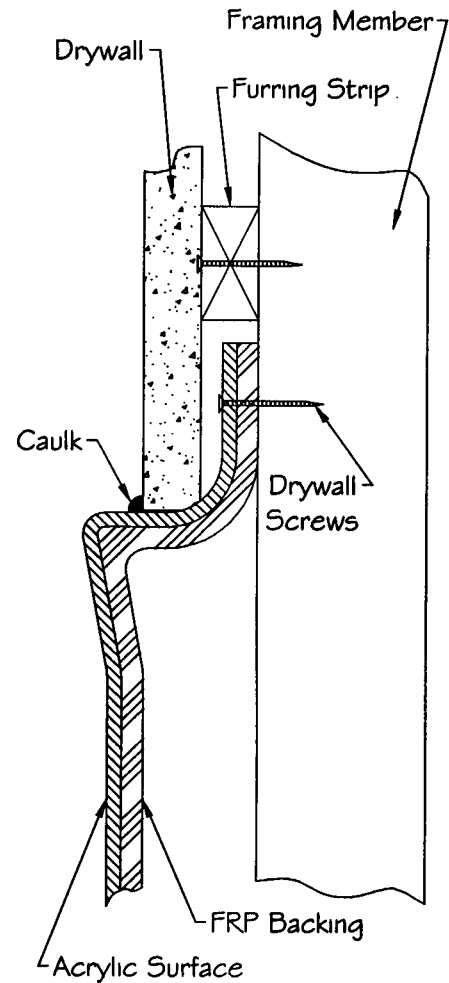


Shower Enclosure Details (Metal Studs)

Figure 1

MODEL #	A	B	C	D
C4136BF-OT	37¼"	39"	18"	19½"
C6536BF-OT	37¼"	63"	18"	31½"
C6530BF-OT	31¼"	63"	18"	31½"
IS4136BF-OT	37¼"	39"	18"	19½"
IS4136SH-OT	37¼"	39"	18"	19½"
IS4836BF-OT	37¼"	46¼"	18"	23"
IS4836SH-OT	37¼"	46¼"	18"	23"

Figure 2



Tub/Shower Enclosure Details (Wood Studs)

Figure 1

MODEL #	A	B	C	D
C6032TS-OT	32 3/4"	58"	15 1/4"	9 3/4"
AB6032TS-OT	32 3/4"	58"	15 1/4"	9 3/4"

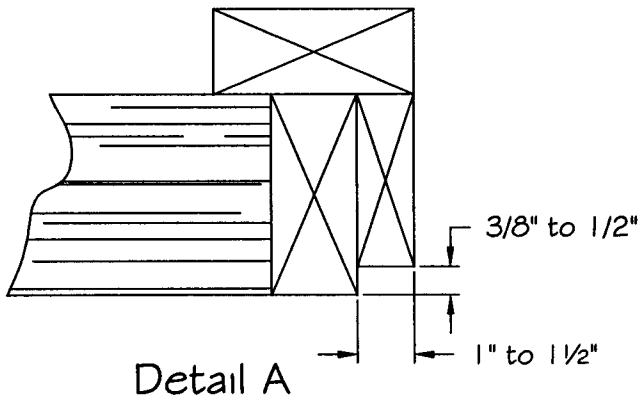
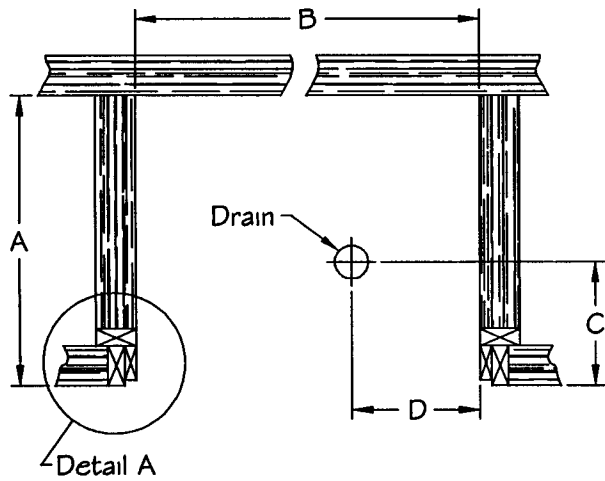
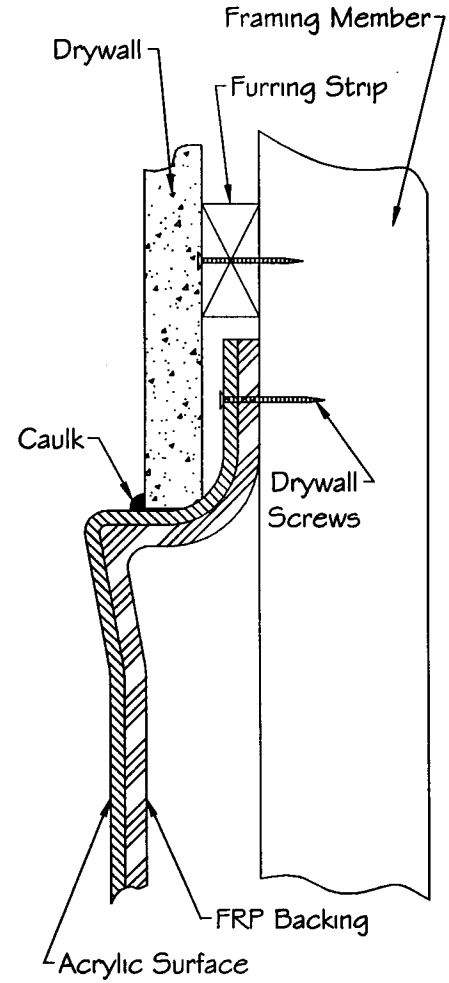


Figure 2





Tub/Shower Enclosure Details (Metal Studs)

Figure 1

MODEL #	A	B	C	D
CG032TS-OT	32 ³ / ₄ "	58"	15 ¹ / ₄ "	9 ³ / ₄ "
AB6032TS-OT	32 ³ / ₄ "	58"	15 ¹ / ₄ "	9 ³ / ₄ "

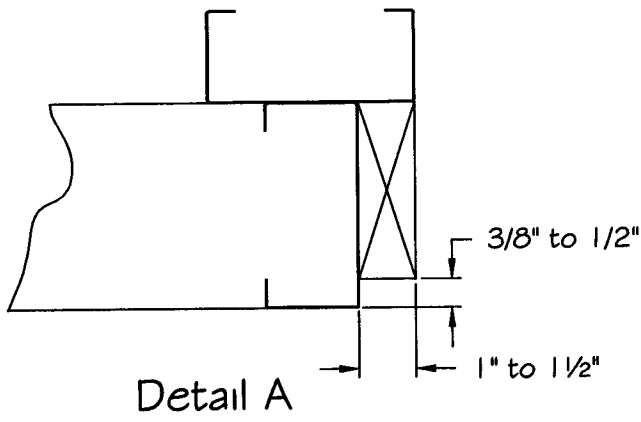
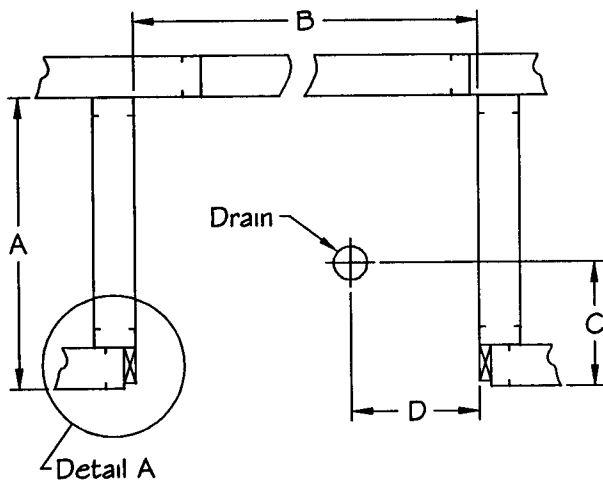
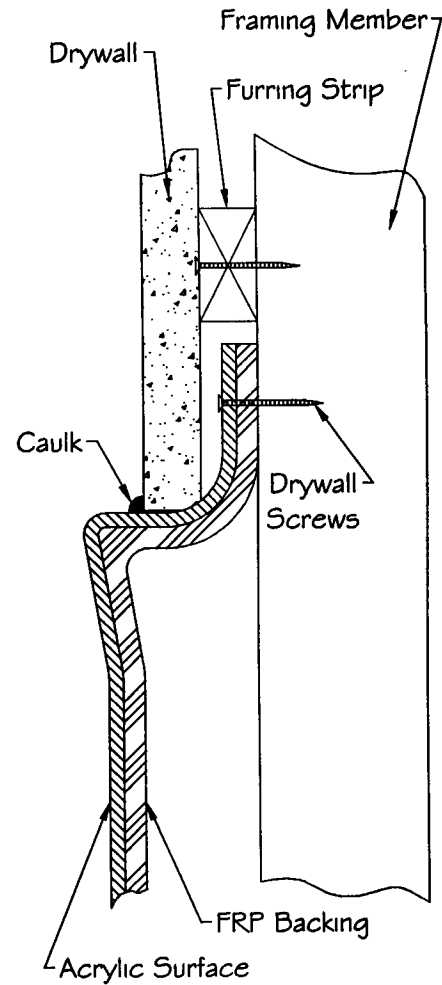


Figure 2

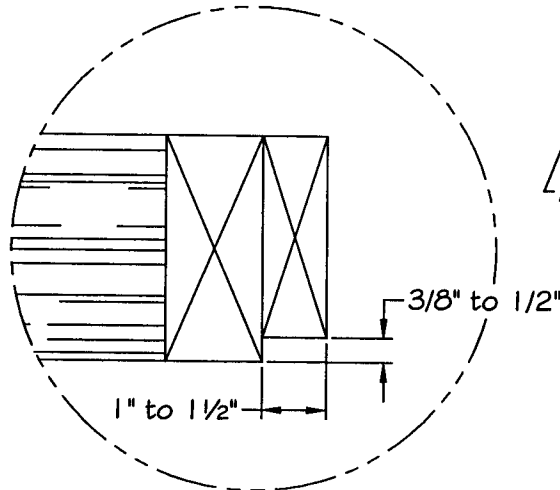
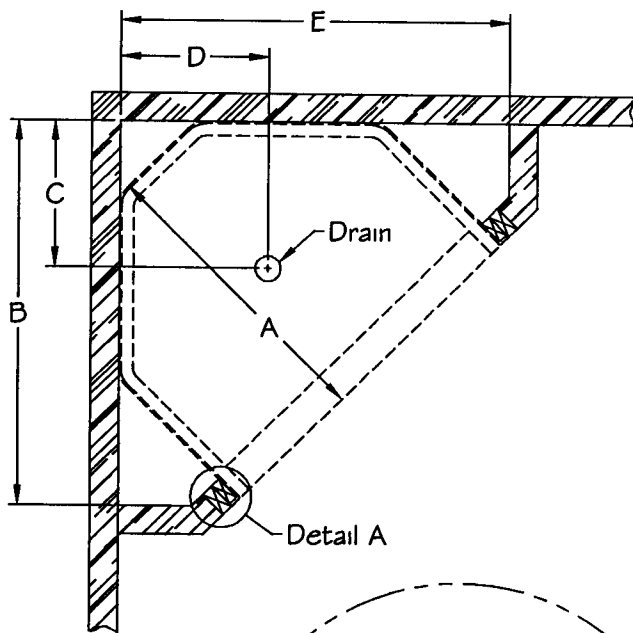




Corner Shower Enclosure Details (Wood Studs)

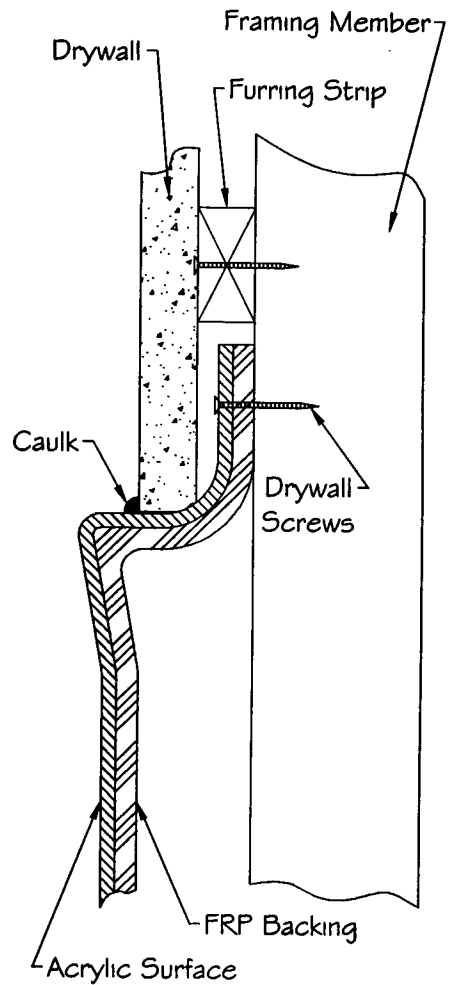
Figure 1

MODEL #	A	B + E	C + D
IS4836SH-CRNR-OT	37 1/4"	48"±	18"±



Detail A

Figure 2

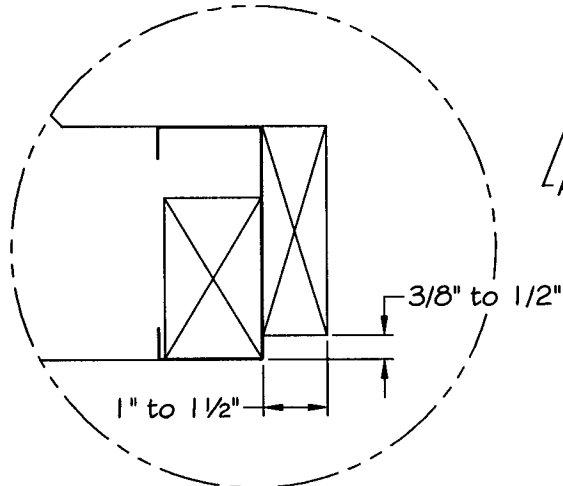
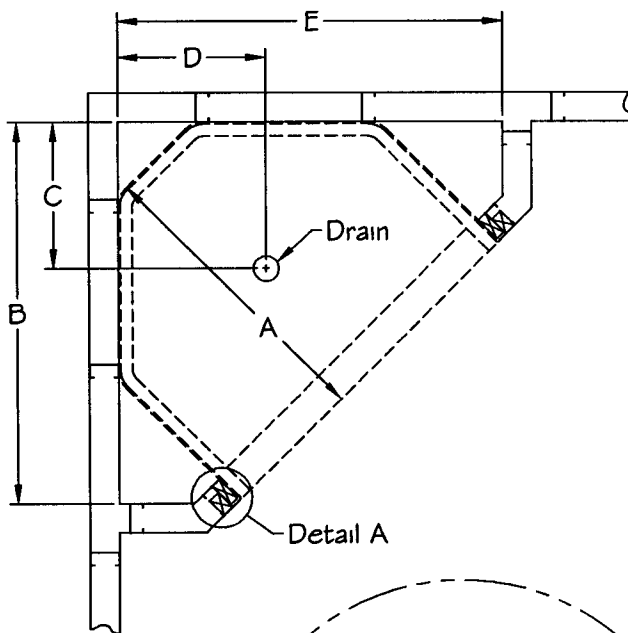




Corner Shower Enclosure Details (Metal Studs)

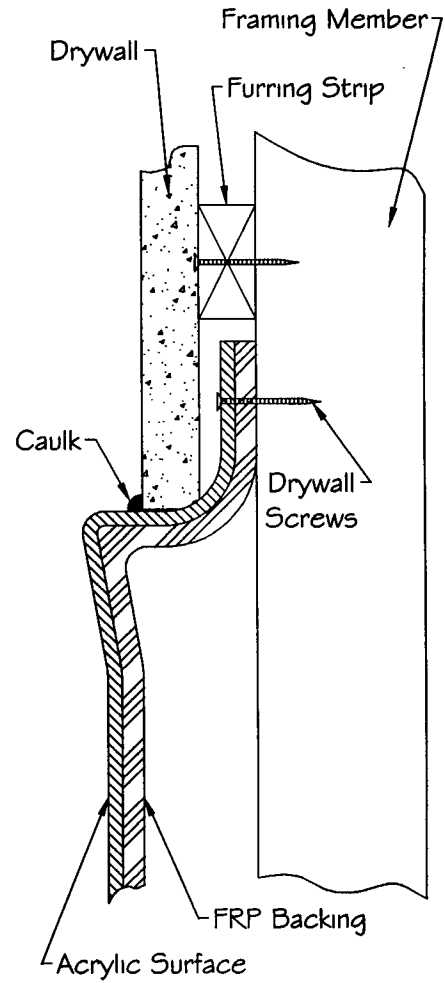
Figure 1

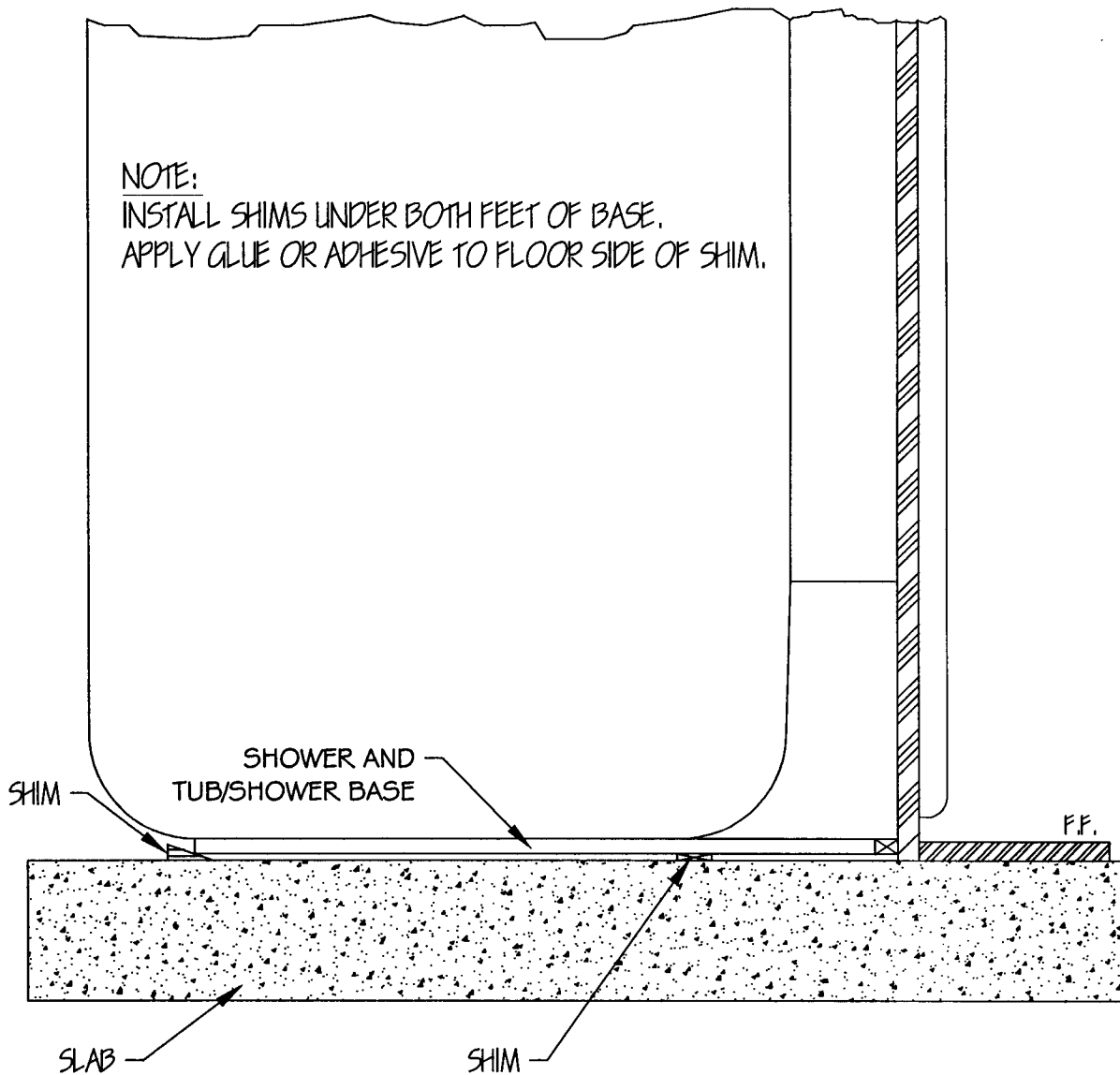
MODEL #	A	B + E	C + D
154836SH-CRNR-OT	37 1/4"	48"±	18"±



Detail A

Figure 2





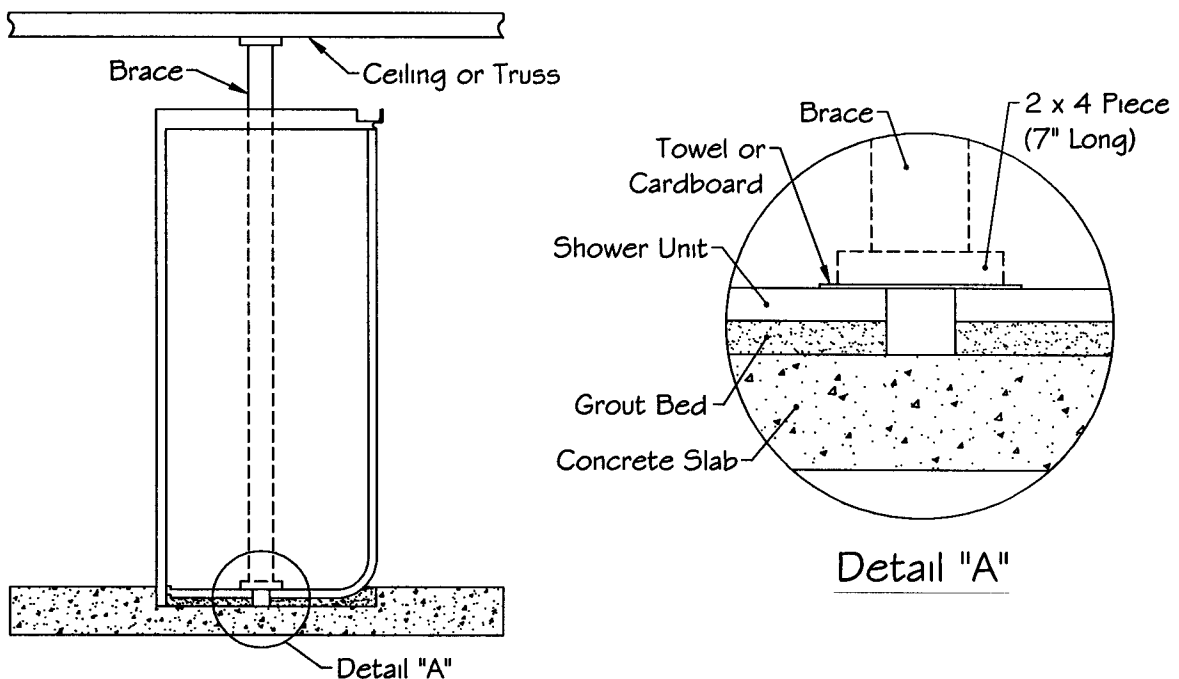
Shim Detail For Open Top Showers & Open Top Tub/ Showers



INSTALLATION OF A BARRIER FREE OPEN TOP SHOWER UNIT

**BE SURE TO USE A NON-SHRINK GROUT
(MIX GROUT EXTRA WET)**

- Step#1 Place Unit Into Alcove And Onto Grout Bed.
- Step#2 Check Unit For Level & Plumb While Continually Working Unit Into Grout Bed.
- Step#3 Place A Piece Of 2x4 (7" Long) On The Bottom Of The Unit. Be Sure To Place A Towel Or Cardboard Between Unit And Wood So As Not To Scratch Acrylic.
- Step#4 Place A Brace Between The 7" Long Piece Of 2x4 And A Ceiling Member. This Will Assure Positive Contact With The Floor While Also Placing The Drain Sump In Its Proper Position.
- Step#5 Inspect Unit For High Spots In Bottom (Adjust Brace If Needed).
- Step#6 Secure The Face Of The Unit To Framing Members. Wait Until Grout Has Cured Before Anchoring The Back And Top Side Wall Nailing Flanges.
- Step#7 Leave Brace In Place Overnight To Allow Grout To Cure.
- Step#8 Remove Brace.



Page OT-14

Installation of a Barrier Free/Open Top Shower Unit

◆AQUA BATH COMPANY INC.◆921 Cherokee Ave.◆Nashville, TN 37207◆1-800-232-2284◆Fax (615) 227-9446◆

◆www.aquabath.com◆

04/04